

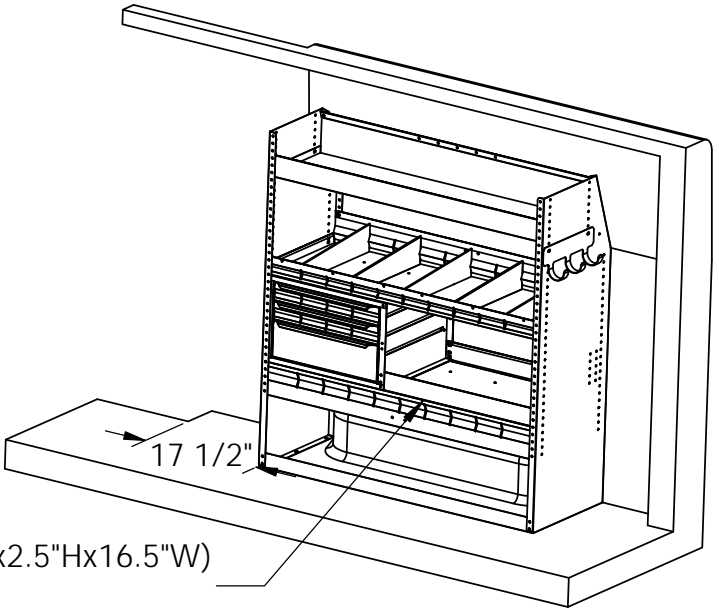
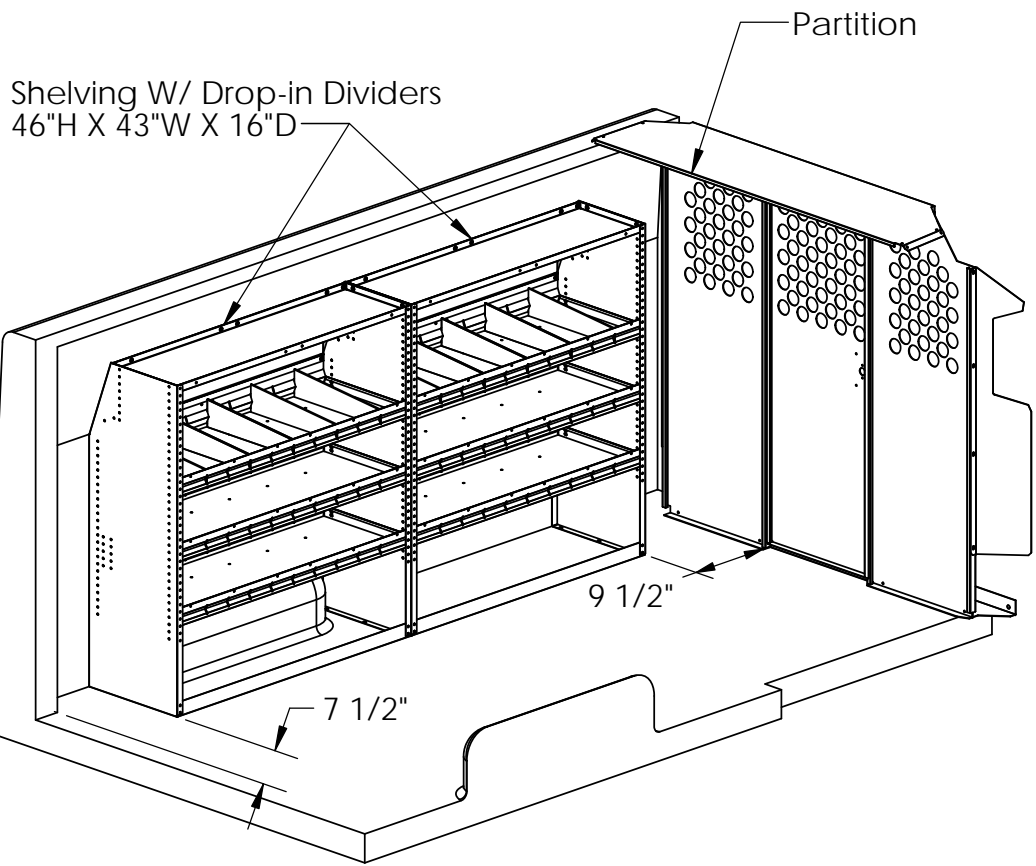
HARBOR TRUCK BODIES

PLUS PACKAGE & PARTITION

FOR 130" WHEEL BASE FORD TRANSIT WITH LOW ROOF

REV	DWG	DATE	CHANGE DESCRIPTION
1	KB	05/26/15	CREATED PRINT
2	KB	02/08/16	ADDED RETAINER LIP & NEW DRAWER ASSY.
3	KB	01/27/21	REMOVED SIDE NOTCH.

THE INFORMATION CONTAINED IN THIS DRAWING IS THE SOLE PROPERTY OF HARBOR TRUCK BODIES. ANY REPRODUCTION IN PART OR WHOLE WITHOUT THE WRITTEN PERMISSION OF HARBOR TRUCK BODIES IS PROHIBITED.



UNLESS OTHERWISE SPECIFIED
DIMENSIONS ARE IN INCHES
TOLERANCES ARE:
DECIMALS ANGLES FRACTIONS
X = +/- .1 X = +/- 1° +/- 1/32"
.XX = +/- .03

SIZE	DESCRIPTION	FINISH	DRAWN	DATE
A	Harbor Van Transit Plus Package	Epoxy Prime	KB	03/23/16
Interior Weight	390 lbs			

PACKAGE PART NUMBERS:
HVTSD-L
INSTALLED - 4.3 HRS

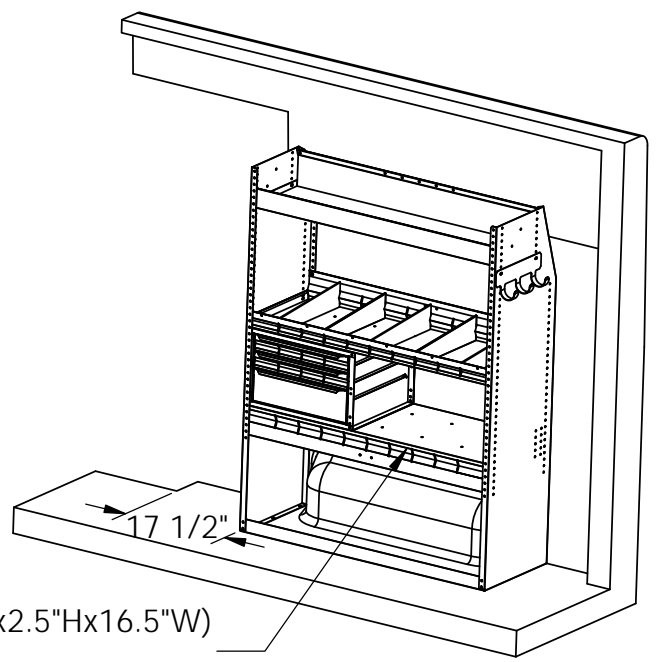
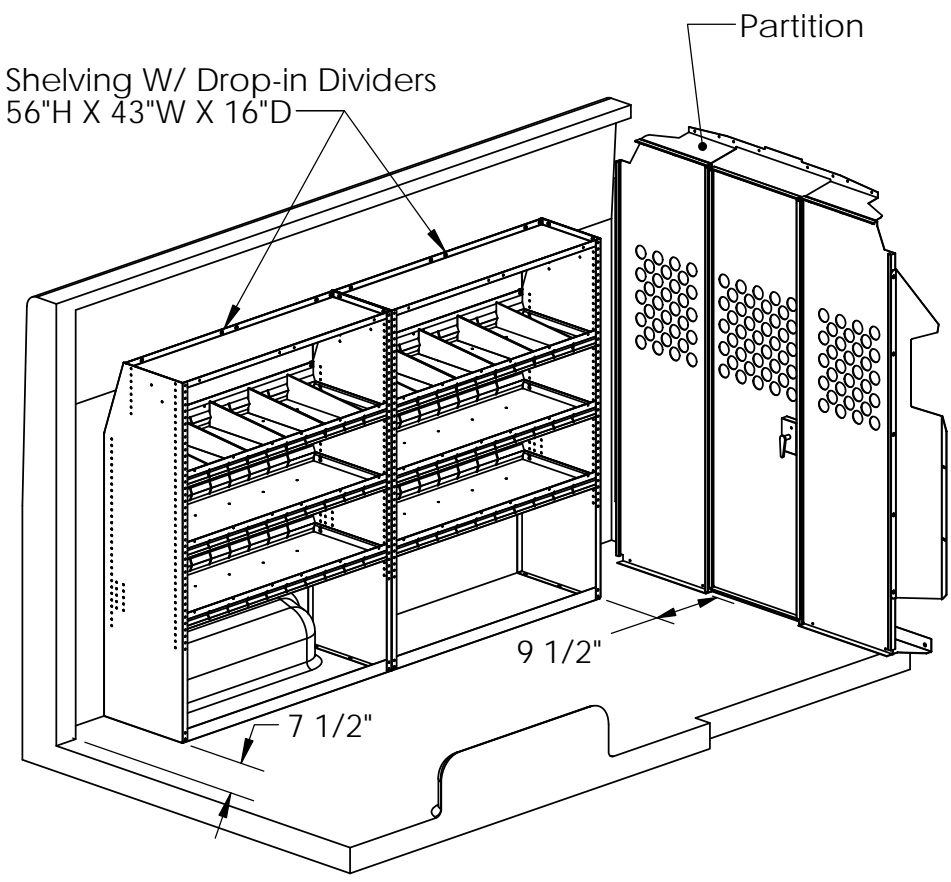
HARBOR TRUCK BODIES

PLUS PACKAGE & PARTITION

FOR 130" WHEEL BASE FORD TRANSIT WITH MEDIUM ROOF

REV	DWG	DATE	CHANGE DESCRIPTION
1	KB	05/26/15	CREATED PRINT
2	KB	02/08/16	ADDED RETAINER LIP & NEW DRAWER ASSY.
3	KB	01/27/21	REMOVED SIDE NOTCH.

THE INFORMATION CONTAINED IN THIS DRAWING IS THE SOLE PROPERTY OF HARBOR TRUCK BODIES. ANY REPRODUCTION IN PART OR WHOLE WITHOUT THE WRITTEN PERMISSION OF HARBOR TRUCK BODIES IS PROHIBITED.



UNLESS OTHERWISE SPECIFIED
DIMENSIONS ARE IN INCHES
TOLERANCES ARE:
DECIMALS ANGLES FRACTIONS
X = +/- .1 X = +/- 1° +/- 1/32"
.XX = +/- .03

SIZE	DESCRIPTION	FINISH	DRAWN	DATE
A	Harbor Van Transit Plus Package	Epoxy Prime	KB	03/23/16
Interior Weight	406 lbs			

PACKAGE PART NUMBERS:
HVTSD-M
INSTALLED - 4.3 HRS

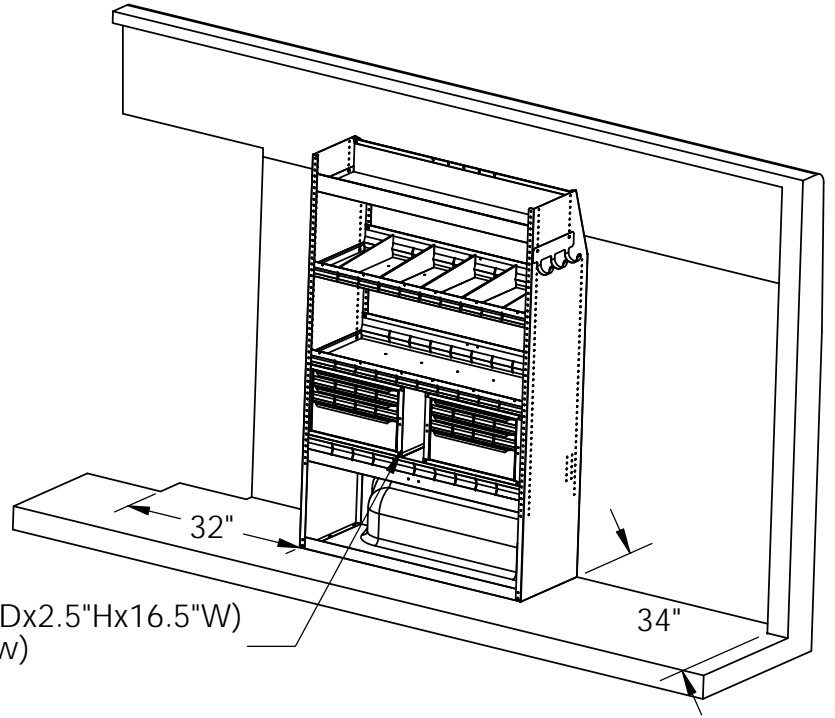
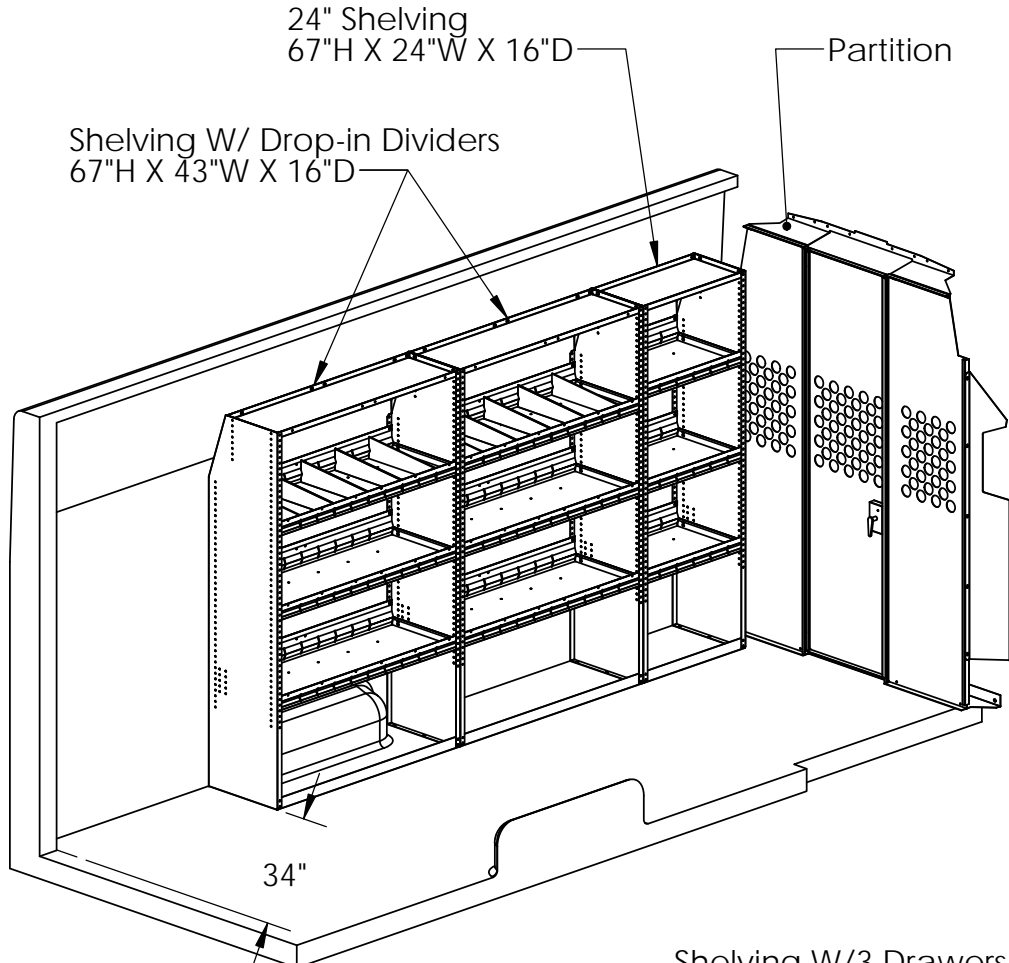
HARBOR TRUCK BODIES

PLUS PACKAGE & PARTITION

FOR 148" EXTENDED WHEEL BASE FORD TRANSIT

REV	DWG	DATE	CHANGE DESCRIPTION
1	KB	05/26/15	CREATED PRINT
2	KB	02/08/16	ADDED RETAINER LIP & NEW DRAWER ASSY.
3	KB	01/27/21	REMOVED SIDE NOTCH.

THE INFORMATION CONTAINED IN THIS DRAWING IS THE SOLE PROPERTY OF HARBOR TRUCK BODIES. ANY REPRODUCTION IN PART OR WHOLE WITHOUT THE WRITTEN PERMISSION OF HARBOR TRUCK BODIES IS PROHIBITED.



UNLESS OTHERWISE SPECIFIED
DIMENSIONS ARE IN INCHES
TOLERANCES ARE:
DECIMALS ANGLES FRACTIONS
.X = +/- .1 X = +/- 1° +/- 1/32"
.XX = +/- .03

SIZE DESCRIPTION
A

Harbor Van Transit Plus Package

PACKAGE PART NUMBERS:
HVTS-D-H-148

Interior Weight 579 lbs

FINISH Epoxy Prime

DRAWN KB

DATE 03/23/16

INSTALLED - 5.2 HRS

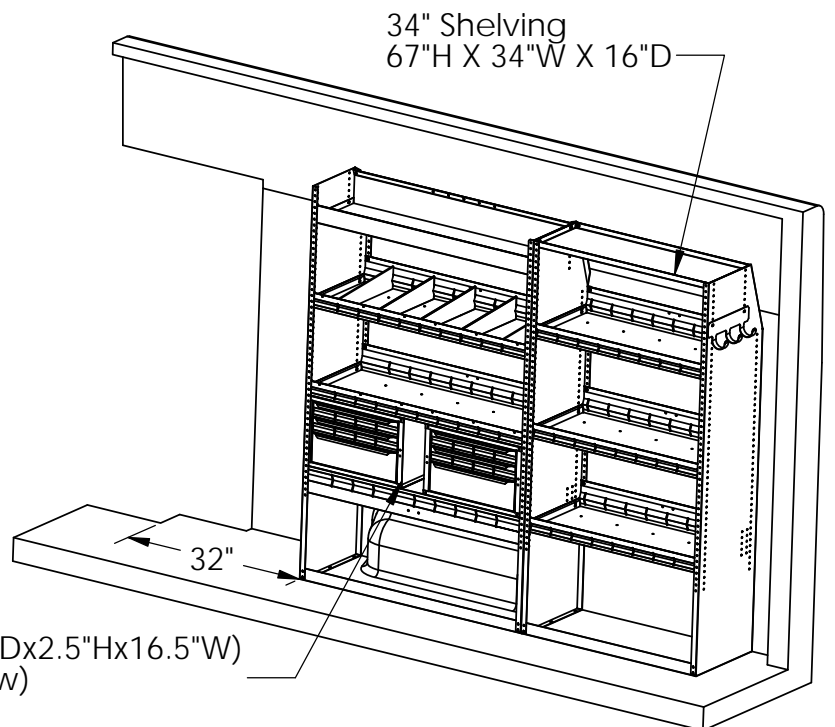
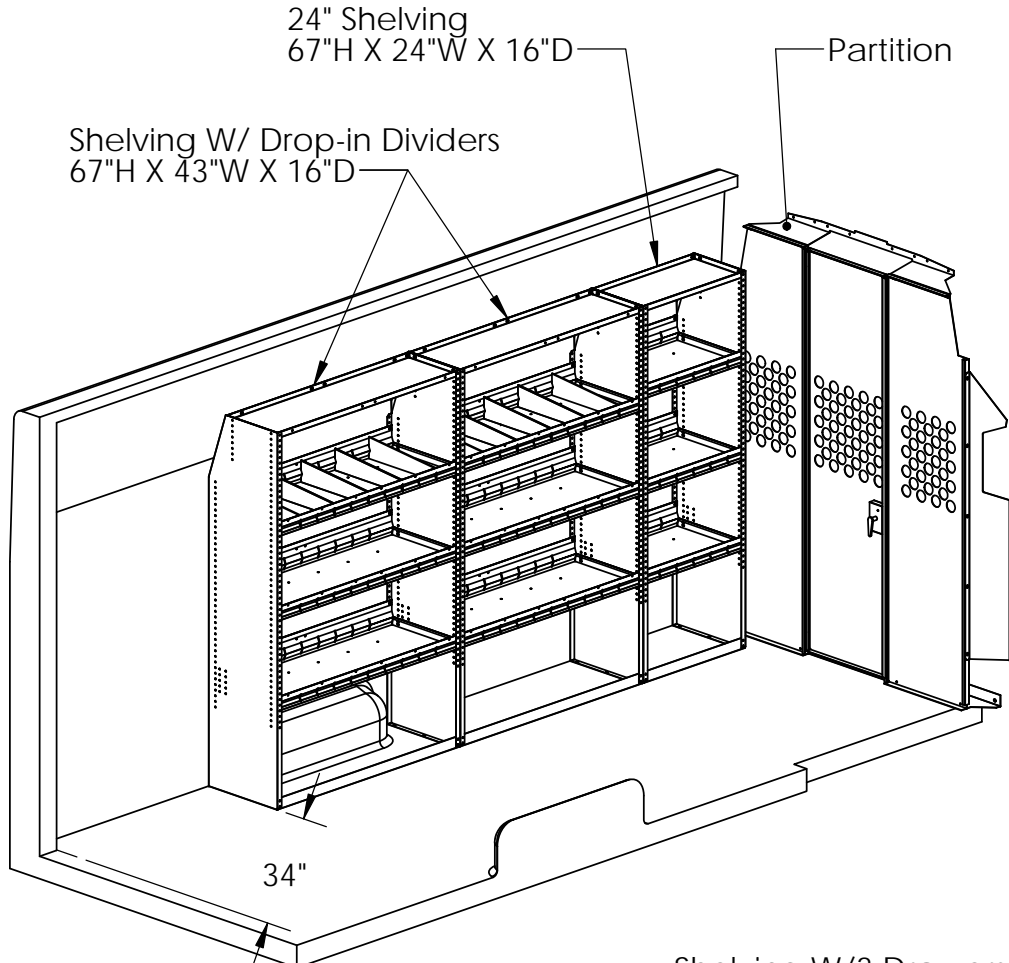
HARBOR TRUCK BODIES

PLUS PACKAGE & PARTITION

FOR 148" EXTENDED WHEEL BASE FORD TRANSIT

REV	DWG	DATE	CHANGE DESCRIPTION
1	KB	05/26/15	CREATED PRINT
2	KB	02/08/16	ADDED RETAINER LIP & NEW DRAWER ASSY.
3	KB	01/27/21	REMOVED SIDE NOTCH.

THE INFORMATION CONTAINED IN THIS DRAWING IS THE SOLE PROPERTY OF HARBOR TRUCK BODIES. ANY REPRODUCTION IN PART OR WHOLE WITHOUT THE WRITTEN PERMISSION OF HARBOR TRUCK BODIES IS PROHIBITED.



UNLESS OTHERWISE SPECIFIED
DIMENSIONS ARE IN INCHES
TOLERANCES ARE:
DECIMALS ANGLES FRACTIONS
X = +/- .1 X = +/- 1° +/- 1/32"
.XX = +/- .03

SIZE	DESCRIPTION	Harbor Van Transit Plus Package	
A	Interior Weight	579 lbs	FINISH Epoxy Prime
			DRAWN KB
			DATE 03/23/16

PACKAGE PART NUMBERS:
HVTSD-H-148E

INSTALLED - 6 HRS

8 7 6 5 4 3 2 1

D
C
B
A

D
C
B
A

8 7 6 5 4 3 2 1

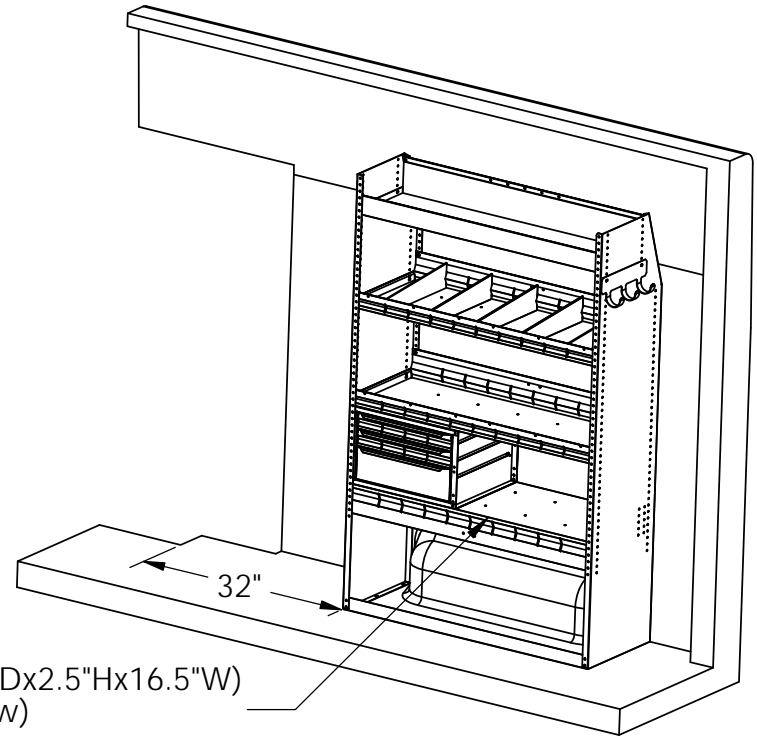
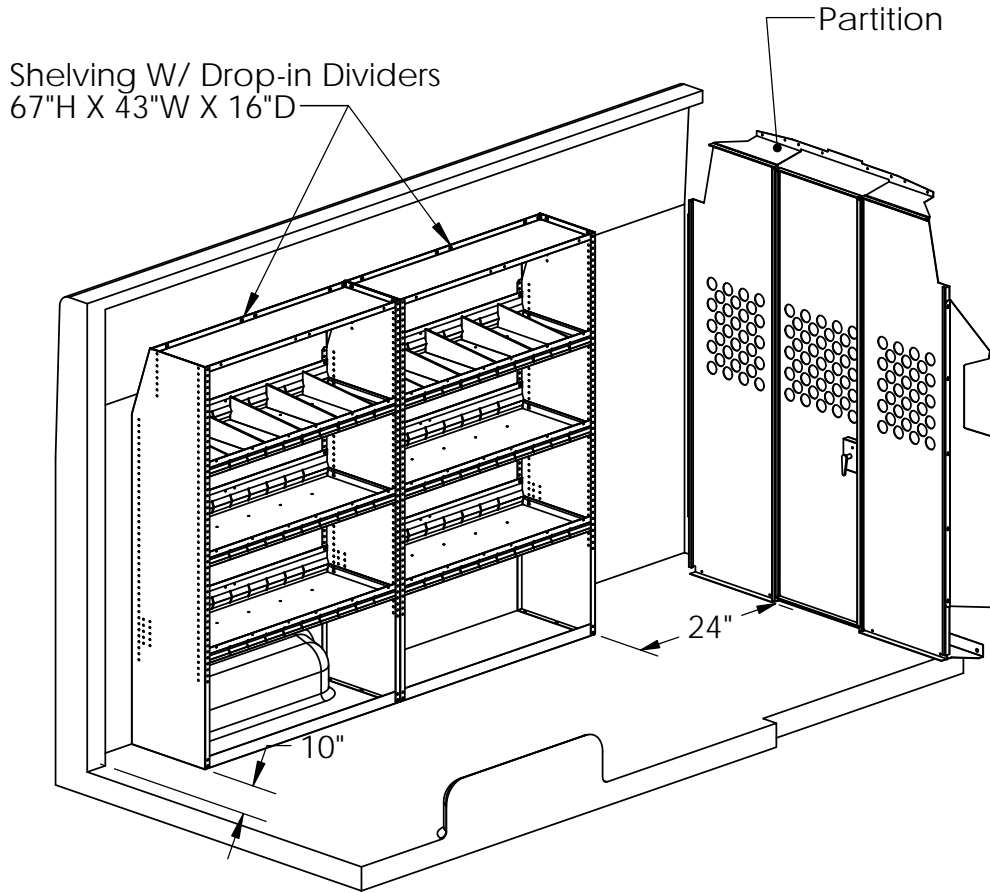
HARBOR TRUCK BODIES

PLUS PACKAGE & PARTITION

FOR 148" WHEEL BASE FORD TRANSIT WITH HIGH ROOF

REV	DWG	DATE	CHANGE DESCRIPTION
1	KB	05/26/15	CREATED PRINT
2	KB	02/08/16	ADDED RETAINER LIP & NEW DRAWER ASSY.
3	KB	01/27/21	REMOVED SIDE NOTCH.

THE INFORMATION CONTAINED IN THIS DRAWING IS THE SOLE PROPERTY OF HARBOR TRUCK BODIES. ANY REPRODUCTION IN PART OR WHOLE WITHOUT THE WRITTEN PERMISSION OF HARBOR TRUCK BODIES IS PROHIBITED.



Shelving W/3 Drawers
67"Hx43"Wx16"D

Drawer Size: 2X (15.75"Dx2.5"Hx16.5"W)
1x (15.75"Dx5"Hx16.5"w)



UNLESS OTHERWISE SPECIFIED
DIMENSIONS ARE IN INCHES
TOLERANCES ARE:
DECIMALS ANGLES FRACTIONS
X = +/- .1 X = +/- 1° +/- 1/32"
.XX = +/- .03

SIZE	DESCRIPTION	FINISH	DRAWN	DATE
A	Harbor Van Transit Plus Package	Epoxy Prime	KB	03/23/16
Interior Weight	440 lbs			

PACKAGE PART NUMBERS:
HVTSD-H
INSTALLED - 4.3 HRS

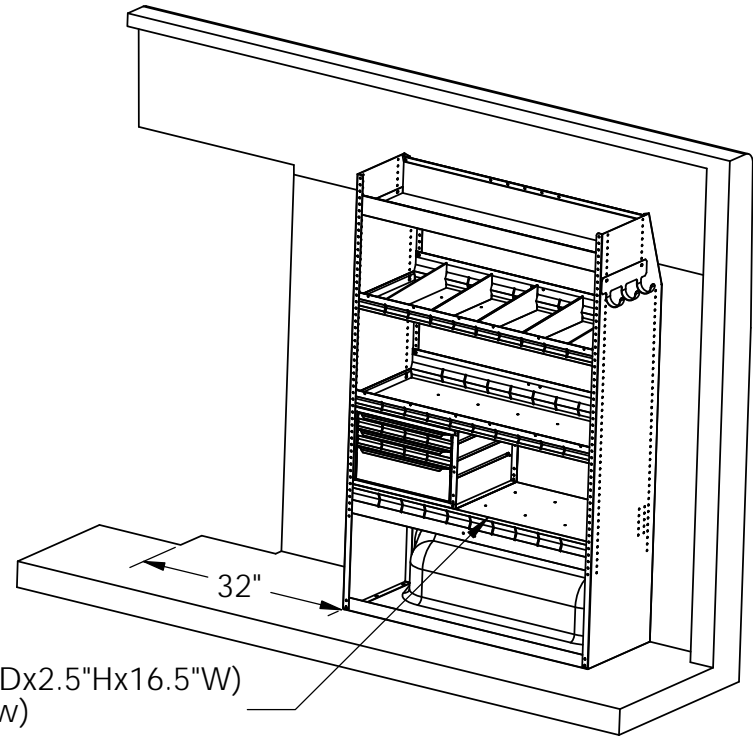
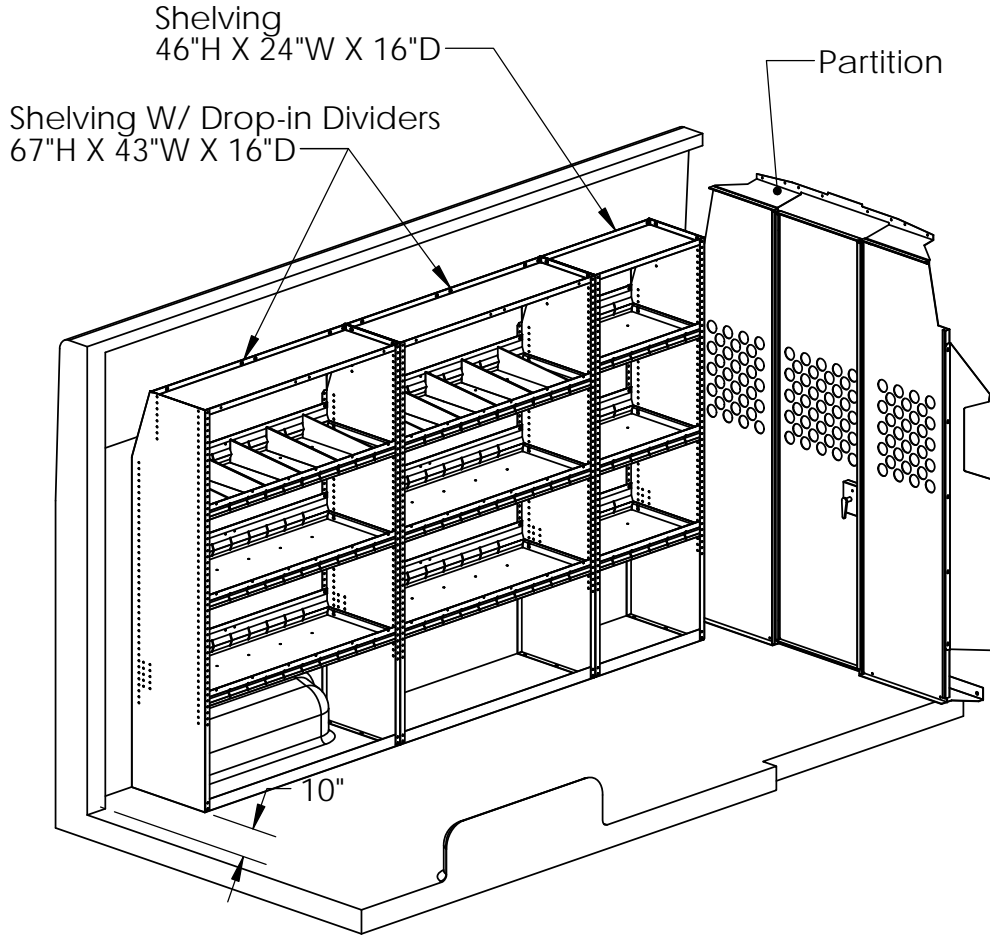
HARBOR TRUCK BODIES

PLUS PACKAGE & PARTITION

FOR 148" WHEEL BASE FORD TRANSIT WITH HIGH ROOF

REV	DWG	DATE	CHANGE DESCRIPTION
1	KB	05/26/15	CREATED PRINT
2	KB	02/08/16	ADDED RETAINER LIP & NEW DRAWER ASSY.
3	KB	01/27/21	REMOVED SIDE NOTCH.

THE INFORMATION CONTAINED IN THIS DRAWING IS THE SOLE PROPERTY OF HARBOR TRUCK BODIES. ANY REPRODUCTION IN PART OR WHOLE WITHOUT THE WRITTEN PERMISSION OF HARBOR TRUCK BODIES IS PROHIBITED.



UNLESS OTHERWISE SPECIFIED
DIMENSIONS ARE IN INCHES
TOLERANCES ARE:
DECIMALS ANGLES FRACTIONS
X = +/- .1 X = +/- 1° +/- 1/32"
.XX = +/- .03

SIZE	DESCRIPTION	FINISH	DRAWN	DATE
A	Harbor Van Transit Plus Package	Epoxy Prime	KB	03/23/16
Interior Weight	440 lbs			

PACKAGE PART NUMBERS:
HVTSD-H-148
INSTALLED - 5.2 HRS

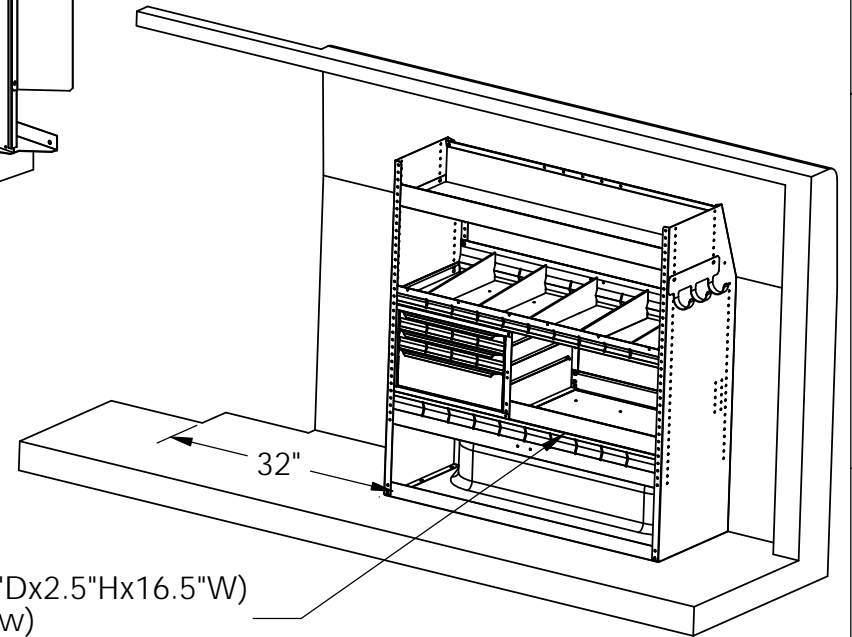
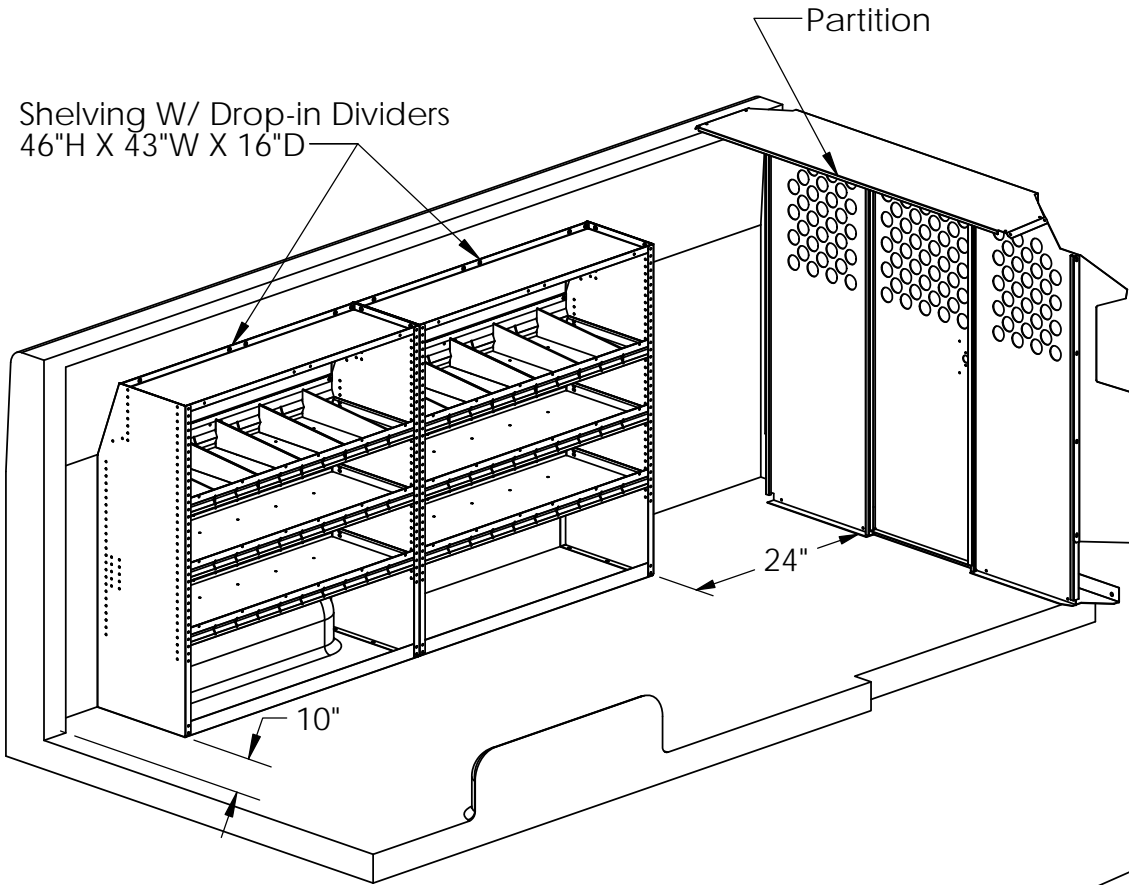
HARBOR TRUCK BODIES

PLUS PACKAGE & PARTITION

FOR 148" WHEEL BASE FORD TRANSIT WITH LOW ROOF

REV	DWG	DATE	CHANGE DESCRIPTION
1	KB	05/26/15	CREATED PRINT
2	KB	02/08/16	ADDED RETAINER LIP & NEW DRAWER ASSY.
3	KB	01/27/21	REMOVED SIDE NOTCH.

THE INFORMATION CONTAINED IN THIS DRAWING IS THE SOLE PROPERTY OF HARBOR TRUCK BODIES. ANY REPRODUCTION IN PART OR WHOLE WITHOUT THE WRITTEN PERMISSION OF HARBOR TRUCK BODIES IS PROHIBITED.



Shelving W/3 Drawers
46"Hx43"Wx16"D

Drawer Size: 2X (15.75"Dx2.5"Hx16.5"W)
1x (15.75"Dx5"Hx16.5"W)



UNLESS OTHERWISE SPECIFIED
DIMENSIONS ARE IN INCHES
TOLERANCES ARE:
DECIMALS ANGLES FRACTIONS
X = +/- .1 X = +/- 1° +/- 1/32"
.XX = +/- .03

SIZE	DESCRIPTION	FINISH	DRAWN	DATE
A	Harbor Van Transit Plus Package	Epoxy Prime	KB	03/23/16
Interior Weight	390 lbs			

PACKAGE PART NUMBERS:
HVTSD-L
INSTALLED - 4.3 HRS

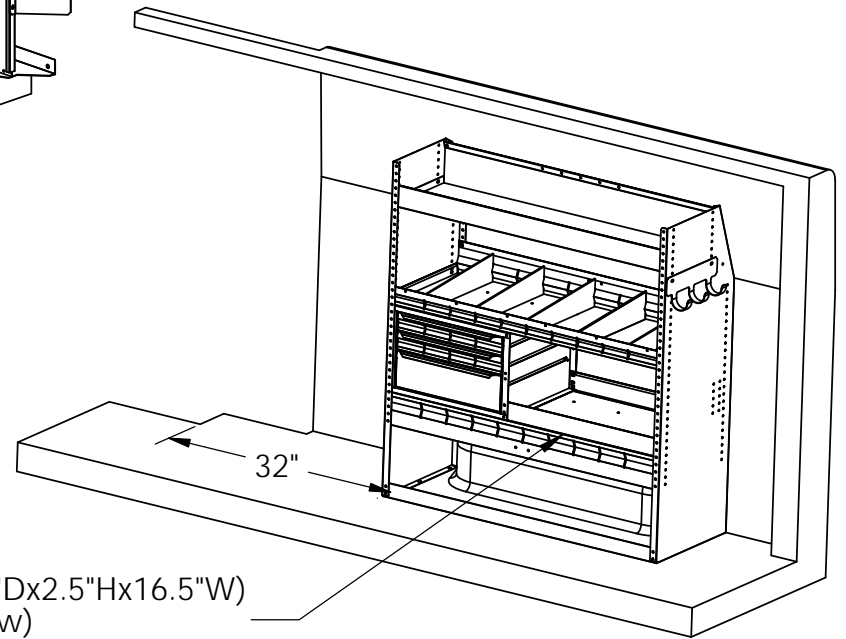
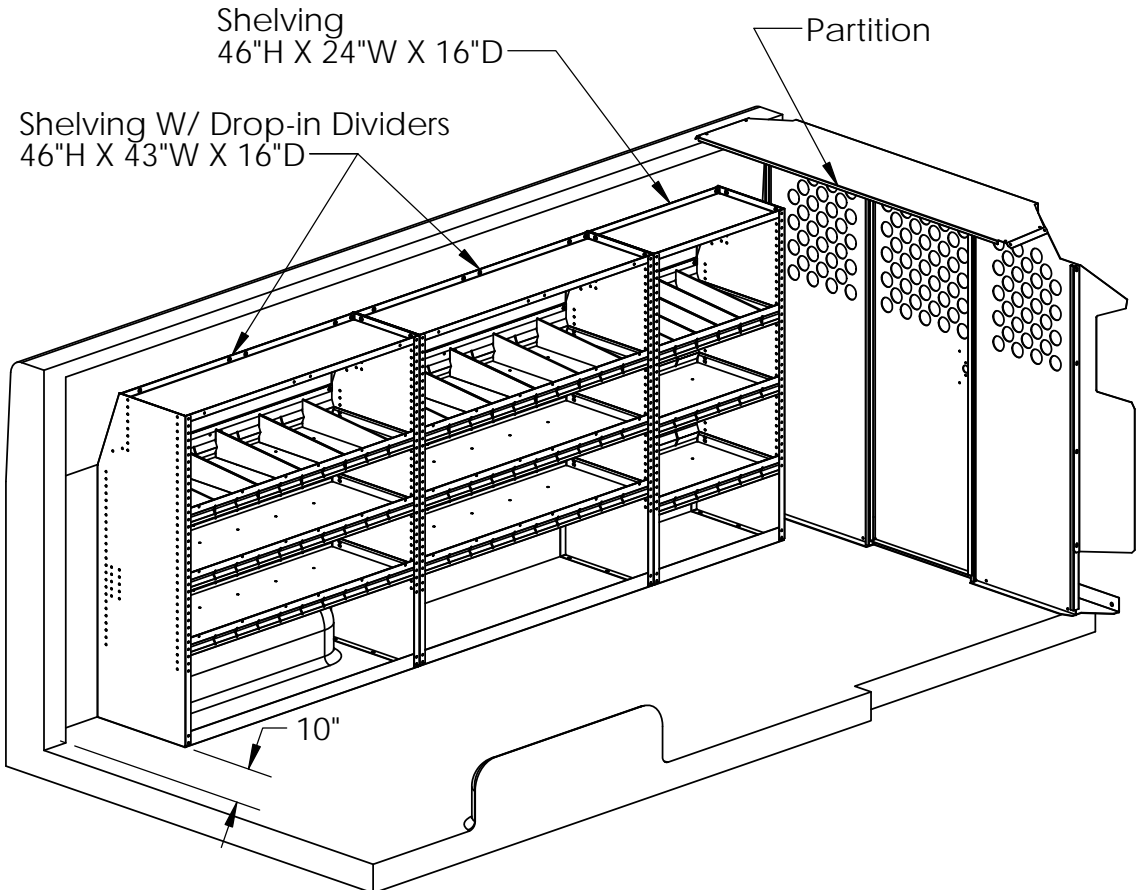
HARBOR TRUCK BODIES

PLUS PACKAGE & PARTITION

FOR 148" WHEEL BASE FORD TRANSIT WITH LOW ROOF

REV	DWG	DATE	CHANGE DESCRIPTION
1	KB	05/26/15	CREATED PRINT
2	KB	02/08/16	ADDED RETAINER LIP & NEW DRAWER ASSY.
3	KB	01/27/21	REMOVED SIDE NOTCH.

THE INFORMATION CONTAINED IN THIS DRAWING IS THE SOLE PROPERTY OF HARBOR TRUCK BODIES. ANY REPRODUCTION IN PART OR WHOLE WITHOUT THE WRITTEN PERMISSION OF HARBOR TRUCK BODIES IS PROHIBITED.



UNLESS OTHERWISE SPECIFIED
DIMENSIONS ARE IN INCHES
TOLERANCES ARE:
DECIMALS ANGLES FRACTIONS
X = +/- .1 X = +/- 1° +/- 1/32"
.XX = +/- .03

SIZE	DESCRIPTION	DRAWN		DATE	
A	Harbor Van Transit Plus Package	KB	03/23/16		
Interior Weight	390 lbs	FINISH		Epoxy Prime	

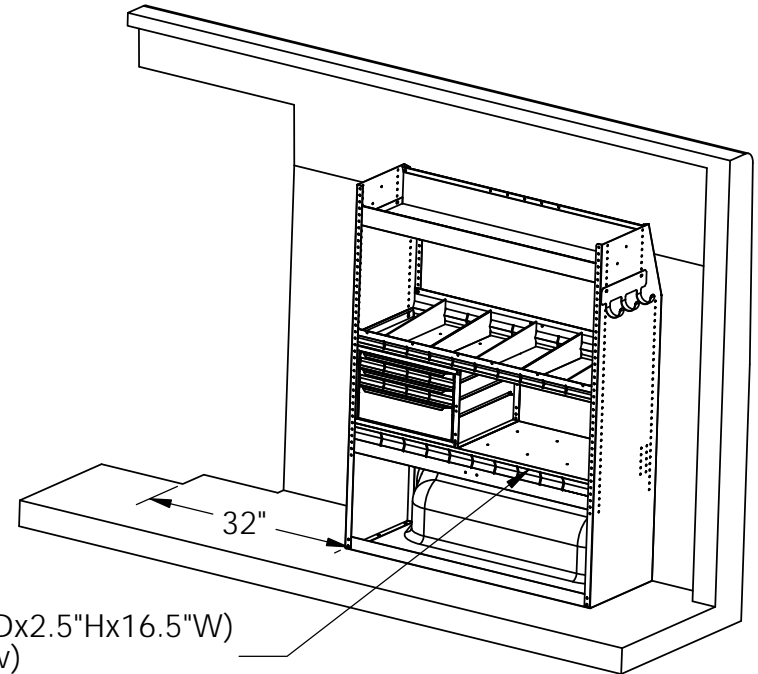
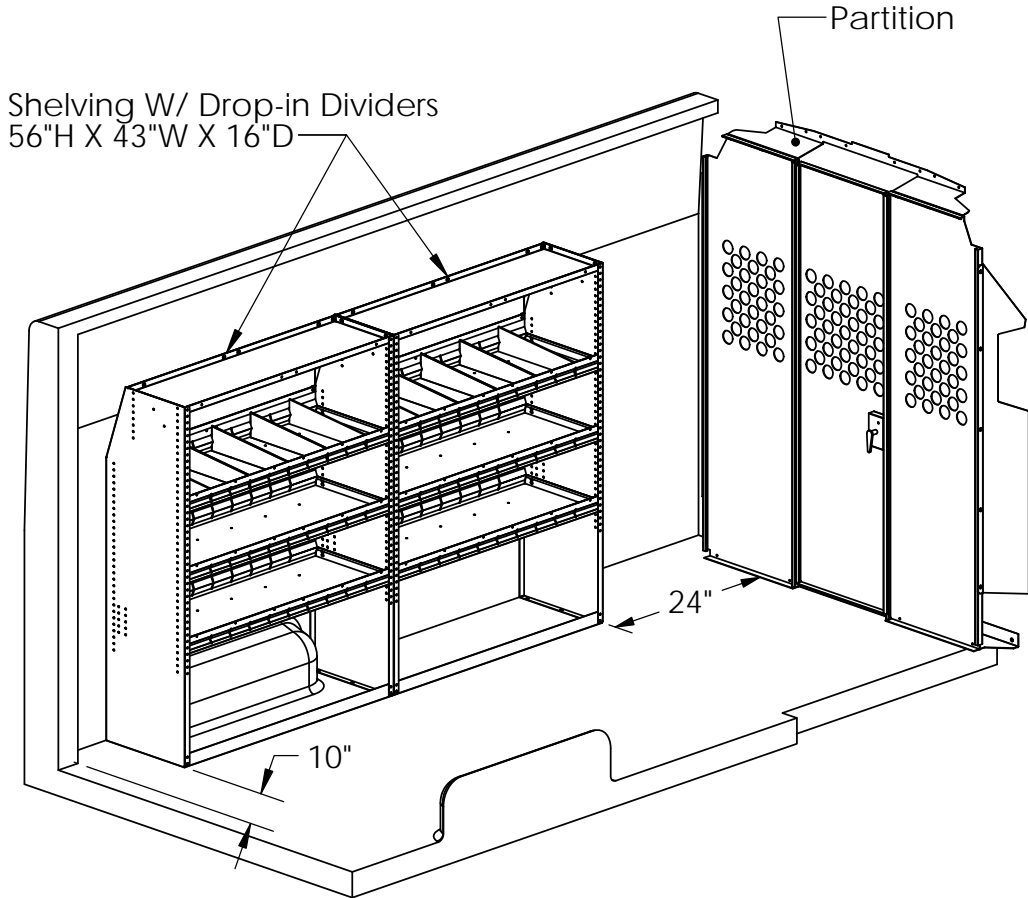
PACKAGE PART NUMBERS:
HVTSD-L-148
INSTALLED - 5.2 HRS

HARBOR TRUCK BODIES

PLUS PACKAGE & PARTITION

FOR 148" WHEEL BASE FORD TRANSIT WITH MEDIUM ROOF

REV	DWG	DATE	CHANGE DESCRIPTION
1	KB	05/26/15	CREATED PRINT
2	KB	02/08/16	ADDED RETAINER LIP & NEW DRAWER ASSY.
3	KB	01/27/21	REMOVED SIDE NOTCH.



Shelving W/3 Drawers
56"Hx43"Wx16"D

Drawer Size: 2X (15.75"Dx2.5"Hx16.5"W)
1x (15.75"Dx5"Hx16.5"W)

THE INFORMATION CONTAINED IN THIS DRAWING IS THE SOLE PROPERTY OF HARBOR TRUCK BODIES ANY REPRODUCTION IN PART OR WHOLE WITHOUT THE WRITTEN PERMISSION OF HARBOR TRUCK BODIES IS PROHIBITED.



UNLESS OTHERWISE SPECIFIED
DIMENSIONS ARE IN INCHES
TOLERANCES ARE:
DECIMALS ANGLES FRACTIONS
X = +/- .1 X = +/- 1° +/- 1/32"
.XX = +/- .03

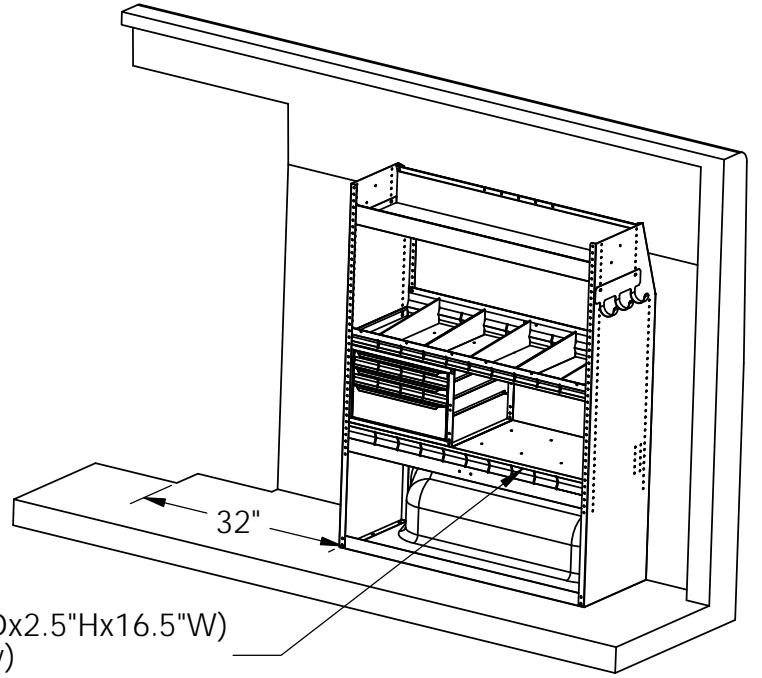
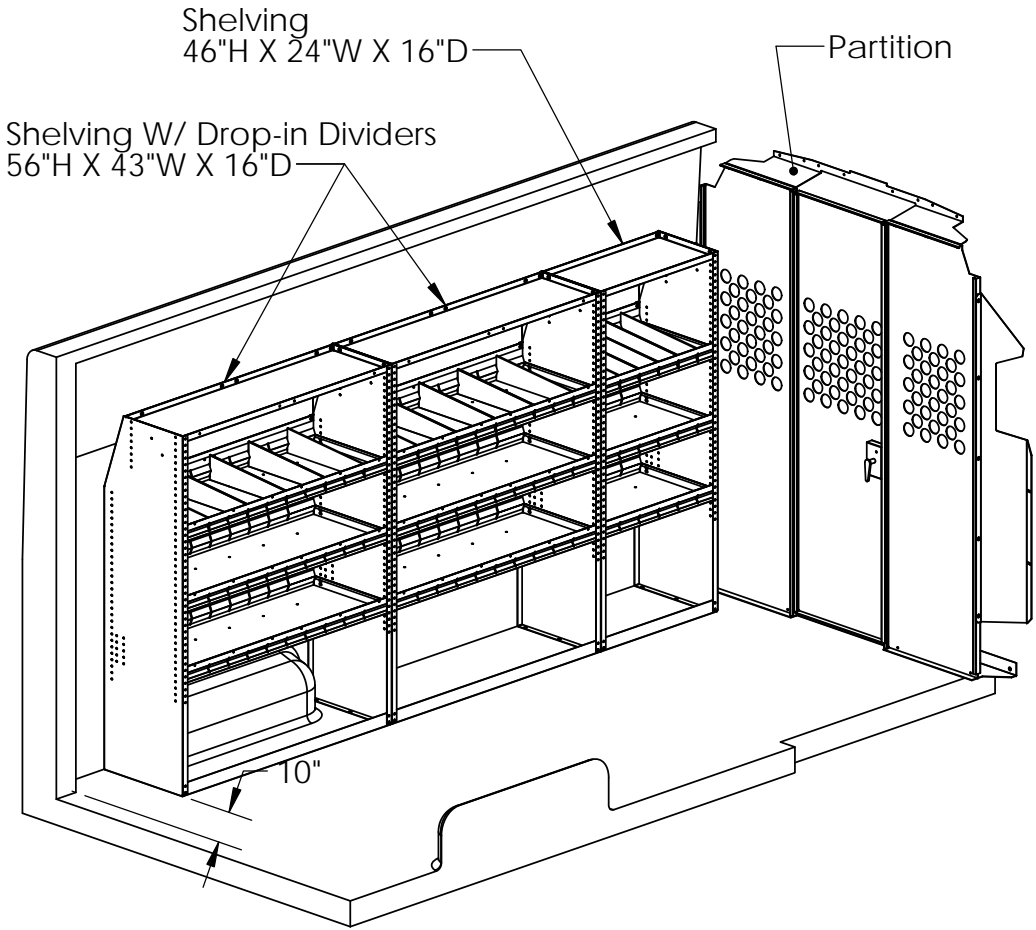
SIZE	DESCRIPTION	FINISH	DRAWN	DATE
A	Harbor Van Transit Plus Package	Epoxy Prime	KB	03/23/16
Interior Weight	406 lbs			

PACKAGE PART NUMBERS:
HVTSD-M
INSTALLED - 4.3 HRS

HARBOR TRUCK BODIES PLUS PACKAGE & PARTITION FOR 148" WHEEL BASE FORD TRANSIT WITH MEDIUM ROOF

REV	DWG	DATE	CHANGE DESCRIPTION
1	KB	05/26/15	CREATED PRINT
2	KB	02/08/16	ADDED RETAINER LIP & NEW DRAWER ASSY.
3	KB	01/27/21	REMOVED SIDE NOTCH.

THE INFORMATION CONTAINED IN THIS DRAWING IS THE SOLE PROPERTY OF HARBOR TRUCK BODIES. ANY REPRODUCTION IN PART OR WHOLE WITHOUT THE WRITTEN PERMISSION OF HARBOR TRUCK BODIES IS PROHIBITED.



UNLESS OTHERWISE SPECIFIED
DIMENSIONS ARE IN INCHES
TOLERANCES ARE:
DECIMALS ANGLES FRACTIONS
X = +/- .1 X = +/- 1° +/- 1/32"
XX = +/- .03

SIZE	DESCRIPTION	FINISH	DRAWN	DATE
A	Harbor Van Transit Plus Package	Epoxy Prime	KB	03/23/16
Interior Weight	406 lbs			

PACKAGE PART NUMBERS:
HVTSD-M-148
INSTALLED - 5.2 HRS