

# HARBOR TRUCK BODIES

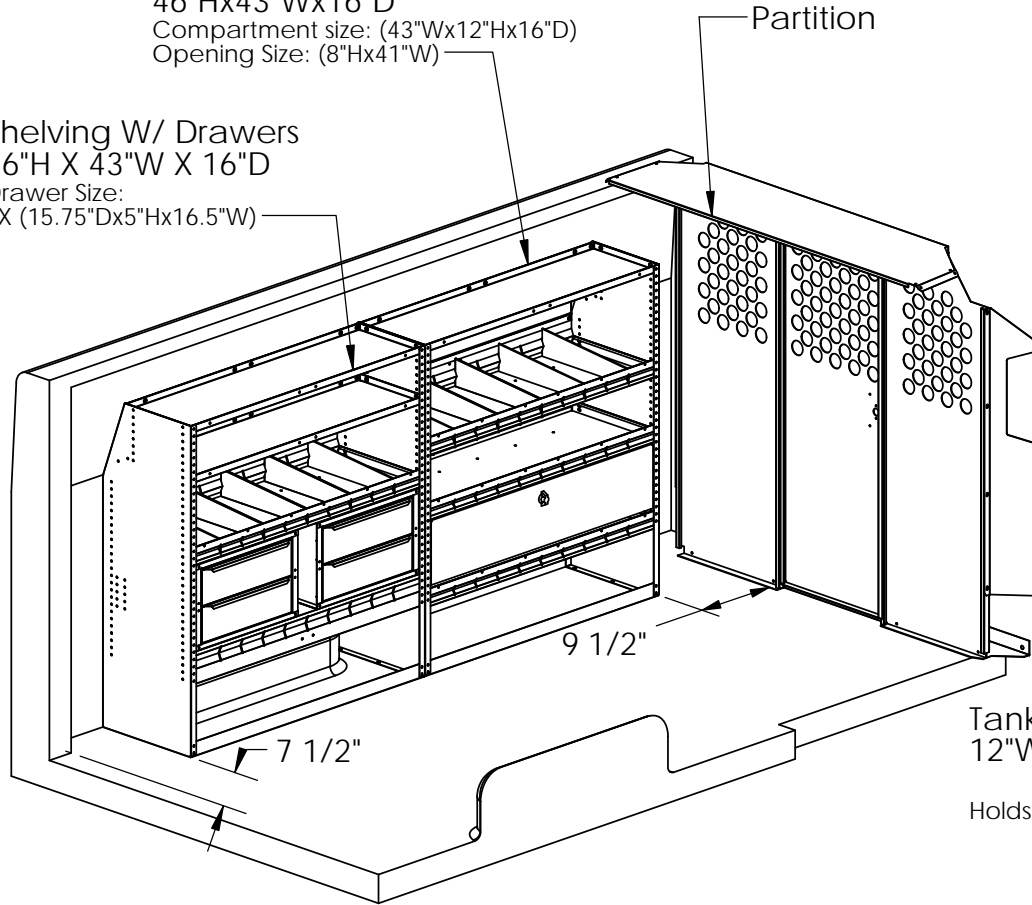
## PHVAC PACKAGE & PARTITION

### FOR 130" WHEEL BASE FORD TRANSIT WITH LOW ROOF

REV	DWG	DATE	CHANGE DESCRIPTION
1	KB	05/26/15	CREATED PRINT
2	KB	01/27/21	REMOVED SIDE NOTCH.

Shelving W/ Bottom Door  
 46"Hx43"Wx16"D  
 Compartment size: (43"Wx12"Hx16"D)  
 Opening Size: (8"Hx41"W)

Shelving W/ Drawers  
 46"H X 43"W X 16"D  
 Drawer Size:  
 4X (15.75"Dx5"Hx16.5"W)

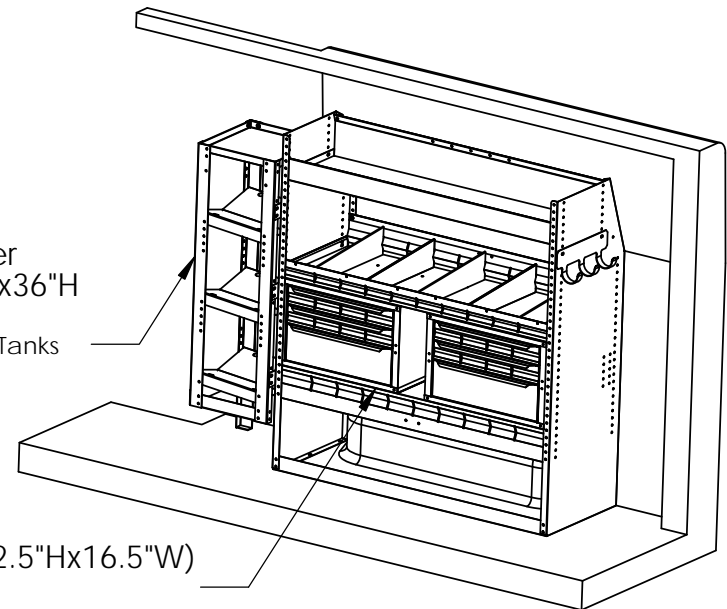


Tank Holder  
 12"Wx12"Dx36"H

Holds 3 (30lb) Tanks

Shelving W/6 Drawers  
 46"Hx43"Wx16"D

Drawer Size: 4X (15.75"Dx2.5"Hx16.5"W)  
 2x (15.75"Dx5"Hx16.5"W)



THE INFORMATION CONTAINED IN THIS DRAWING IS THE SOLE PROPERTY OF HARBOR TRUCK BODIES. ANY REPRODUCTION IN PART OR WHOLE WITHOUT THE WRITTEN PERMISSION OF HARBOR TRUCK BODIES IS PROHIBITED.



UNLESS OTHERWISE SPECIFIED  
 DIMENSIONS ARE IN INCHES  
 TOLERANCES ARE:  
 DECIMALS ANGLES FRACTIONS  
 .X = +/- .1 X = +/- 1° +/- 1/32"  
 .XX = +/- .03

SIZE	DESCRIPTION	FINISH	DRAWN	DATE
A	Harbor Van Transit PHVAC Package	Epoxy Prime	KB	03/23/16
Interior Weight	504 lbs			

PACKAGE PART NUMBERS:  
**HVTPHVAC-L**  
**INSTALLED - 6 HRS**

# HARBOR TRUCK BODIES

## PHVAC PACKAGE & PARTITION

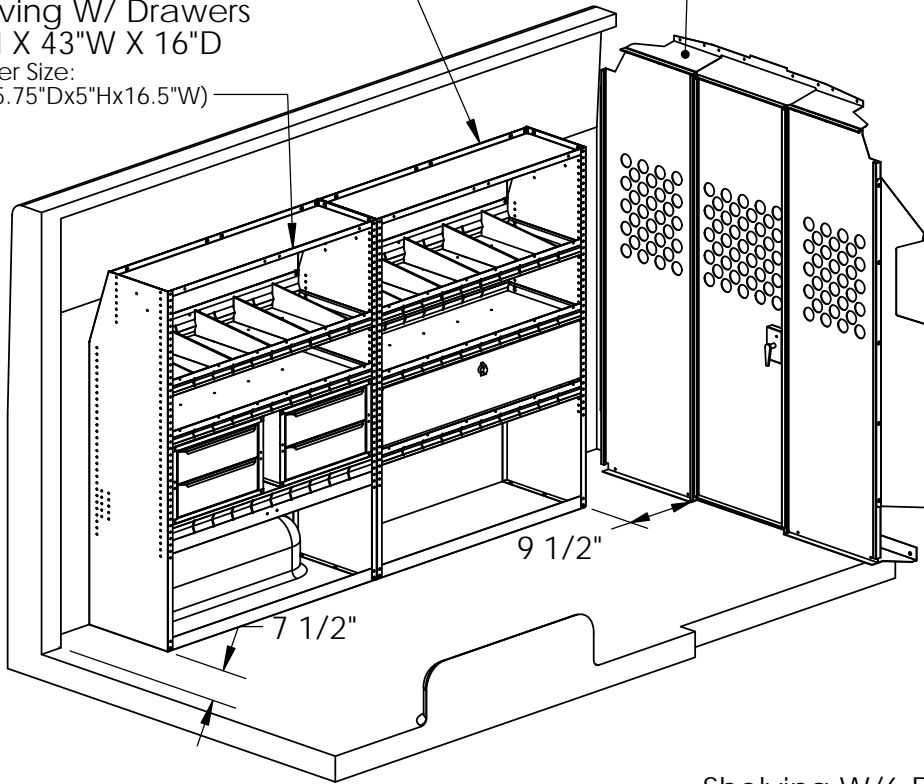
### FOR 130" WHEEL BASE FORD TRANSIT WITH MEDIUM ROOF

REV	DWG	DATE	CHANGE DESCRIPTION
1	KB	05/26/15	CREATED PRINT
2	KB	01/27/21	REMOVED SIDE NOTCH.

Shelving W/ Bottom Door  
 56"Hx43"Wx16"D  
 Compartment size: (43"Wx12"Hx16"D)  
 Opening Size: (8"Hx41"W)

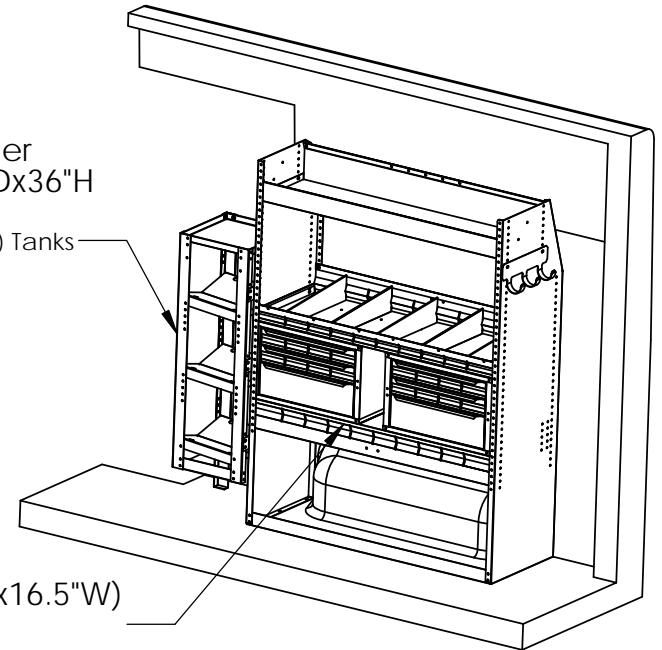
Shelving W/ Drawers  
 56"H X 43"W X 16"D  
 Drawer Size:  
 4X (15.75"Dx5"Hx16.5"W)

Partition



Tank Holder  
 12"Wx12"Dx36"H

Holds 3 (30lb) Tanks



Shelving W/6 Drawers  
 56"Hx43"Wx16"D

Drawer Size: 4X (15.75"Dx2.5"Hx16.5"W)  
 2x (15.75"Dx5"Hx16.5"W)

THE INFORMATION CONTAINED IN THIS DRAWING IS THE SOLE PROPERTY OF HARBOR TRUCK BODIES. ANY REPRODUCTION IN PART OR WHOLE WITHOUT THE WRITTEN PERMISSION OF HARBOR TRUCK BODIES IS PROHIBITED.



UNLESS OTHERWISE SPECIFIED  
 DIMENSIONS ARE IN INCHES  
 TOLERANCES ARE:  
 DECIMALS ANGLES FRACTIONS  
 .X = +/- .1 X = +/- 1° +/- 1/32"  
 .XX = +/- .03

SIZE	DESCRIPTION	Harbor Van Transit PHVAC Package	
A	Interior Weight	527 lbs	FINISH Epoxy Prime
			DRAWN KB
			DATE 03/23/16

**PACKAGE PART NUMBERS:**  
**HVTPHVAC-M**  
**INSTALLED - 6 HRS**

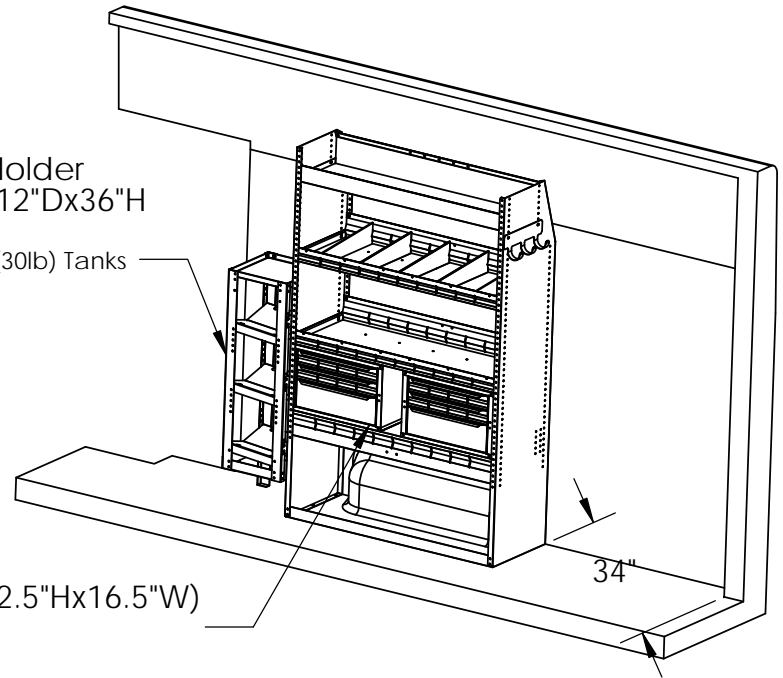
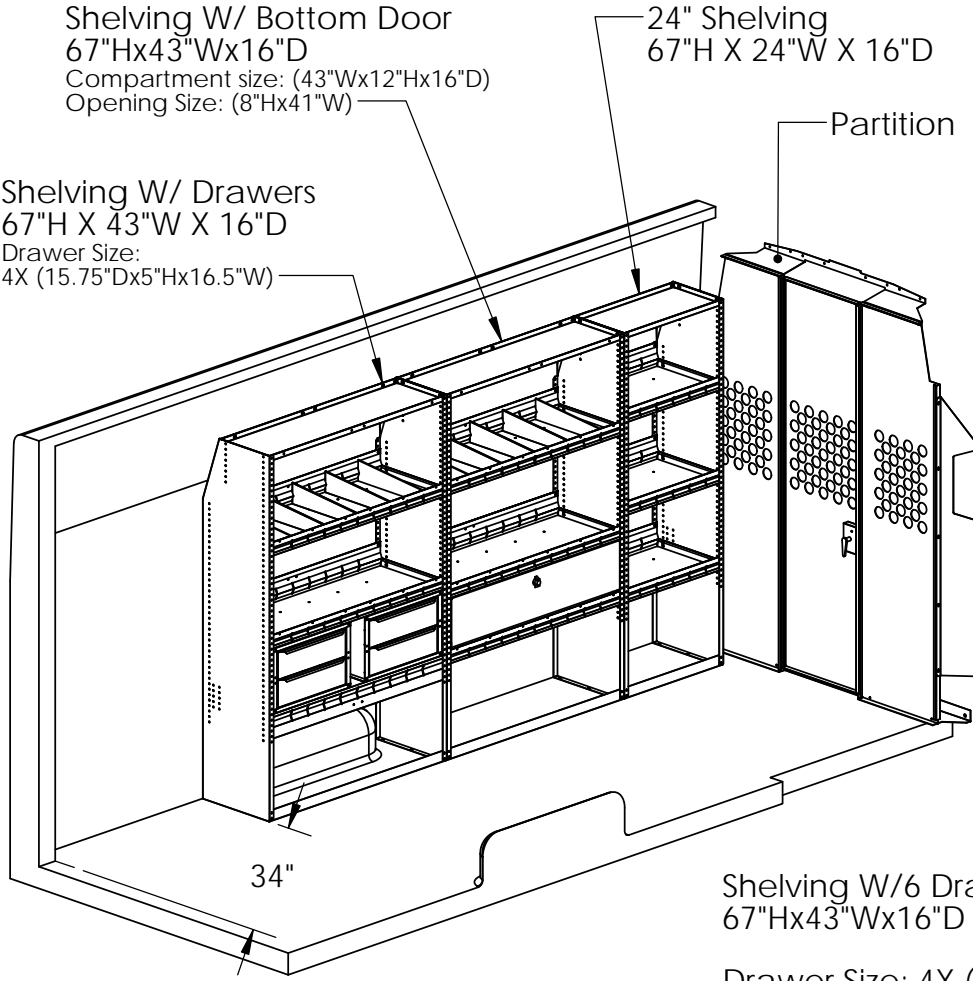
# HARBOR TRUCK BODIES

## PHVAC PACKAGE & PARTITION

### FOR 148" EXTENDED WHEEL BASE FORD TRANSIT

REV	DWG	DATE	CHANGE DESCRIPTION
1	KB	05/26/15	CREATED PRINT
2	KB	01/27/21	REMOVED SIDE NOTCH.

THE INFORMATION CONTAINED IN THIS DRAWING IS THE SOLE PROPERTY OF HARBOR TRUCK BODIES. ANY REPRODUCTION IN PART OR WHOLE WITHOUT THE WRITTEN PERMISSION OF HARBOR TRUCK BODIES IS PROHIBITED.



UNLESS OTHERWISE SPECIFIED  
DIMENSIONS ARE IN INCHES  
TOLERANCES ARE:  
DECIMALS ANGLES FRACTIONS  
X = +/- .1 X = +/- 1° +/- 1/32"  
.XX = +/- .03

SIZE	DESCRIPTION	FINISH	DRAWN	DATE
A	Harbor Van Transit PHVAC Package	Epoxy Prime	KB	03/23/16
Interior Weight	697 lbs			

**PACKAGE PART NUMBERS:**  
HVTPHVAC-H-148  
**INSTALLED - 6.75 HRS**

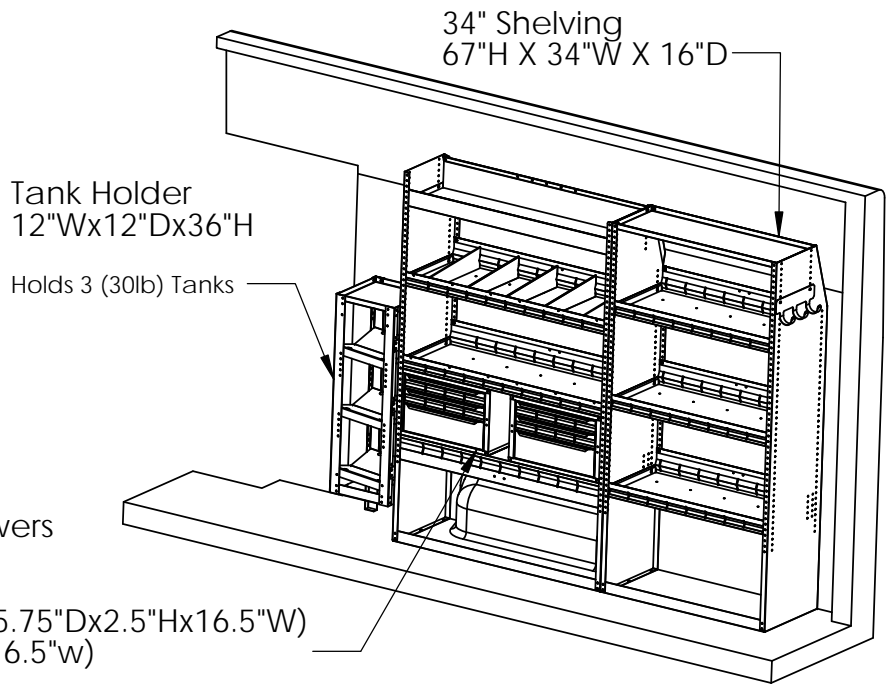
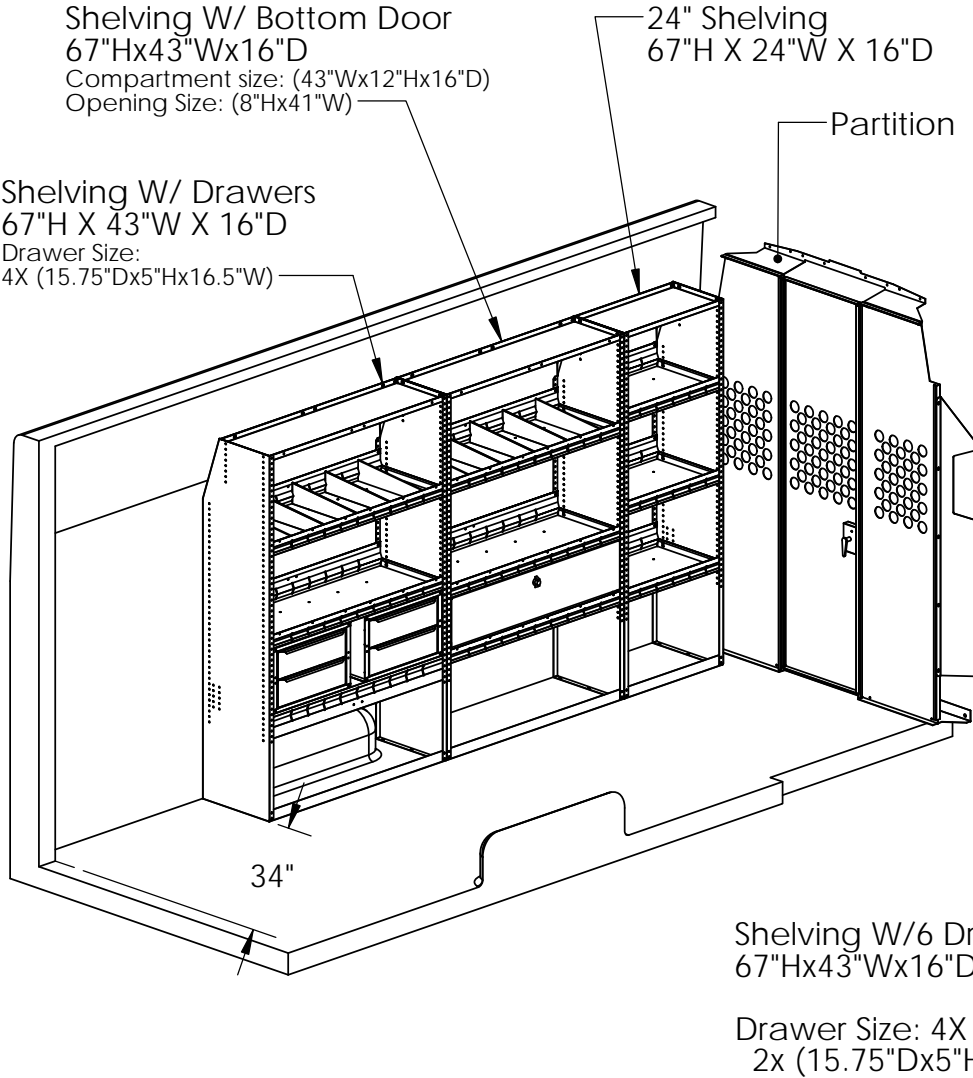
# HARBOR TRUCK BODIES

## PHVAC PACKAGE & PARTITION

### FOR 148" EXTENDED WHEEL BASE FORD TRANSIT

REV	DWG	DATE	CHANGE DESCRIPTION
1	KB	05/26/15	CREATED PRINT
2	KB	01/27/21	REMOVED SIDE NOTCH.

THE INFORMATION CONTAINED IN THIS DRAWING IS THE SOLE PROPERTY OF HARBOR TRUCK BODIES. ANY REPRODUCTION IN PART OR WHOLE WITHOUT THE WRITTEN PERMISSION OF HARBOR TRUCK BODIES IS PROHIBITED.



UNLESS OTHERWISE SPECIFIED  
DIMENSIONS ARE IN INCHES  
TOLERANCES ARE:  
DECIMALS ANGLES FRACTIONS  
X = +/- .1 X = +/- 1° +/- 1/32"  
.XX = +/- .03

SIZE	DESCRIPTION	FINISH	DRAWN	DATE
A	Harbor Van Transit PHVAC Package	Epoxy Prime	KB	03/23/16
Interior Weight	697 lbs			

PACKAGE PART NUMBERS:  
HVTPHVAC-H-148E  
**INSTALLED - 7.75 HRS**

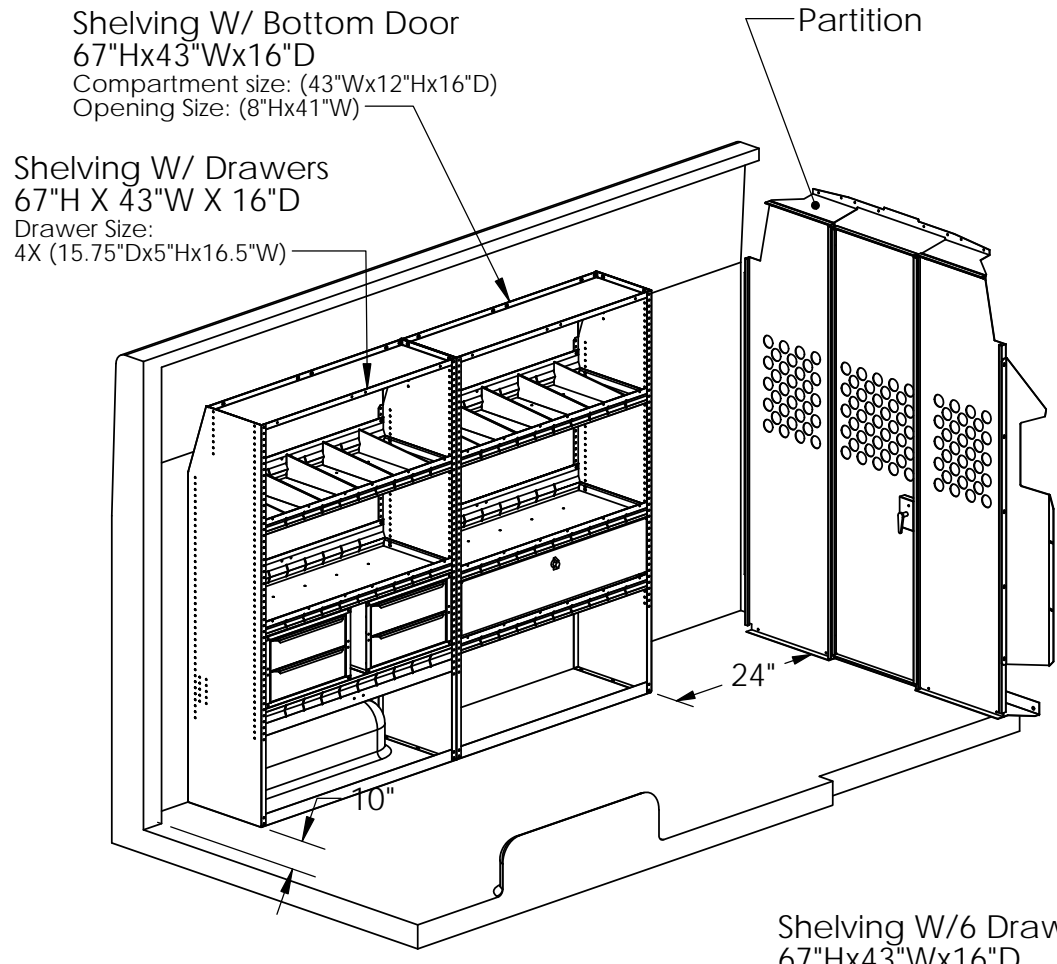
# HARBOR TRUCK BODIES

## PHVAC PACKAGE & PARTITION

### FOR 148" WHEEL BASE FORD TRANSIT WITH HIGH ROOF

REV	DWG	DATE	CHANGE DESCRIPTION
1	KB	05/26/15	CREATED PRINT
2	KB	01/27/21	REMOVED SIDE NOTCH.

THE INFORMATION CONTAINED IN THIS DRAWING IS THE SOLE PROPERTY OF HARBOR TRUCK BODIES. ANY REPRODUCTION IN PART OR WHOLE WITHOUT THE WRITTEN PERMISSION OF HARBOR TRUCK BODIES IS PROHIBITED.



Shelving W/ Bottom Door  
67"Hx43"Wx16"D  
Compartment size: (43"Wx12"Hx16"D)  
Opening Size: (8"Hx41"W)

Shelving W/ Drawers  
67"H X 43"W X 16"D  
Drawer Size:  
4X (15.75"Dx5"Hx16.5"W)

Partition

Tank Holder  
12"Wx12"Dx36"H  
Holds 3 (30lb) Tanks

Shelving W/6 Drawers  
67"Hx43"Wx16"D

Drawer Size: 4X (15.75"Dx2.5"Hx16.5"W)  
2x (15.75"Dx5"Hx16.5"W)



UNLESS OTHERWISE SPECIFIED  
DIMENSIONS ARE IN INCHES  
TOLERANCES ARE:  
DECIMALS ANGLES FRACTIONS  
X = +/- .1 X = +/- 1° +/- 1/32"  
.XX = +/- .03

SIZE	DESCRIPTION	FINISH	DRAWN	DATE
A	Harbor Van Transit PHVAC Package	Epoxy Prime	KB	03/23/16
Interior Weight	558 lbs			

PACKAGE PART NUMBERS
HVTPHVAC-H
<b>INSTALLED - 6 HRS</b>

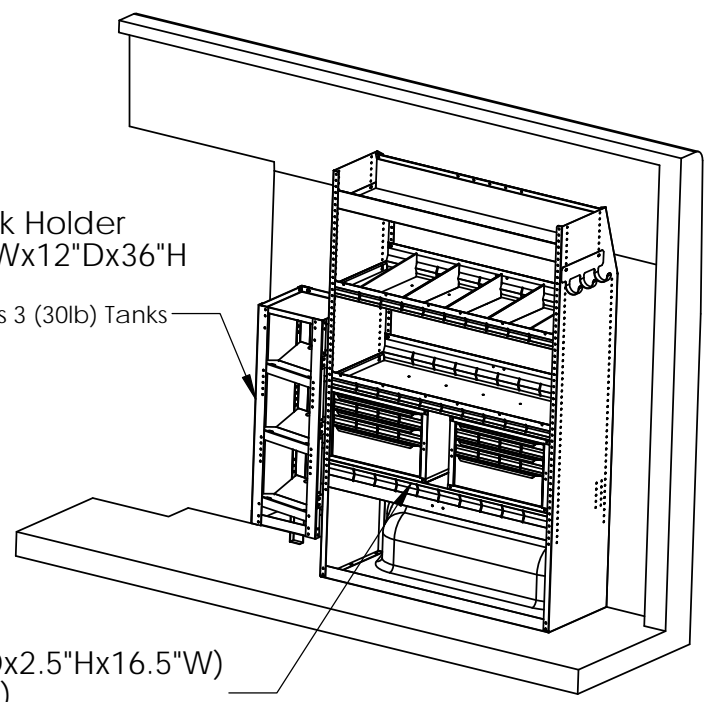
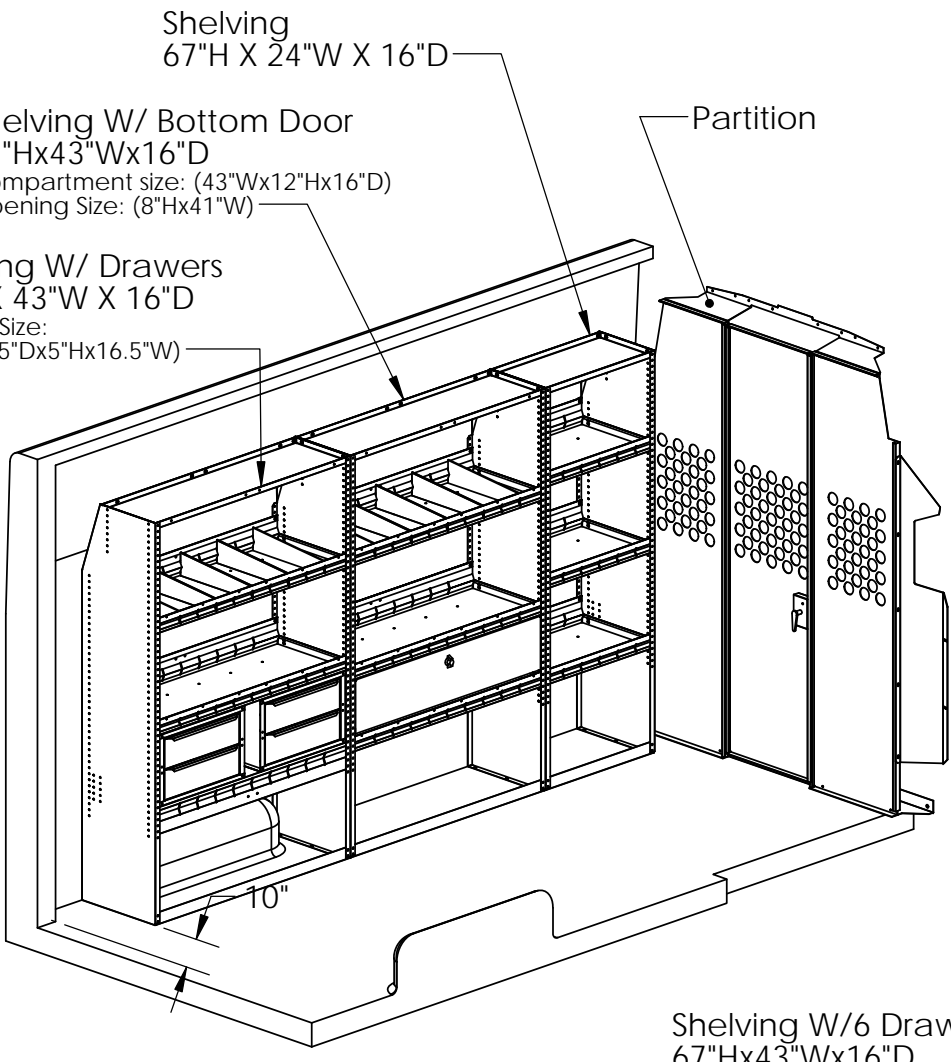
# HARBOR TRUCK BODIES

## PHVAC PACKAGE & PARTITION

### FOR 148" WHEEL BASE FORD TRANSIT WITH HIGH ROOF

REV	DWG	DATE	CHANGE DESCRIPTION
1	KB	05/26/15	CREATED PRINT
2	KB	01/27/21	REMOVED SIDE NOTCH.

THE INFORMATION CONTAINED IN THIS DRAWING IS THE SOLE PROPERTY OF HARBOR TRUCK BODIES. ANY REPRODUCTION IN PART OR WHOLE WITHOUT THE WRITTEN PERMISSION OF HARBOR TRUCK BODIES IS PROHIBITED.



Shelving W/6 Drawers  
67"Hx43"Wx16"D  
Drawer Size: 4X (15.75"Dx2.5"Hx16.5"W)  
2x (15.75"Dx5"Hx16.5"W)



UNLESS OTHERWISE SPECIFIED  
DIMENSIONS ARE IN INCHES  
TOLERANCES ARE:  
DECIMALS ANGLES FRACTIONS  
X = +/- .1 X = +/- 1° +/- 1/32"  
XX = +/- .03

SIZE	DESCRIPTION	FINISH	DRAWN	DATE
A	Harbor Van Transit PHVAC Package	Epoxy Prime	KB	03/23/16
Interior Weight	558 lbs			

PACKAGE PART NUMBERS  
HVTPHVAC-H-148  
**INSTALLED - 6.8 HRS**

8 7 6 5 4 3 2 1

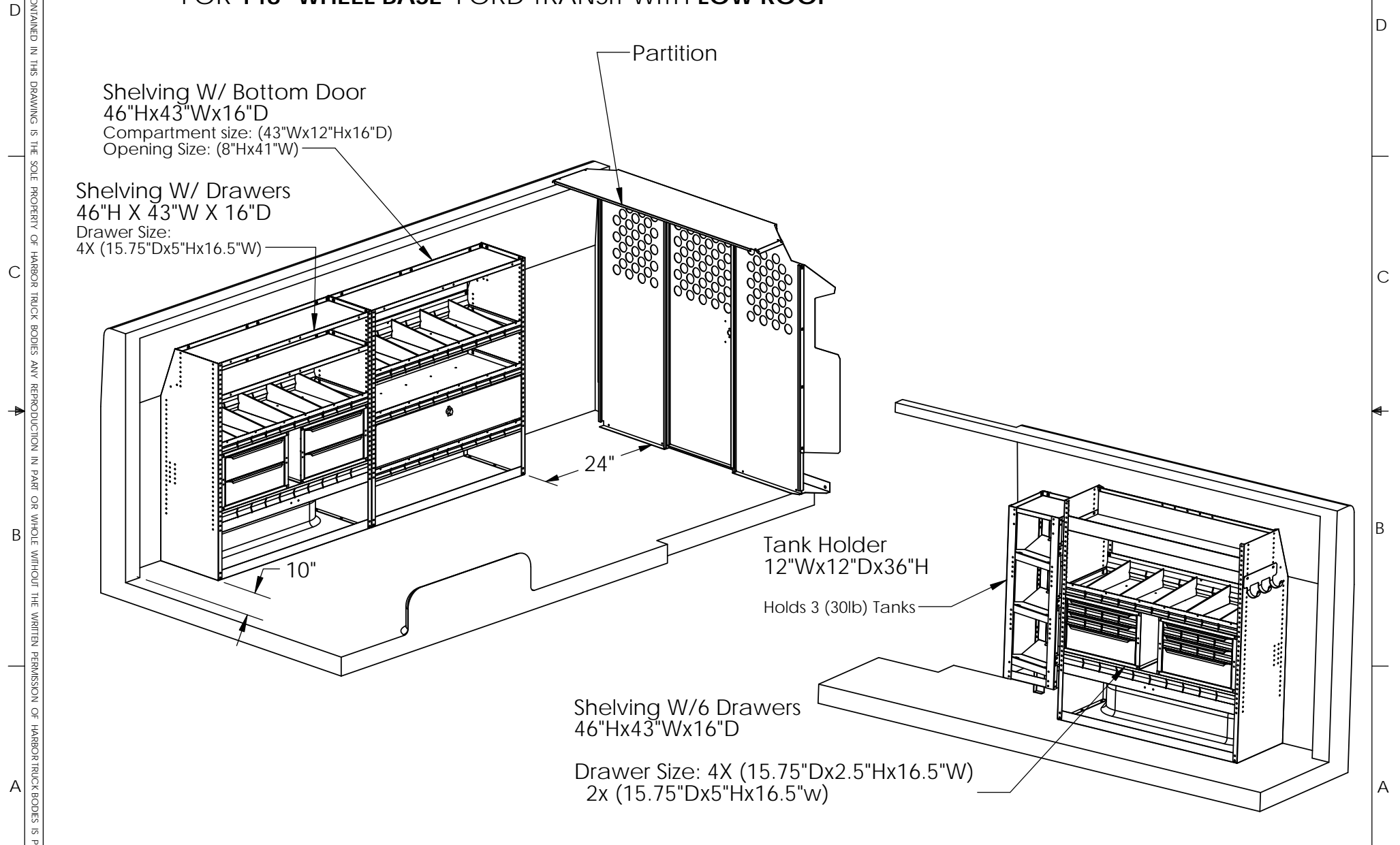
THE INFORMATION CONTAINED IN THIS DRAWING IS THE SOLE PROPERTY OF HARBOR TRUCK BODIES. ANY REPRODUCTION IN PART OR WHOLE WITHOUT THE WRITTEN PERMISSION OF HARBOR TRUCK BODIES IS PROHIBITED.

# HARBOR TRUCK BODIES

## PHVAC PACKAGE & PARTITION

### FOR 148" WHEEL BASE FORD TRANSIT WITH LOW ROOF

REV	DWG	DATE	CHANGE DESCRIPTION
1	KB	05/26/15	CREATED PRINT
2	KB	01/27/21	REMOVED SIDE NOTCH.



UNLESS OTHERWISE SPECIFIED  
 DIMENSIONS ARE IN INCHES  
 TOLERANCES ARE:  
 DECIMALS ANGLES FRACTIONS  
 .X = +/- .1 X = +/- 1° +/- 1/32"  
 .XX = +/- .03

SIZE	DESCRIPTION	FINISH	DRAWN	DATE
A	Harbor Van Transit PHVAC Package	Epoxy Prime	KB	03/23/16
Interior Weight	504 lbs			

PACKAGE PART NUMBERS:  
**HVTPHVAC-L**  
**INSTALLED - 6 HRS**

8 7 6 5 4 3 2 1

8 7 6 5 4 3 2 1

# HARBOR TRUCK BODIES

## PHVAC PACKAGE & PARTITION

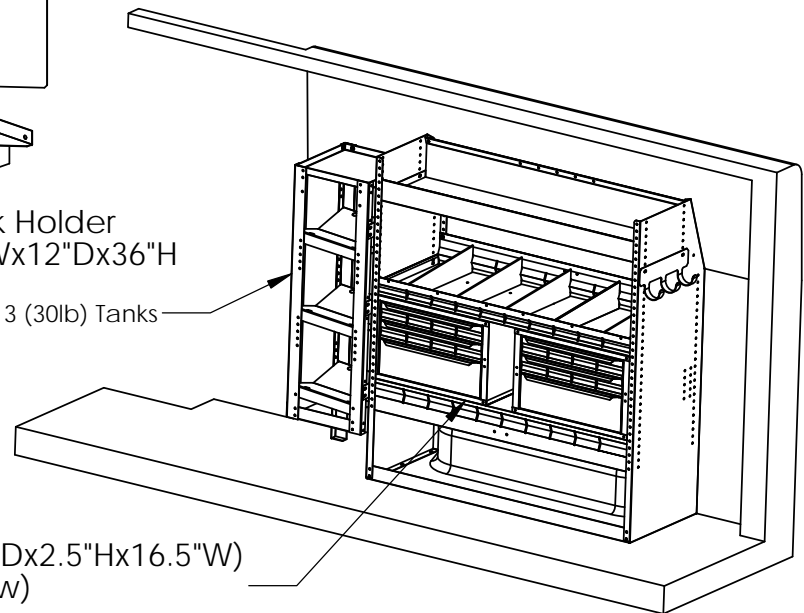
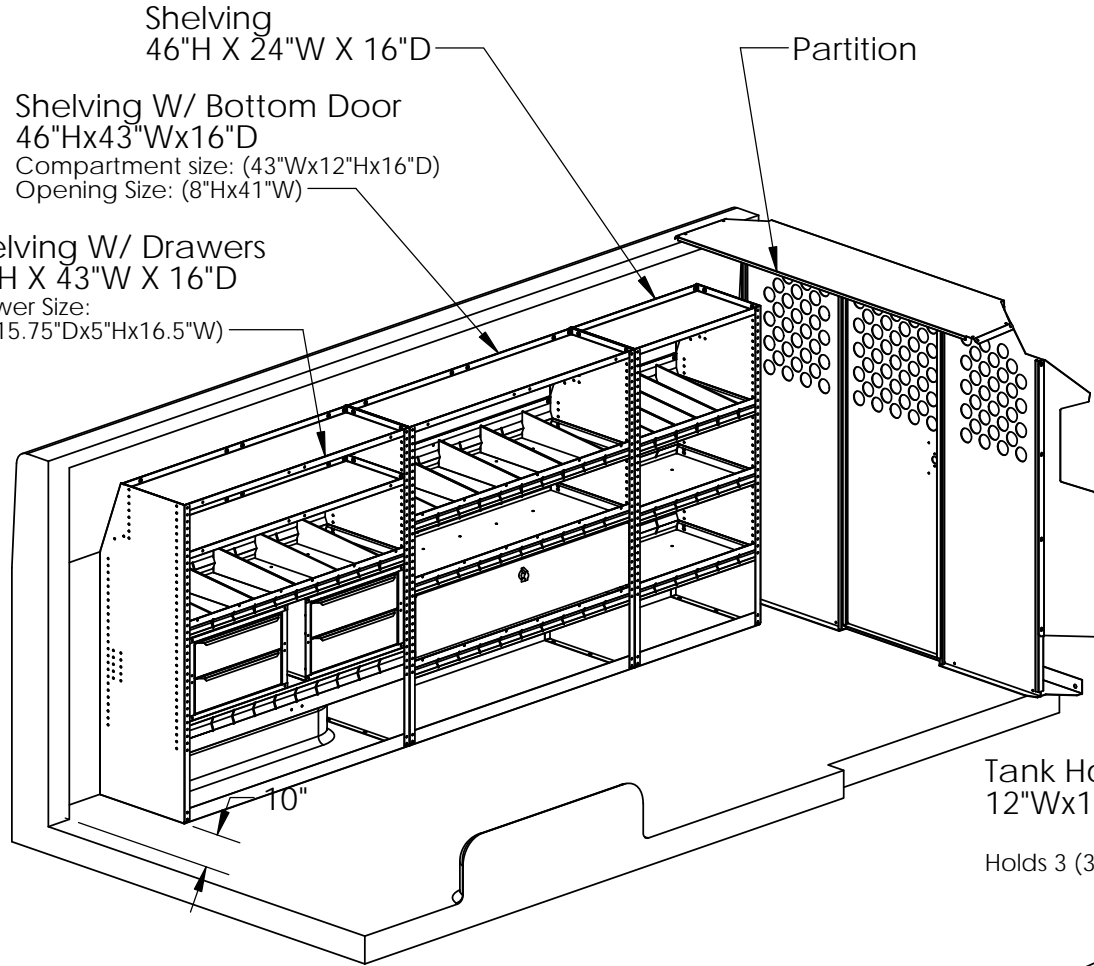
### FOR 148" WHEEL BASE FORD TRANSIT WITH LOW ROOF

REV	DWG	DATE	CHANGE DESCRIPTION
1	KB	05/26/15	CREATED PRINT
2	KB	01/27/21	REMOVED SIDE NOTCH.

THE INFORMATION CONTAINED IN THIS DRAWING IS THE SOLE PROPERTY OF HARBOR TRUCK BODIES. ANY REPRODUCTION IN PART OR WHOLE WITHOUT THE WRITTEN PERMISSION OF HARBOR TRUCK BODIES IS PROHIBITED.

D  
C  
B  
A

D  
C  
B  
A



Shelving W/6 Drawers  
46"Hx43"Wx16"D

Drawer Size: 4X (15.75"Dx2.5"Hx16.5"W)  
2x (15.75"Dx5"Hx16.5"W)



UNLESS OTHERWISE SPECIFIED  
DIMENSIONS ARE IN INCHES  
TOLERANCES ARE:  
DECIMALS ANGLES FRACTIONS  
X = +/- .1 X = +/- 1° +/- 1/32"  
.XX = +/- .03

SIZE	DESCRIPTION	FINISH	DRAWN	DATE
A	Harbor Van Transit PHVAC Package	Epoxy Prime	KB	03/23/16
Interior Weight	504 lbs			

PACKAGE PART NUMBERS:  
HVTPHVAC-L-148  
**INSTALLED - 6.8 HRS**

8 7 6 5 4 3 2 1



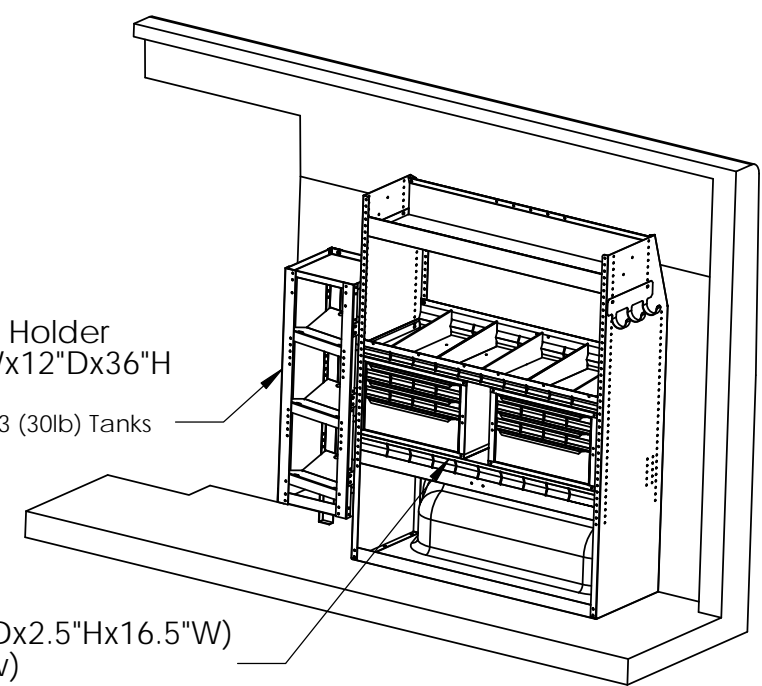
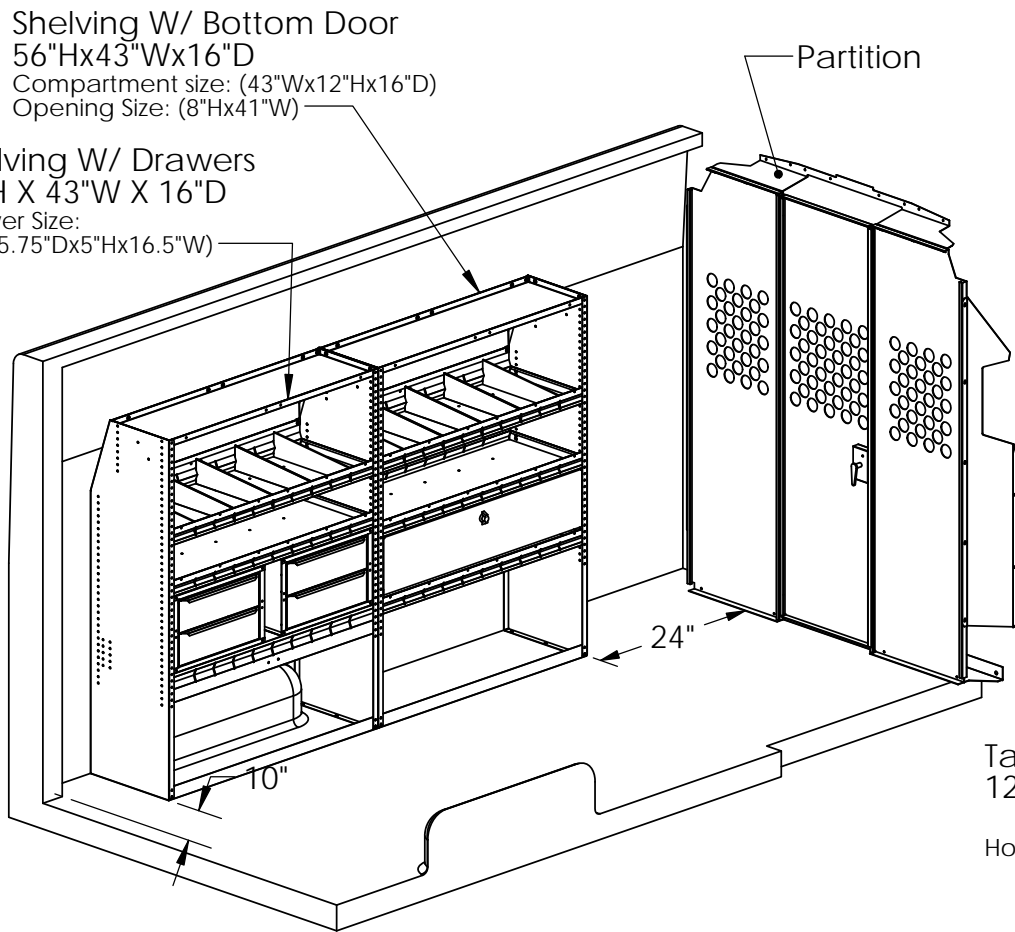
# HARBOR TRUCK BODIES

## PHVAC PACKAGE & PARTITION

### FOR 148" WHEEL BASE FORD TRANSIT WITH MEDIUM ROOF

REV	DWG	DATE	CHANGE DESCRIPTION
1	KB	05/26/15	CREATED PRINT
2	KB	01/27/21	REMOVED SIDE NOTCH.

THE INFORMATION CONTAINED IN THIS DRAWING IS THE SOLE PROPERTY OF HARBOR TRUCK BODIES. ANY REPRODUCTION IN PART OR WHOLE WITHOUT THE WRITTEN PERMISSION OF HARBOR TRUCK BODIES IS PROHIBITED.



Shelving W/6 Drawers  
56"Hx43"Wx16"D

Drawer Size: 4X (15.75"Dx2.5"Hx16.5"W)  
2x (15.75"Dx5"Hx16.5"W)



UNLESS OTHERWISE SPECIFIED  
DIMENSIONS ARE IN INCHES  
TOLERANCES ARE:  
DECIMALS ANGLES FRACTIONS  
X = +/- .1 X = +/- 1° +/- 1/32"  
XX = +/- .03

SIZE	DESCRIPTION	FINISH	DRAWN	DATE
A	Harbor Van Transit PHVAC Package	Epoxy Prime	KB	03/23/16
	Interior Weight			
	527 lbs			

**PACKAGE PART NUMBERS:**  
HVTPHVAC-M  
**INSTALLED - 6 HRS**

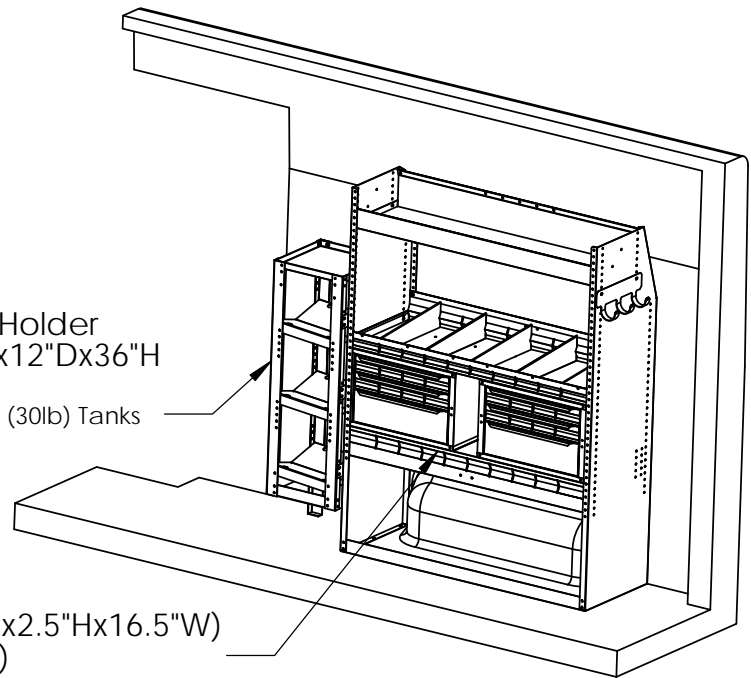
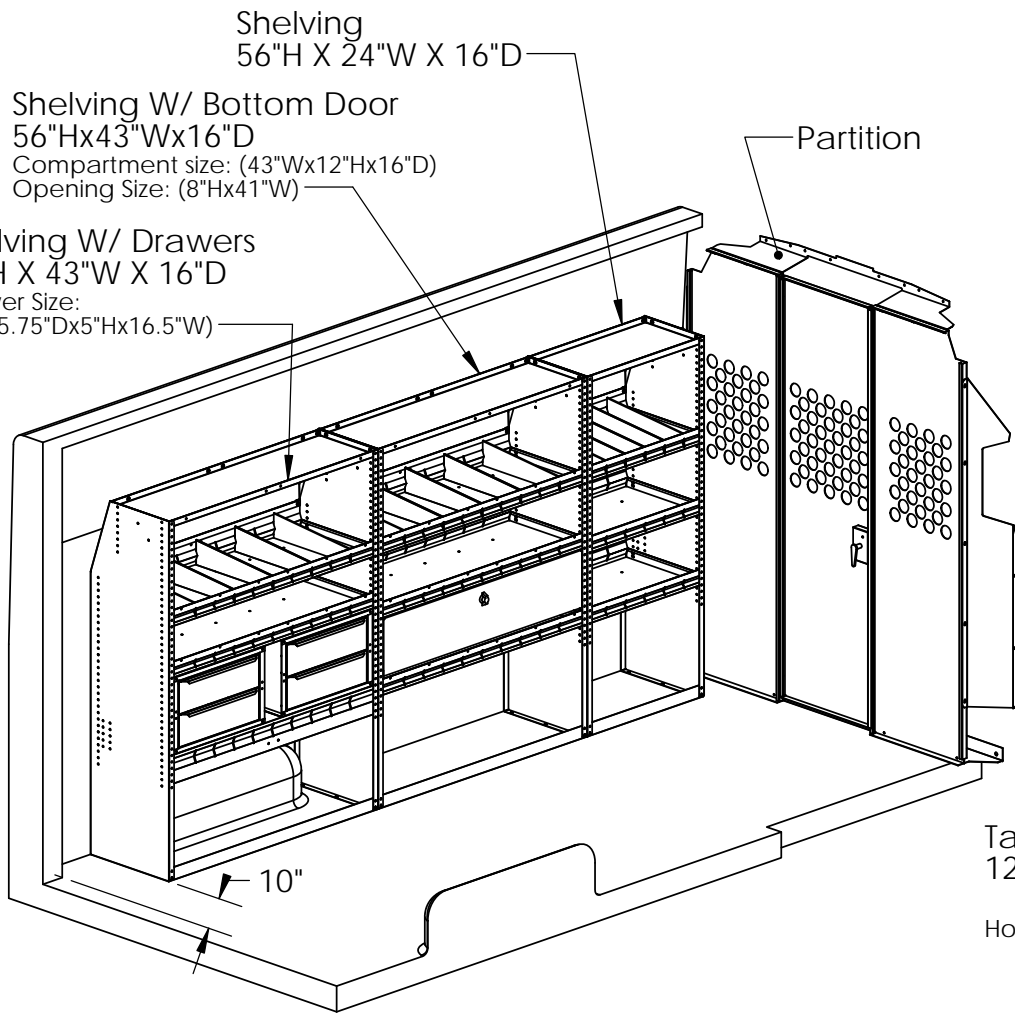
# HARBOR TRUCK BODIES

## PHVAC PACKAGE & PARTITION

### FOR 148" WHEEL BASE FORD TRANSIT WITH MEDIUM ROOF

REV	DWG	DATE	CHANGE DESCRIPTION
1	KB	05/26/15	CREATED PRINT
2	KB	01/27/21	REMOVED SIDE NOTCH.

THE INFORMATION CONTAINED IN THIS DRAWING IS THE SOLE PROPERTY OF HARBOR TRUCK BODIES. ANY REPRODUCTION IN PART OR WHOLE WITHOUT THE WRITTEN PERMISSION OF HARBOR TRUCK BODIES IS PROHIBITED.



Shelving W/6 Drawers  
56"Hx43"Wx16"D

Drawer Size: 4X (15.75"Dx2.5"Hx16.5"W)  
2x (15.75"Dx5"Hx16.5"W)



UNLESS OTHERWISE SPECIFIED  
DIMENSIONS ARE IN INCHES  
TOLERANCES ARE:  
DECIMALS ANGLES FRACTIONS  
X = +/- .1 X = +/- 1° +/- 1/32"  
.XX = +/- .03

SIZE	DESCRIPTION	DRAWN	DATE
A	Harbor Van Transit PHVAC Package	KB	03/23/16
	Interior Weight 527 lbs		
	FINISH Epoxy Prime		

**PACKAGE PART NUMBERS:**  
HVTPHVAC-M-148

**INSTALLED - 6.8 HRS**