

HARBOR TRUCK BODIES

GENERAL SERVICE PACKAGE & PARTITION

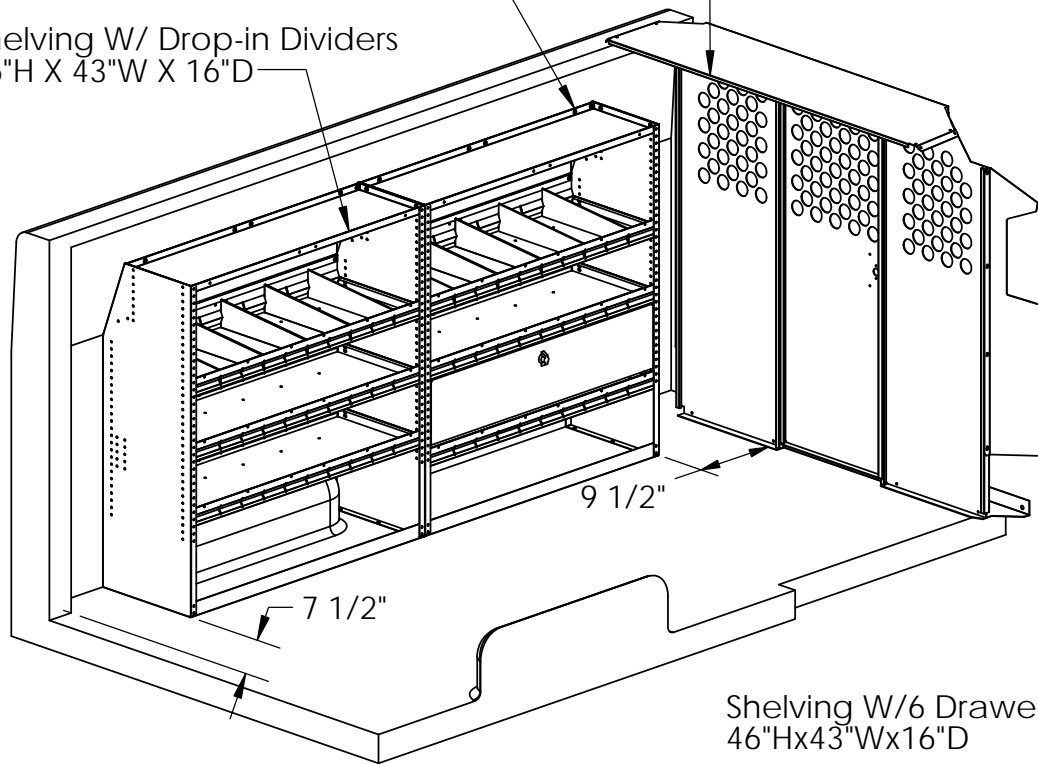
FOR 130" WHEEL BASE FORD TRANSIT WITH LOW ROOF

REV	DWG	DATE	CHANGE DESCRIPTION
1	KB	05/26/15	CREATED PRINT
2	KB	01/27/21	REMOVED SIDE NOTCH.

Shelving W/ Bottom Door
 46"Hx43"Wx16"D
 Compartment size: (43"Wx12"Hx16"D)
 Opening Size: (8"Hx41"W)

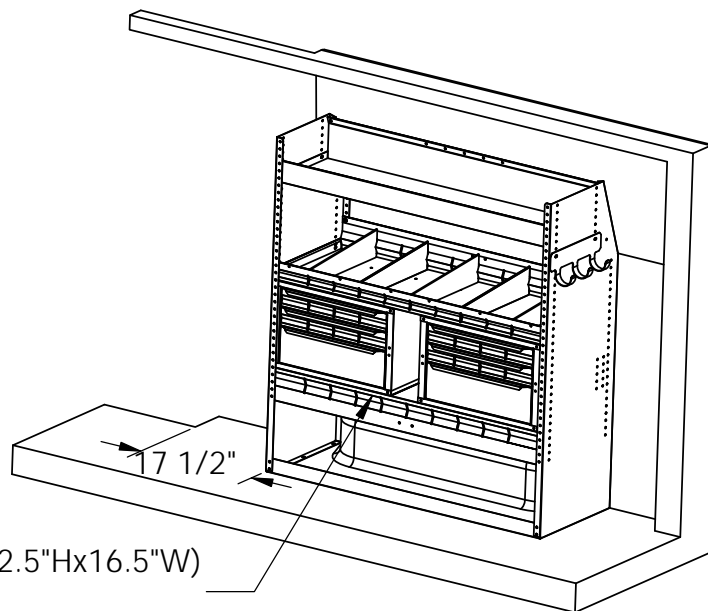
Shelving W/ Drop-in Dividers
 46"H X 43"W X 16"D

Partition



Shelving W/6 Drawers
 46"Hx43"Wx16"D

Drawer Size: 4X (15.75"Dx2.5"Hx16.5"W)
 2x (15.75"Dx5"Hx16.5"w)



THE INFORMATION CONTAINED IN THIS DRAWING IS THE SOLE PROPERTY OF HARBOR TRUCK BODIES. ANY REPRODUCTION IN PART OR WHOLE WITHOUT THE WRITTEN PERMISSION OF HARBOR TRUCK BODIES IS PROHIBITED.



UNLESS OTHERWISE SPECIFIED
 DIMENSIONS ARE IN INCHES
 TOLERANCES ARE:
 DECIMALS ANGLES FRACTIONS
 .X = +/- .1 X = +/- 1° +/- 1/32"
 .XX = +/- .03

SIZE	DESCRIPTION	FINISH	DRAWN	DATE
A	Harbor Van Transit General Service Package	Epoxy Prime	KB	03/23/16
Interior Weight	432 lbs			

PACKAGE PART NUMBERS:
HVTGS-L
INSTALLED - 5 HRS

HARBOR TRUCK BODIES

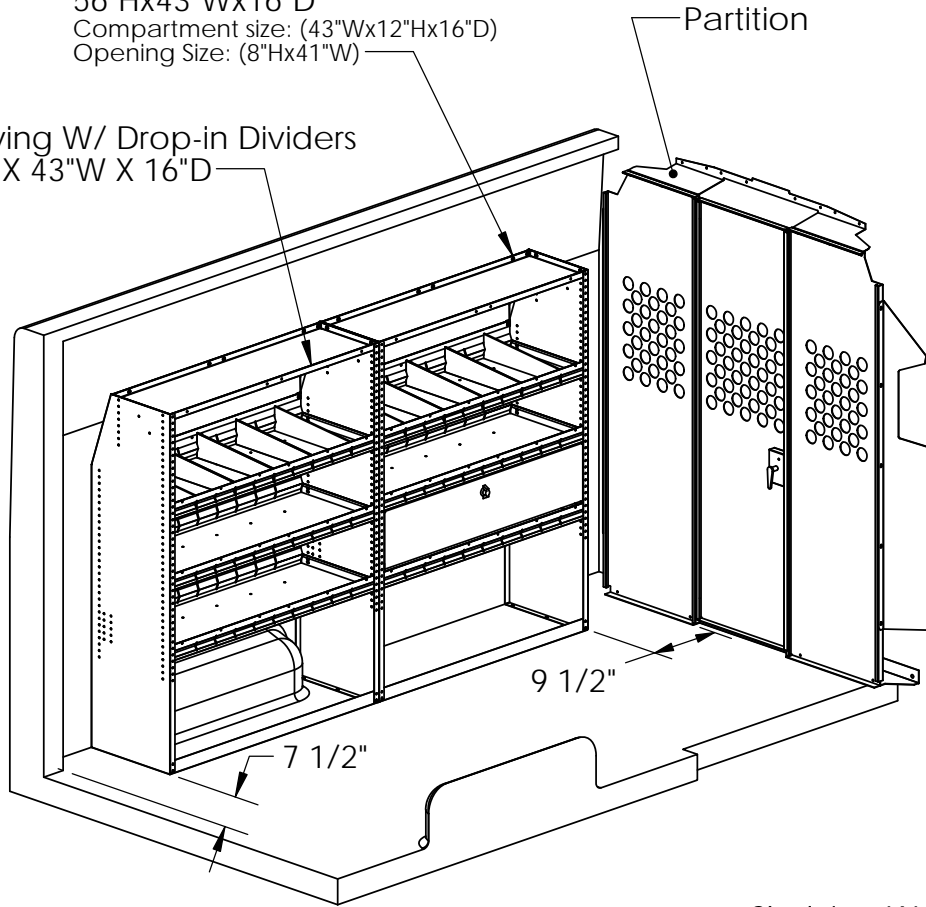
GENERAL SERVICE PACKAGE & PARTITION

FOR 130" WHEEL BASE FORD TRANSIT WITH MEDIUM ROOF

REV	DWG	DATE	CHANGE DESCRIPTION
1	KB	05/26/15	CREATED PRINT
2	KB	01/27/21	REMOVED SIDE NOTCH.

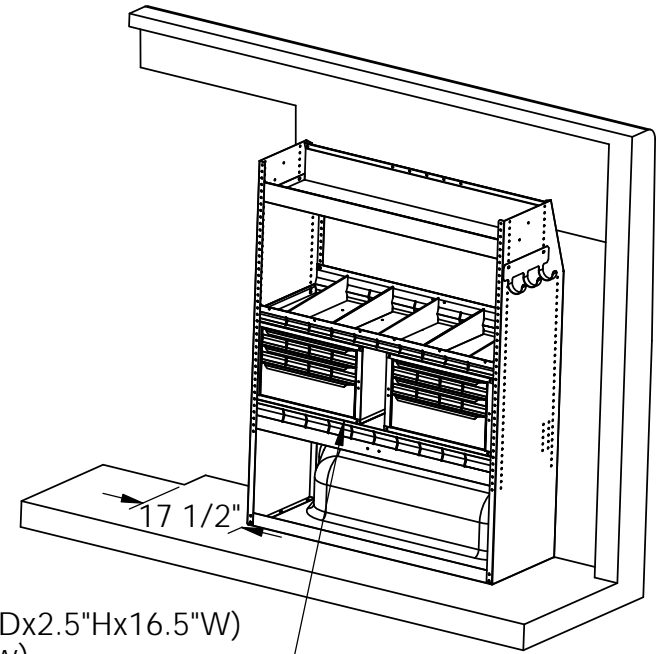
Shelving W/ Bottom Door
 56"Hx43"Wx16"D
 Compartment size: (43"Wx12"Hx16"D)
 Opening Size: (8"Hx41"W)

Shelving W/ Drop-in Dividers
 56"H X 43"W X 16"D



Shelving W/6 Drawers
 56"Hx43"Wx16"D

Drawer Size: 4X (15.75"Dx2.5"Hx16.5"W)
 2x (15.75"Dx5"Hx16.5"w)



THE INFORMATION CONTAINED IN THIS DRAWING IS THE SOLE PROPERTY OF HARBOR TRUCK BODIES ANY REPRODUCTION IN PART OR WHOLE WITHOUT THE WRITTEN PERMISSION OF HARBOR TRUCK BODIES IS PROHIBITED.



UNLESS OTHERWISE SPECIFIED
 DIMENSIONS ARE IN INCHES
 TOLERANCES ARE:
 DECIMALS ANGLES FRACTIONS
 X = +/- .1 X = +/- 1° +/- 1/32"
 .XX = +/- .03

SIZE	DESCRIPTION	FINISH	DRAWN	DATE
A	Harbor Van Transit General Service Package	Epoxy Prime	KB	03/23/16
Interior Weight	451 lbs			

PACKAGE PART NUMBERS:
HVTGS-M
INSTALLED - 5 HRS

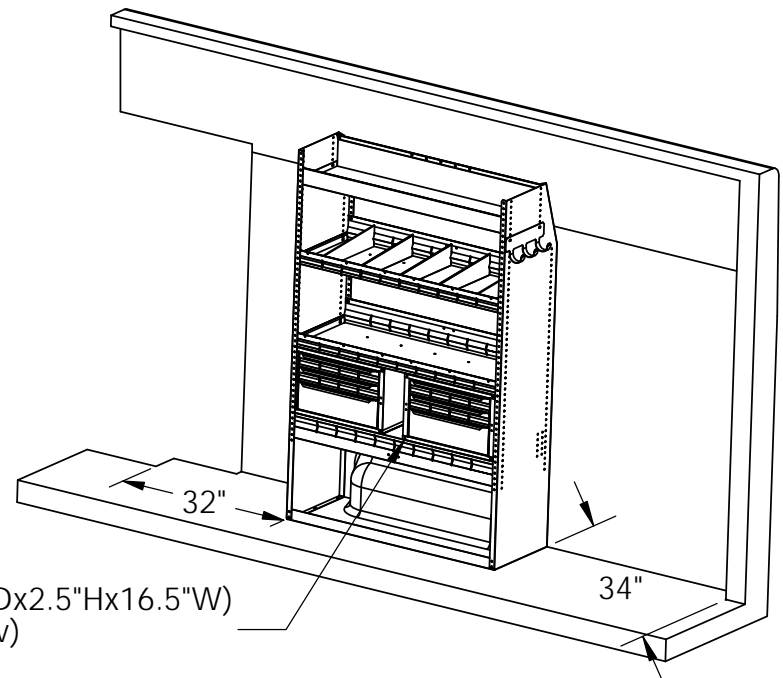
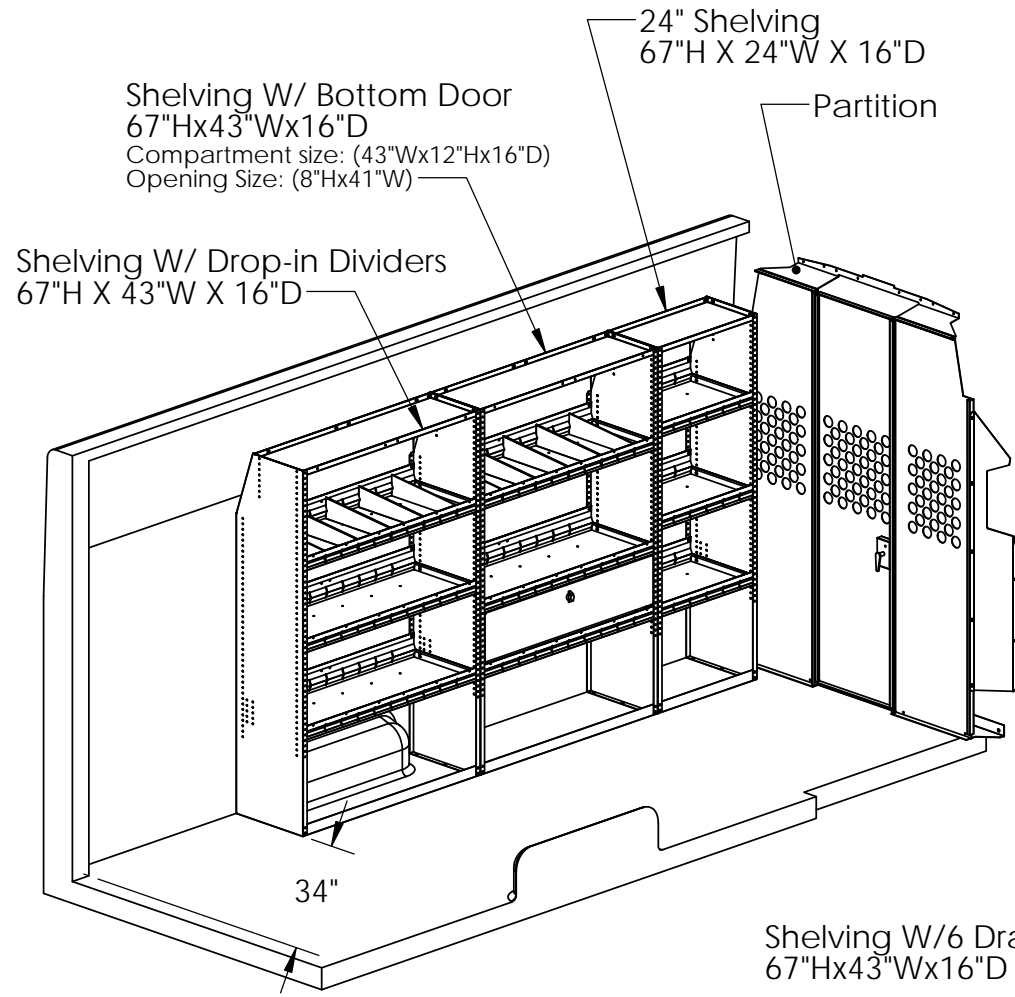
HARBOR TRUCK BODIES

GENERAL SERVICE PACKAGE & PARTITION

FOR 148" EXTENDED WHEEL BASE FORD TRANSIT

REV	DWG	DATE	CHANGE DESCRIPTION
1	KB	05/26/15	CREATED PRINT
2	KB	01/27/21	REMOVED SIDE NOTCH.

THE INFORMATION CONTAINED IN THIS DRAWING IS THE SOLE PROPERTY OF HARBOR TRUCK BODIES. ANY REPRODUCTION IN PART OR WHOLE WITHOUT THE WRITTEN PERMISSION OF HARBOR TRUCK BODIES IS PROHIBITED.



UNLESS OTHERWISE SPECIFIED
DIMENSIONS ARE IN INCHES
TOLERANCES ARE:
DECIMALS ANGLES FRACTIONS
X = +/- .1 X = +/- 1° +/- 1/32"
.XX = +/- .03

SIZE	DESCRIPTION	FINISH	DRAWN	DATE
A	Harbor Van Transit General Service Package	Epoxy Prime	KB	03/23/16
Interior Weight	621 lbs			

PACKAGE PART NUMBERS:
HVTGS-H-148
INSTALLED - 6 HRS

8 7 6 5 4 3 2 1

D
C
B
A

D
C
B
A

8 7 6 5 4 3 2 1

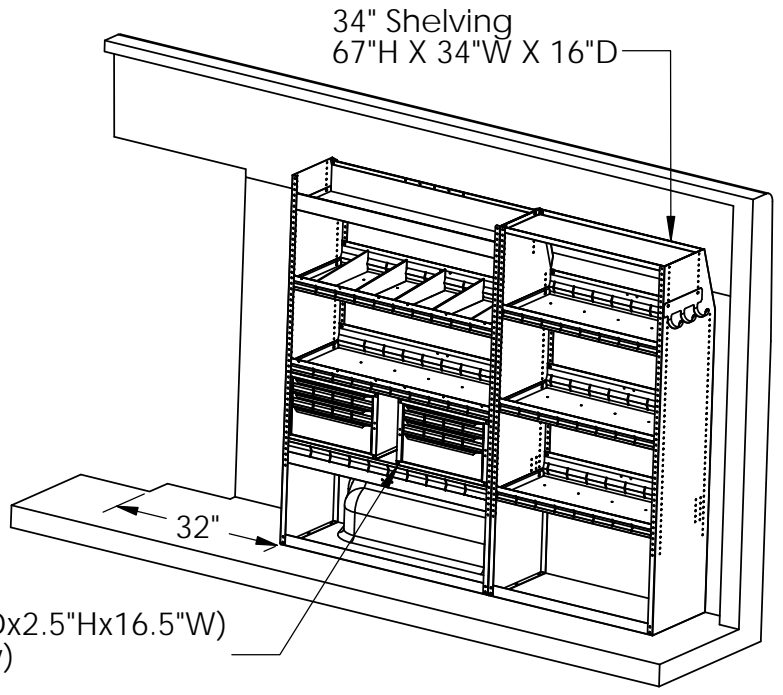
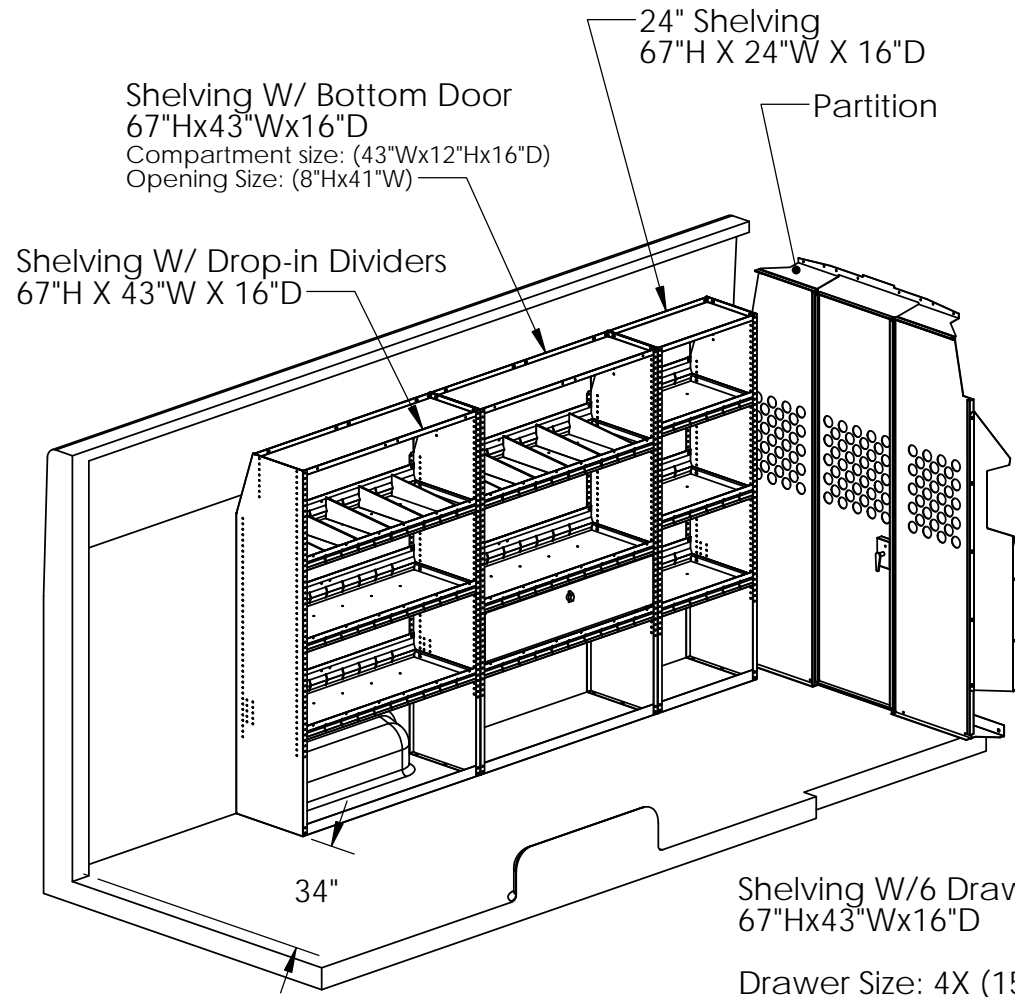
HARBOR TRUCK BODIES

GENERAL SERVICE PACKAGE & PARTITION

FOR 148" EXTENDED WHEEL BASE FORD TRANSIT

REV	DWG	DATE	CHANGE DESCRIPTION
1	KB	05/26/15	CREATED PRINT
2	KB	01/27/21	REMOVED SIDE NOTCH.

THE INFORMATION CONTAINED IN THIS DRAWING IS THE SOLE PROPERTY OF HARBOR TRUCK BODIES. ANY REPRODUCTION IN PART OR WHOLE WITHOUT THE WRITTEN PERMISSION OF HARBOR TRUCK BODIES IS PROHIBITED.



UNLESS OTHERWISE SPECIFIED
DIMENSIONS ARE IN INCHES
TOLERANCES ARE:
DECIMALS ANGLES FRACTIONS
X = +/- .1 X = +/- 1° +/- 1/32"
.XX = +/- .03

SIZE	DESCRIPTION	FINISH	DRAWN	DATE
A	Harbor Van Transit General Service Package	Epoxy Prime	KB	03/23/16
Interior Weight	621 lbs			

PACKAGE PART NUMBERS:
HVTGS-H-148E
INSTALLED - 6.75 HRS

HARBOR TRUCK BODIES

GENERAL SERVICE PACKAGE & PARTITION

FOR 148" WHEEL BASE FORD TRANSIT WITH HIGH ROOF

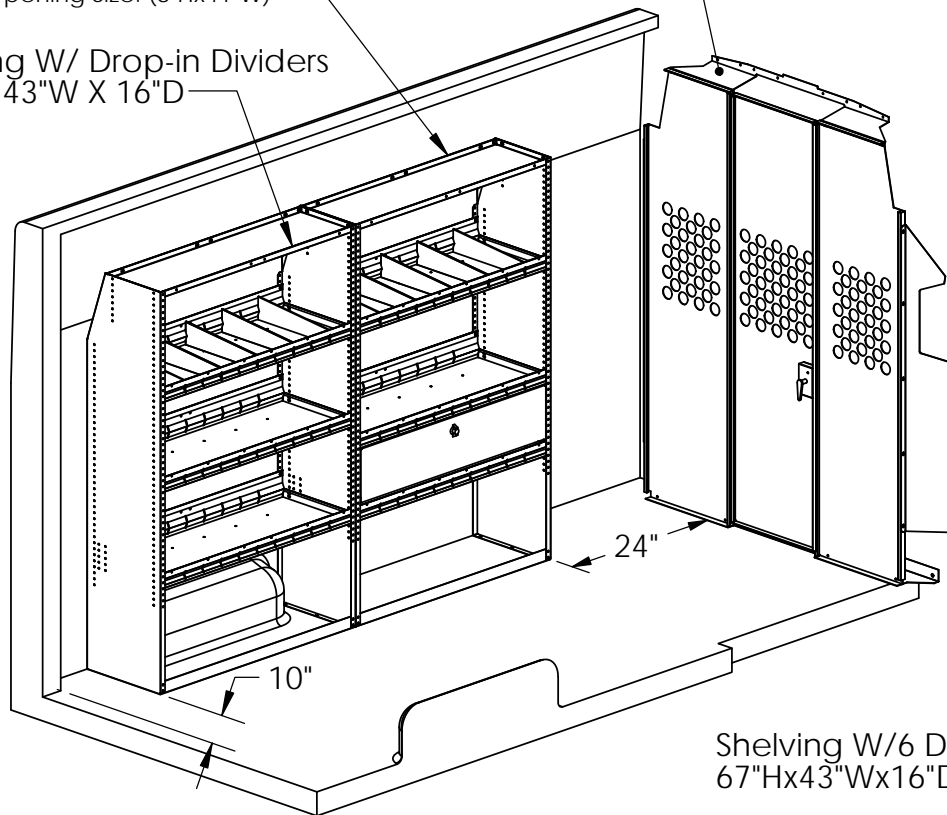
REV	DWG	DATE	CHANGE DESCRIPTION
1	KB	05/2/X15	CREATED PRINT
2	KB	01/27/21	REMOVED SIDE NOTCH.

THE INFORMATION CONTAINED IN THIS DRAWING IS THE SOLE PROPERTY OF HARBOR TRUCK BODIES. ANY REPRODUCTION IN PART OR WHOLE WITHOUT THE WRITTEN PERMISSION OF HARBOR TRUCK BODIES IS PROHIBITED.

Shelving W/ Bottom Door
67"Hx43"Wx16"D
Compartment size: (43"Wx12"Hx16"D)
Opening Size: (8"Hx41"W)

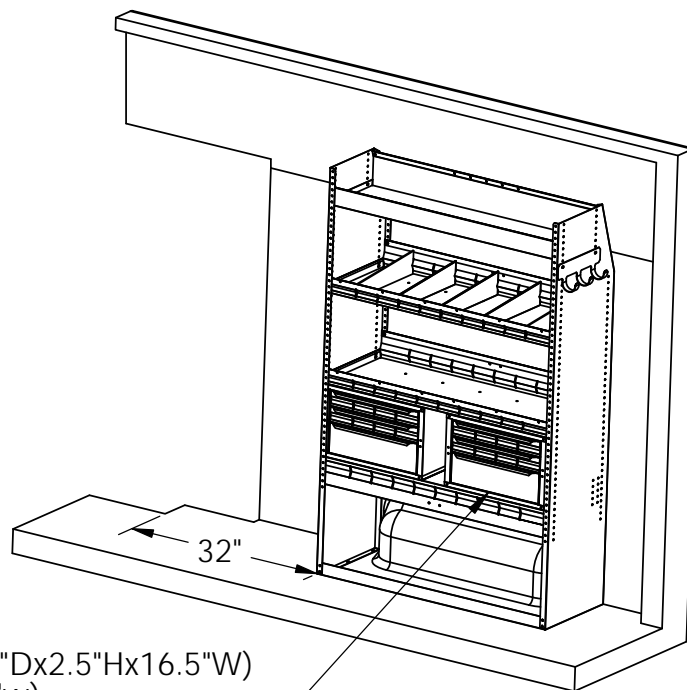
Shelving W/ Drop-in Dividers
67"H X 43"W X 16"D

Partition



Shelving W/6 Drawers
67"Hx43"Wx16"D

Drawer Size: 4X (15.75"Dx2.5"Hx16.5"W)
2x (15.75"Dx5"Hx16.5"W)



UNLESS OTHERWISE SPECIFIED
DIMENSIONS ARE IN INCHES
TOLERANCES ARE:
DECIMALS ANGLES FRACTIONS
X = +/- .1 X = +/- 1° +/- 1/32"
.XX = +/- .03

SIZE	DESCRIPTION	FINISH	DRAWN	DATE
A	Harbor Van Transit General Service Package	Epoxy Prime	KB	03/23/16
Interior Weight	482 lbs			

PACKAGE PART NUMBERS:
HVTGS-H
INSTALLED - 5 HRS

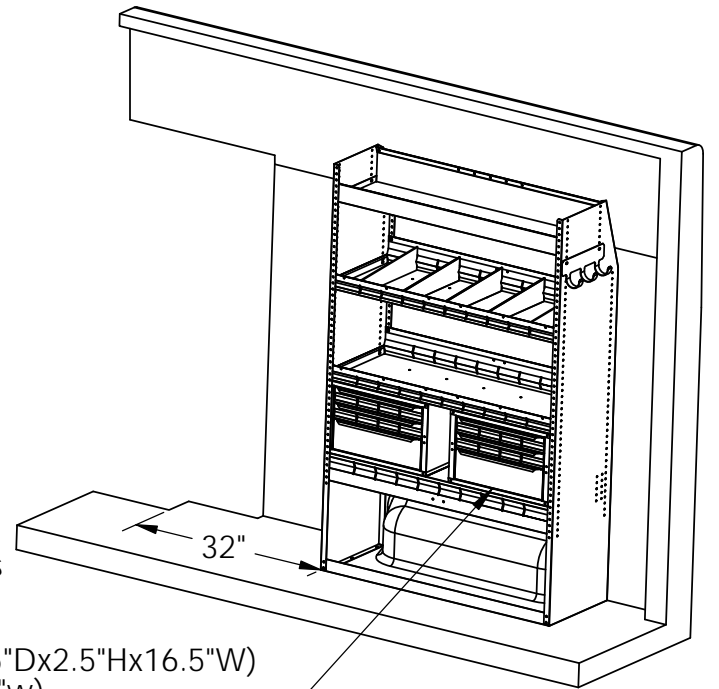
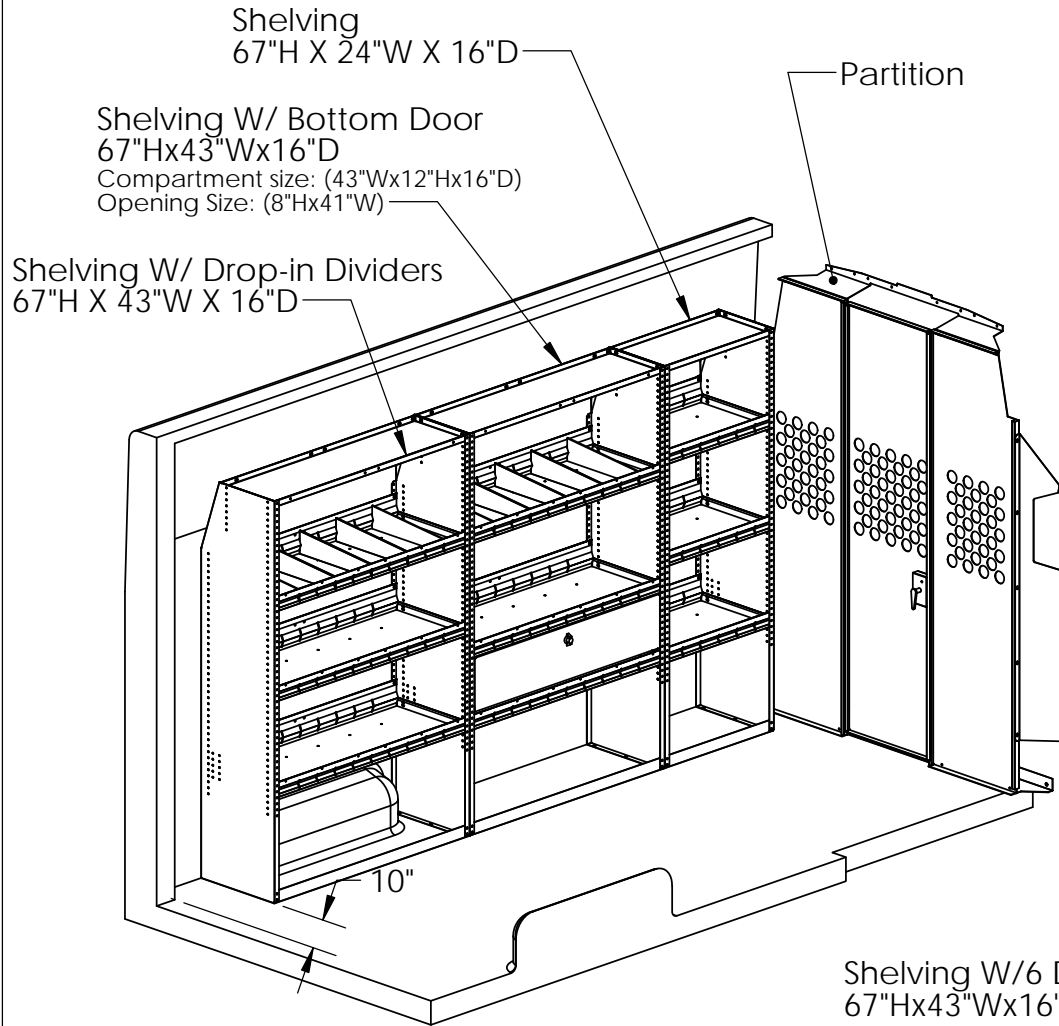
HARBOR TRUCK BODIES

GENERAL SERVICE PACKAGE & PARTITION

FOR 148" WHEEL BASE FORD TRANSIT WITH HIGH ROOF

REV	DWG	DATE	CHANGE DESCRIPTION
1	KB	05/2/X15	CREATED PRINT
2	KB	01/27/21	REMOVED SIDE NOTCH.

THE INFORMATION CONTAINED IN THIS DRAWING IS THE SOLE PROPERTY OF HARBOR TRUCK BODIES. ANY REPRODUCTION IN PART OR WHOLE WITHOUT THE WRITTEN PERMISSION OF HARBOR TRUCK BODIES IS PROHIBITED.



UNLESS OTHERWISE SPECIFIED
DIMENSIONS ARE IN INCHES
TOLERANCES ARE:
DECIMALS ANGLES FRACTIONS
X = +/- .1 X = +/- 1° +/- 1/32"
XX = +/- .03

SIZE	DESCRIPTION	FINISH	DRAWN	DATE
A	Harbor Van Transit General Service Package	Epoxy Prime	KB	03/23/16
Interior Weight	482 lbs			

PACKAGE PART NUMBERS:
HVTGS-H-148
INSTALLED - 5.75 HRS

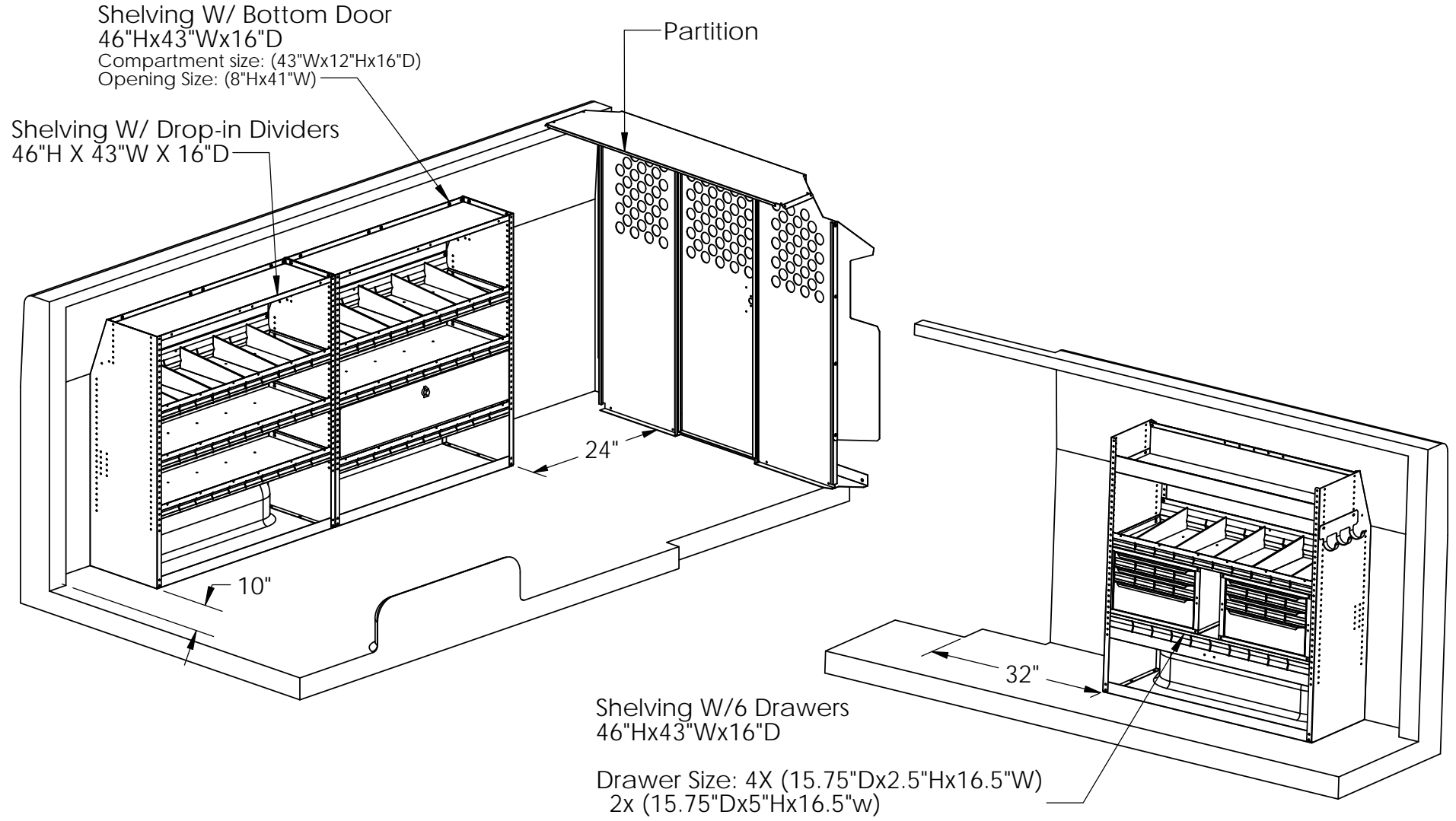
HARBOR TRUCK BODIES

GENERAL SERVICE PACKAGE & PARTITION

FOR 148" WHEEL BASE FORD TRANSIT WITH LOW ROOF

REV	DWG	DATE	CHANGE DESCRIPTION
1	KB	05/26/15	CREATED PRINT
2	KB	01/27/21	REMOVED SIDE NOTCH.

THE INFORMATION CONTAINED IN THIS DRAWING IS THE SOLE PROPERTY OF HARBOR TRUCK BODIES. ANY REPRODUCTION IN PART OR WHOLE WITHOUT THE WRITTEN PERMISSION OF HARBOR TRUCK BODIES IS PROHIBITED.



Shelving W/ Bottom Door
46"Hx43"Wx16"D
Compartment size: (43"Wx12"Hx16"D)
Opening Size: (8"Hx41"W)

Shelving W/ Drop-in Dividers
46"H X 43"W X 16"D

Partition

24"

10"

Shelving W/6 Drawers
46"Hx43"Wx16"D

Drawer Size: 4X (15.75"Dx2.5"Hx16.5"W)
2x (15.75"Dx5"Hx16.5"w)

32"



UNLESS OTHERWISE SPECIFIED
DIMENSIONS ARE IN INCHES
TOLERANCES ARE:
DECIMALS ANGLES FRACTIONS
X = +/- .1 X = +/- 1° +/- 1/32"
.XX = +/- .03

SIZE	DESCRIPTION	FINISH	DRAWN	DATE
A	Harbor Van Transit General Service Package	Epoxy Prime	KB	03/23/16
Interior Weight	432 lbs			

PACKAGE PART NUMBERS:
HVTGS-L
INSTALLED - 5 HRS

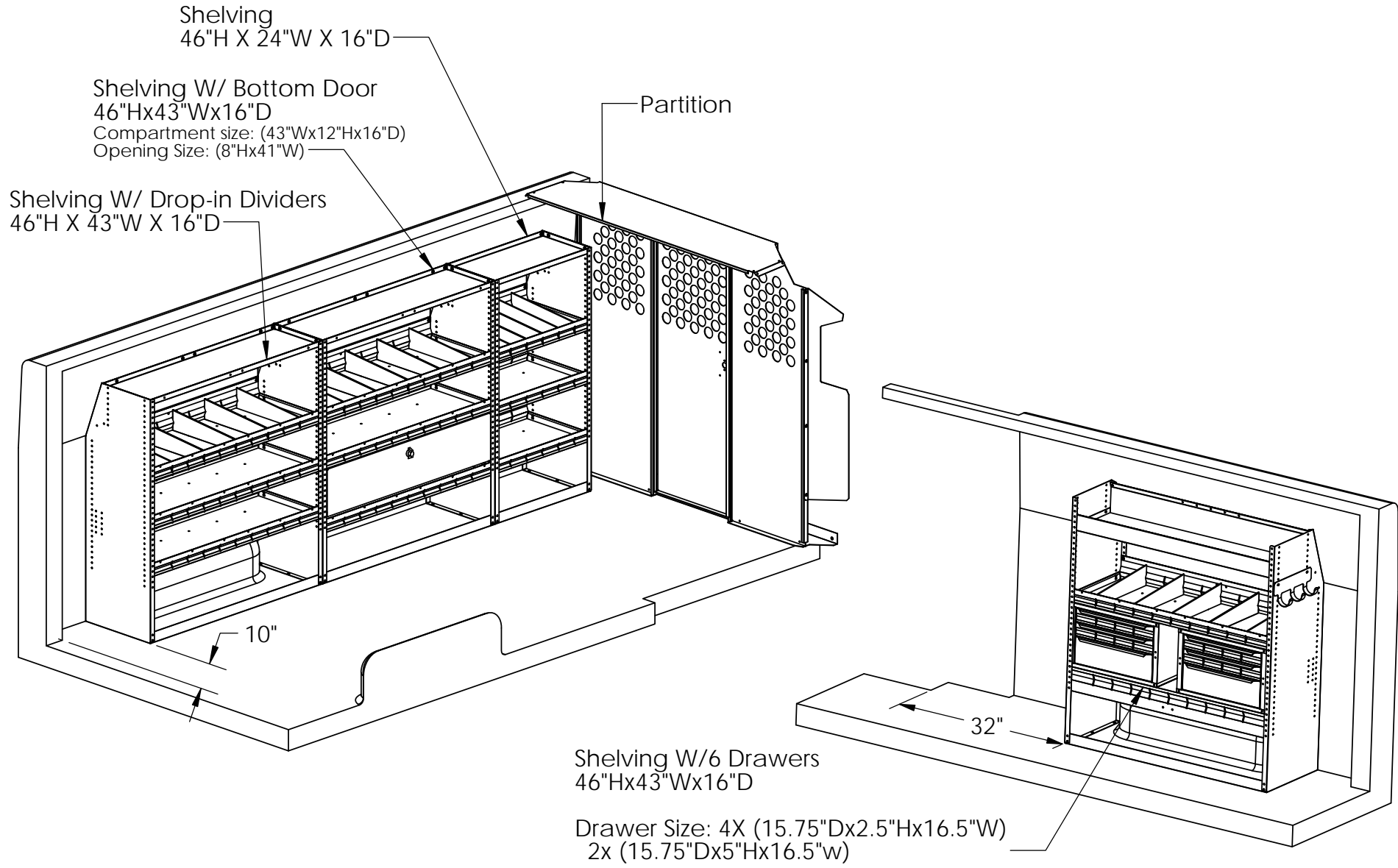
HARBOR TRUCK BODIES

GENERAL SERVICE PACKAGE & PARTITION

FOR 148" WHEEL BASE FORD TRANSIT WITH LOW ROOF

REV	DWG	DATE	CHANGE DESCRIPTION
1	KB	05/26/15	CREATED PRINT
2	KB	01/27/21	REMOVED SIDE NOTCH.

THE INFORMATION CONTAINED IN THIS DRAWING IS THE SOLE PROPERTY OF HARBOR TRUCK BODIES. ANY REPRODUCTION IN PART OR WHOLE WITHOUT THE WRITTEN PERMISSION OF HARBOR TRUCK BODIES IS PROHIBITED.



UNLESS OTHERWISE SPECIFIED
DIMENSIONS ARE IN INCHES
TOLERANCES ARE:
DECIMALS ANGLES FRACTIONS
X = +/- .1 X = +/- 1° +/- 1/32"
.XX = +/- .03

SIZE	DESCRIPTION	FINISH	DRAWN	DATE
A	Harbor Van Transit General Service Package	Epoxy Prime	KB	03/23/16
Interior Weight	432 lbs			

PACKAGE PART NUMBERS:
HVTGS-L-148
INSTALLED - 5.8 HRS