

HARBOR TRUCK BODIES

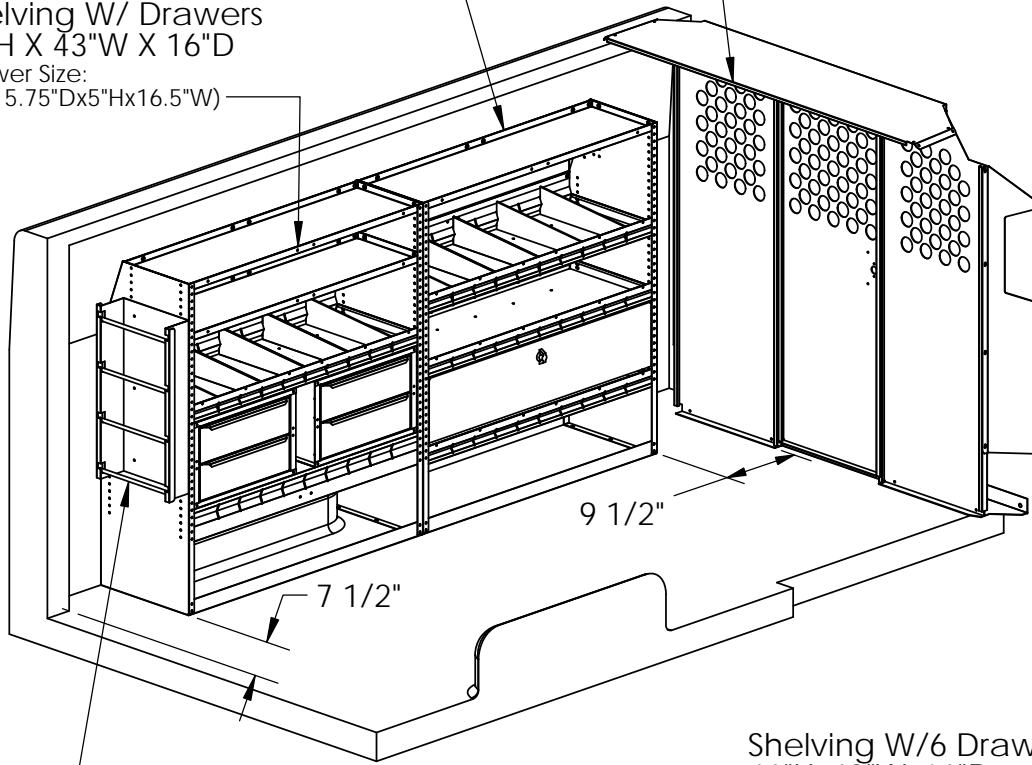
ELECTRICAL CONTRACTOR PACKAGE & PARTITION FOR 130" WHEEL BASE FORD TRANSIT WITH LOW ROOF

REV	DWG	DATE	CHANGE DESCRIPTION
1	KB	05/26/15	CREATED PRINT
2	KB	01/27/21	REMOVED SIDE NOTCH.

Shelving W/ Bottom Door
46"Hx43"Wx16"D
Compartment size: (43"Wx12"Hx16"D)
Opening Size: (8"Hx41"W)

Partition

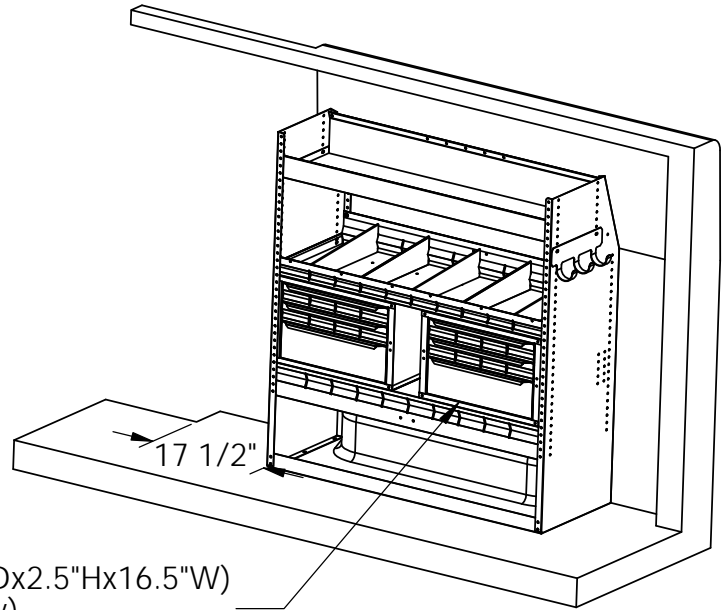
Shelving W/ Drawers
46"H X 43"W X 16"D
Drawer Size:
4X (15.75"Dx5"Hx16.5"W)



Wire Spool Rack
Holds 4 (6.5" DIA) Spools

Shelving W/6 Drawers
46"Hx43"Wx16"D

Drawer Size: 4X (15.75"Dx2.5"Hx16.5"W)
2x (15.75"Dx5"Hx16.5"W)



THE INFORMATION CONTAINED IN THIS DRAWING IS THE SOLE PROPERTY OF HARBOR TRUCK BODIES. ANY REPRODUCTION IN PART OR WHOLE WITHOUT THE WRITTEN PERMISSION OF HARBOR TRUCK BODIES IS PROHIBITED.



UNLESS OTHERWISE SPECIFIED
DIMENSIONS ARE IN INCHES
TOLERANCES ARE:
DECIMALS ANGLES FRACTIONS
X = +/- .1 X = +/- 1° +/- 1/32"
.XX = +/- .03

SIZE	DESCRIPTION	FINISH	DRAWN	DATE
A	Harbor Van Transit Electrical Contractor Package	Epoxy Prime	KB	03/23/16
Interior Weight	493 lbs			

PACKAGE PART NUMBERS:
HVTEC-L
INSTALLED - 5.75 HRS

8 7 6 5 4 3 2 1

THE INFORMATION CONTAINED IN THIS DRAWING IS THE SOLE PROPERTY OF HARBOR TRUCK BODIES. ANY REPRODUCTION IN PART OR WHOLE WITHOUT THE WRITTEN PERMISSION OF HARBOR TRUCK BODIES IS PROHIBITED.

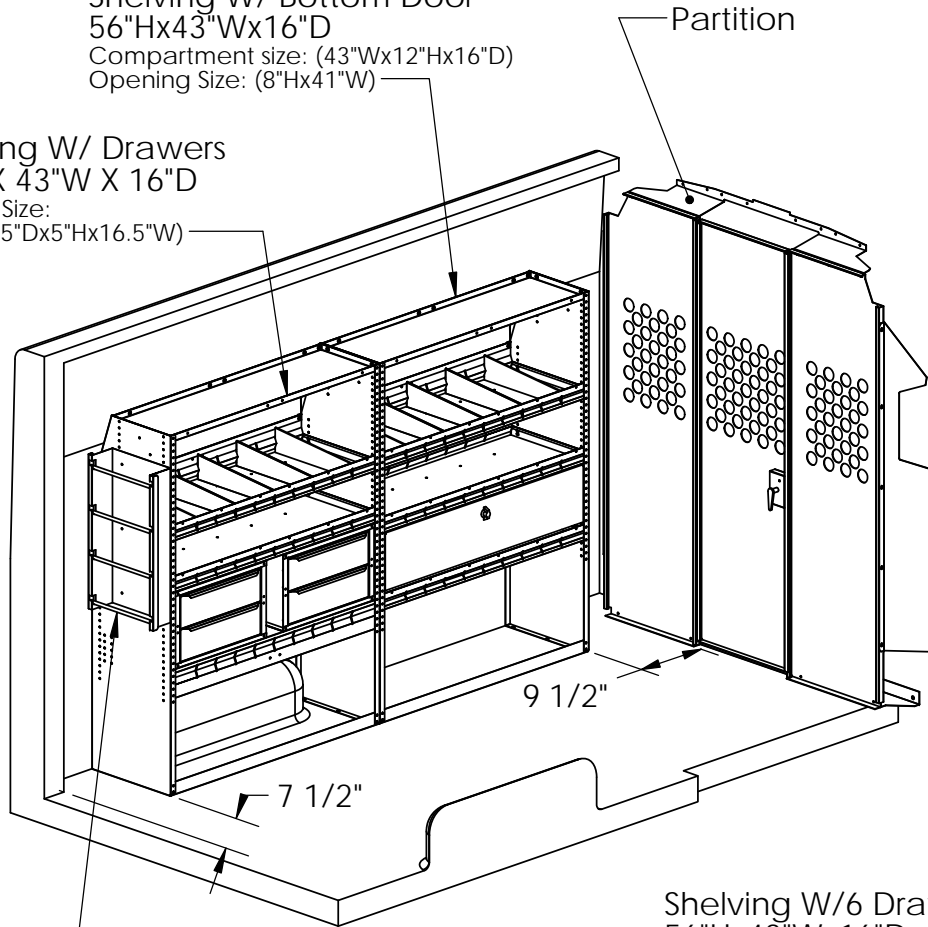
HARBOR TRUCK BODIES

ELECTRICAL CONTRACTOR PACKAGE & PARTITION FOR 130" WHEEL BASE FORD TRANSIT WITH MEDIUM ROOF

REV	DWG	DATE	CHANGE DESCRIPTION
1	KB	05/26/15	CREATED PRINT
2	KB	01/27/21	REMOVED SIDE NOTCH.

Shelving W/ Bottom Door
56"Hx43"Wx16"D
Compartment size: (43"Wx12"Hx16"D)
Opening Size: (8"Hx41"W)

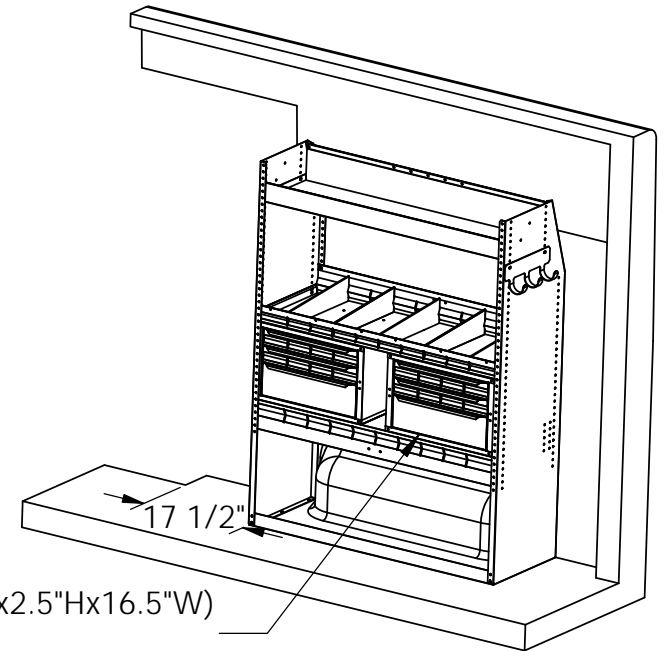
Shelving W/ Drawers
56"H X 43"W X 16"D
Drawer Size:
4X (15.75"Dx5"Hx16.5"W)



Wire Spool Rack
Holds 4 (6.5" DIA) Spools

Shelving W/6 Drawers
56"Hx43"Wx16"D

Drawer Size: 4X (15.75"Dx2.5"Hx16.5"W)
2x (15.75"Dx5"Hx16.5"W)



UNLESS OTHERWISE SPECIFIED
DIMENSIONS ARE IN INCHES
TOLERANCES ARE:
DECIMALS ANGLES FRACTIONS
X = +/- .1 X = +/- 1° +/- 1/32"
.XX = +/- .03

SIZE	DESCRIPTION	FINISH	DRAWN	DATE
A	Harbor Van Transit Electrical Contractor Package	Epoxy Prime	KB	03/23/16
Interior Weight	508 lbs			

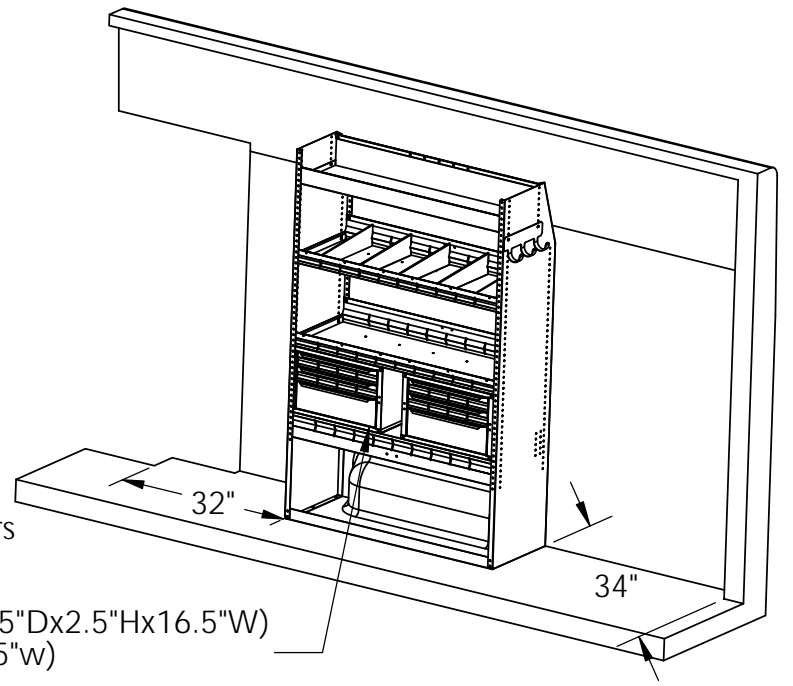
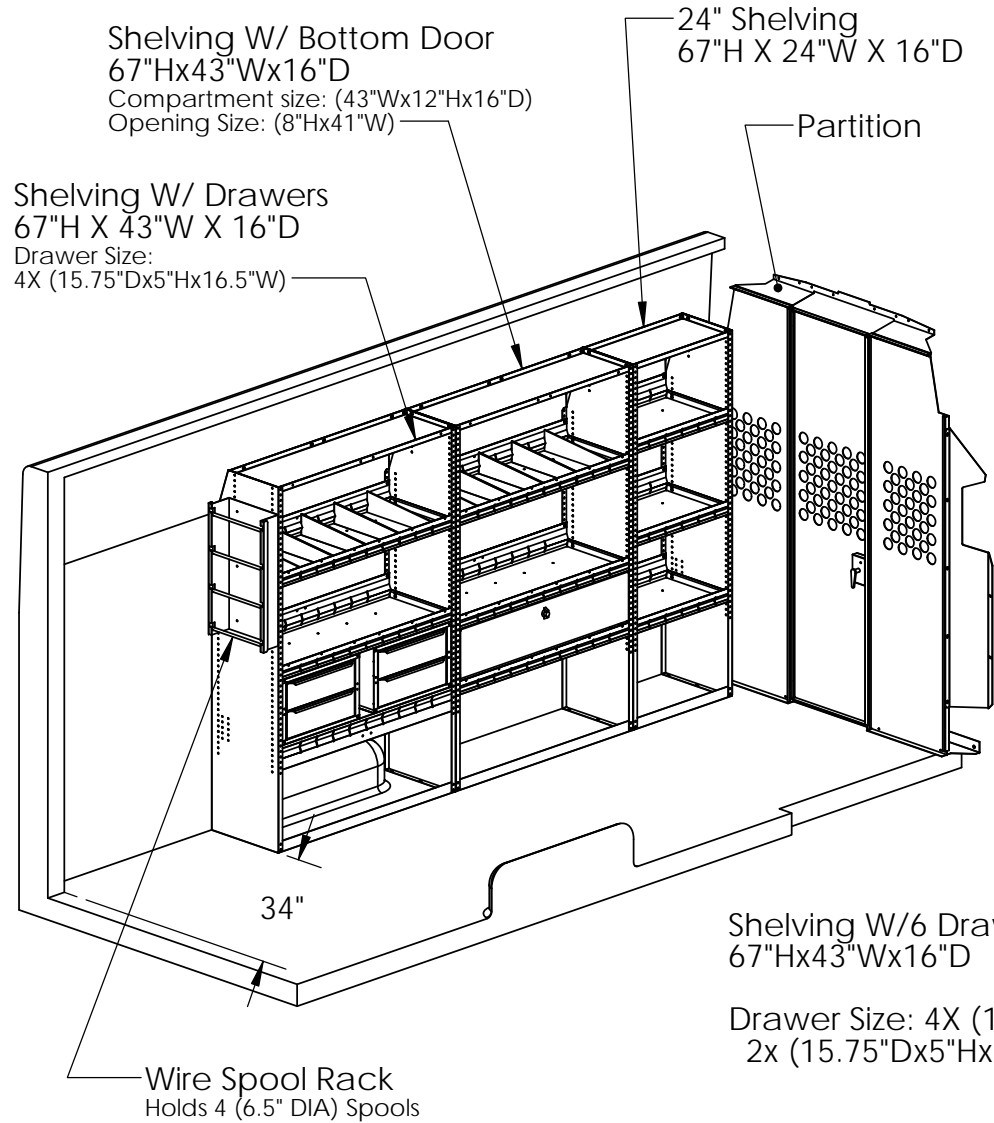
PACKAGE PART NUMBERS:
HVTEC-M
INSTALLED - 5.75 HRS

HARBOR TRUCK BODIES

ELECTRICAL CONTRACTOR PACKAGE & PARTITION FOR 148" EXTENDED WHEEL BASE FORD TRANSIT

REV	DWG	DATE	CHANGE DESCRIPTION
1	KB	05/26/15	CREATED PRINT
2	KB	01/27/21	REMOVED SIDE NOTCH.

THE INFORMATION CONTAINED IN THIS DRAWING IS THE SOLE PROPERTY OF HARBOR TRUCK BODIES. ANY REPRODUCTION IN PART OR WHOLE WITHOUT THE WRITTEN PERMISSION OF HARBOR TRUCK BODIES IS PROHIBITED.



UNLESS OTHERWISE SPECIFIED
DIMENSIONS ARE IN INCHES
TOLERANCES ARE:
DECIMALS ANGLES FRACTIONS
X = +/- .1 X = +/- 1° +/- 1/32"
.XX = +/- .03

SIZE	DESCRIPTION	FINISH	DRAWN	DATE
A	Harbor Van Transit Electrical Contractor Package	Epoxy Prime	KB	03/23/16
Interior Weight	678 lbs			

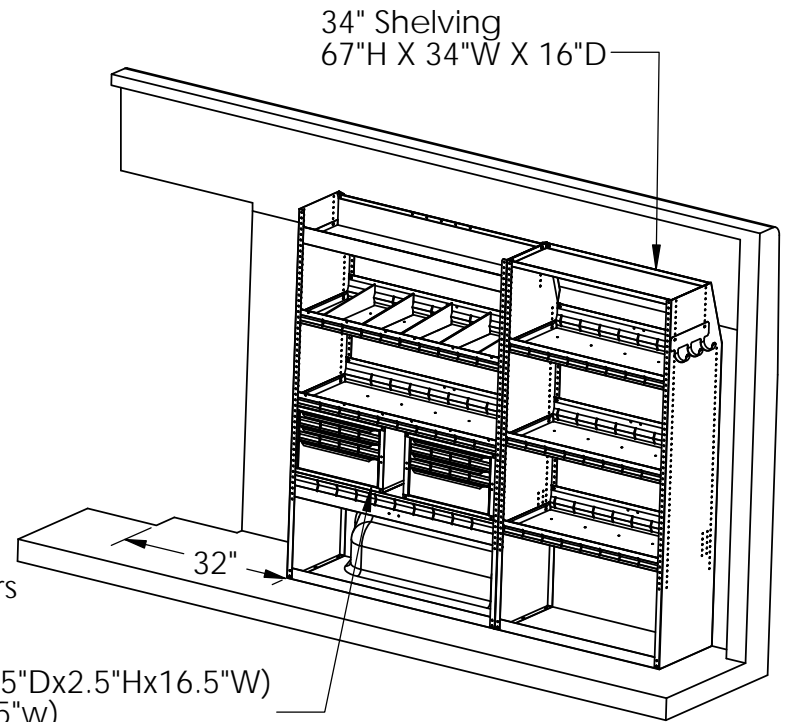
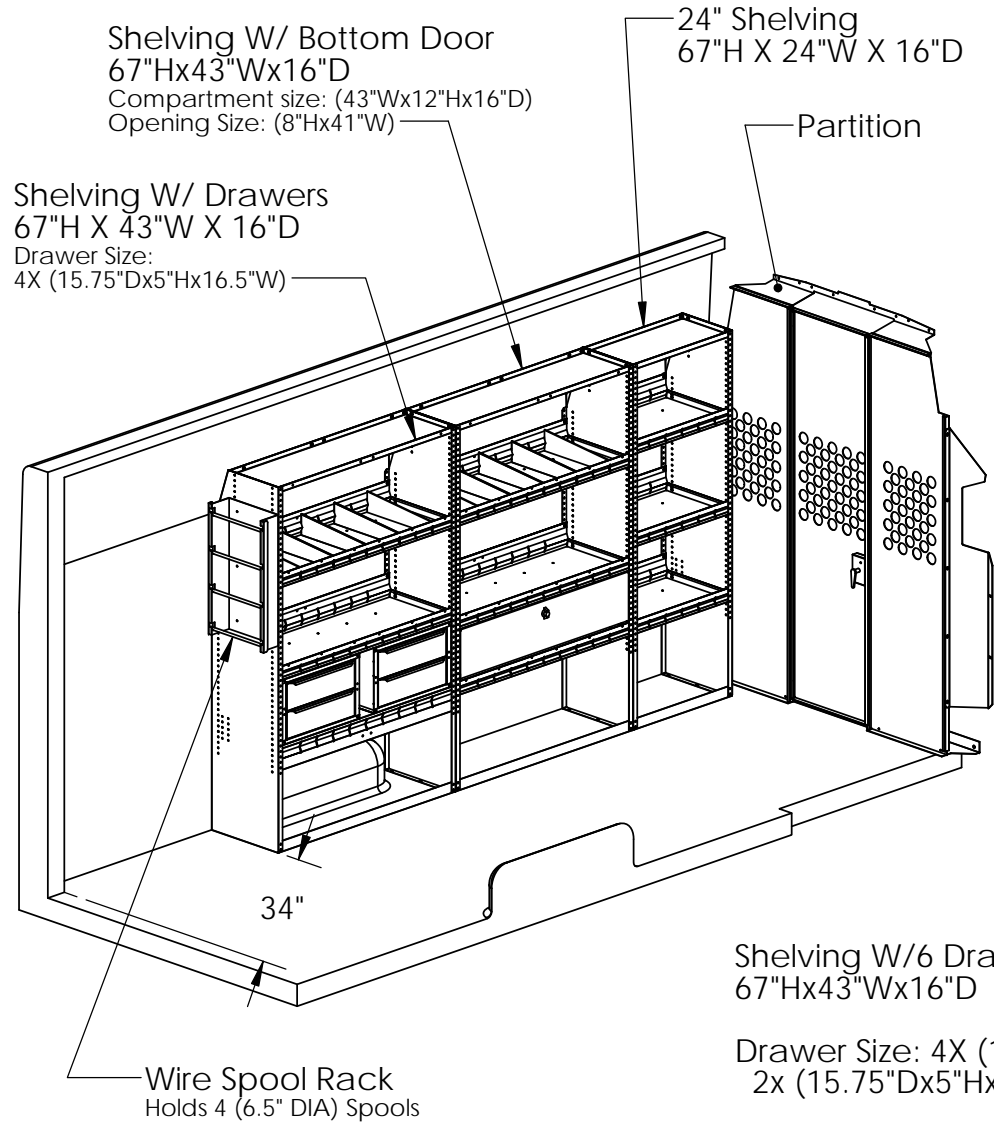
PACKAGE PART NUMBERS:
HVTEC-H-148
INSTALLED - 6.6 HRS

HARBOR TRUCK BODIES

ELECTRICAL CONTRACTOR PACKAGE & PARTITION FOR 148" EXTENDED WHEEL BASE FORD TRANSIT

REV	DWG	DATE	CHANGE DESCRIPTION
1	KB	05/26/15	CREATED PRINT
2	KB	01/27/21	REMOVED SIDE NOTCH.

THE INFORMATION CONTAINED IN THIS DRAWING IS THE SOLE PROPERTY OF HARBOR TRUCK BODIES. ANY REPRODUCTION IN PART OR WHOLE WITHOUT THE WRITTEN PERMISSION OF HARBOR TRUCK BODIES IS PROHIBITED.



UNLESS OTHERWISE SPECIFIED
DIMENSIONS ARE IN INCHES
TOLERANCES ARE:
DECIMALS ANGLES FRACTIONS
X = +/- .1 X = +/- 1° +/- 1/32"
.XX = +/- .03

SIZE	DESCRIPTION	FINISH	DRAWN	DATE
A	Harbor Van Transit Electrical Contractor Package	Epoxy Prime	KB	03/23/16
Interior Weight	678 lbs			

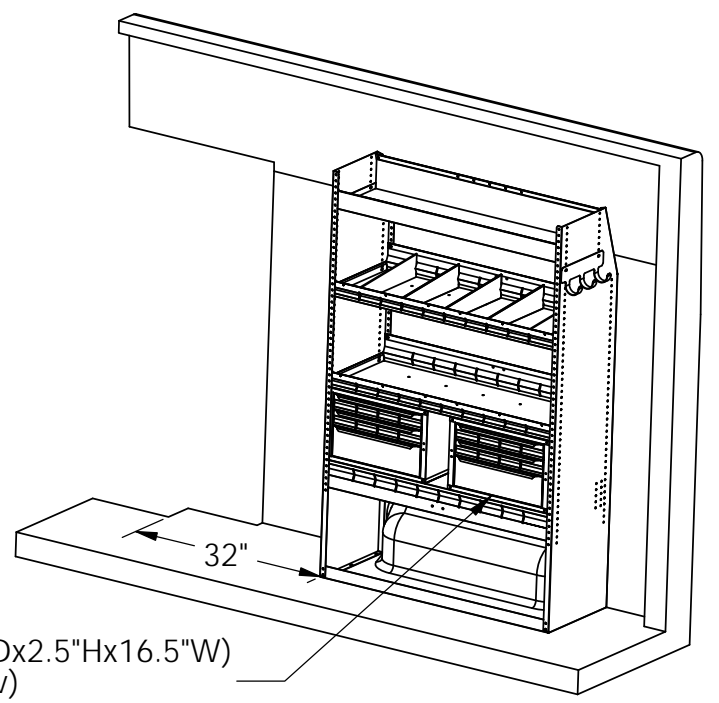
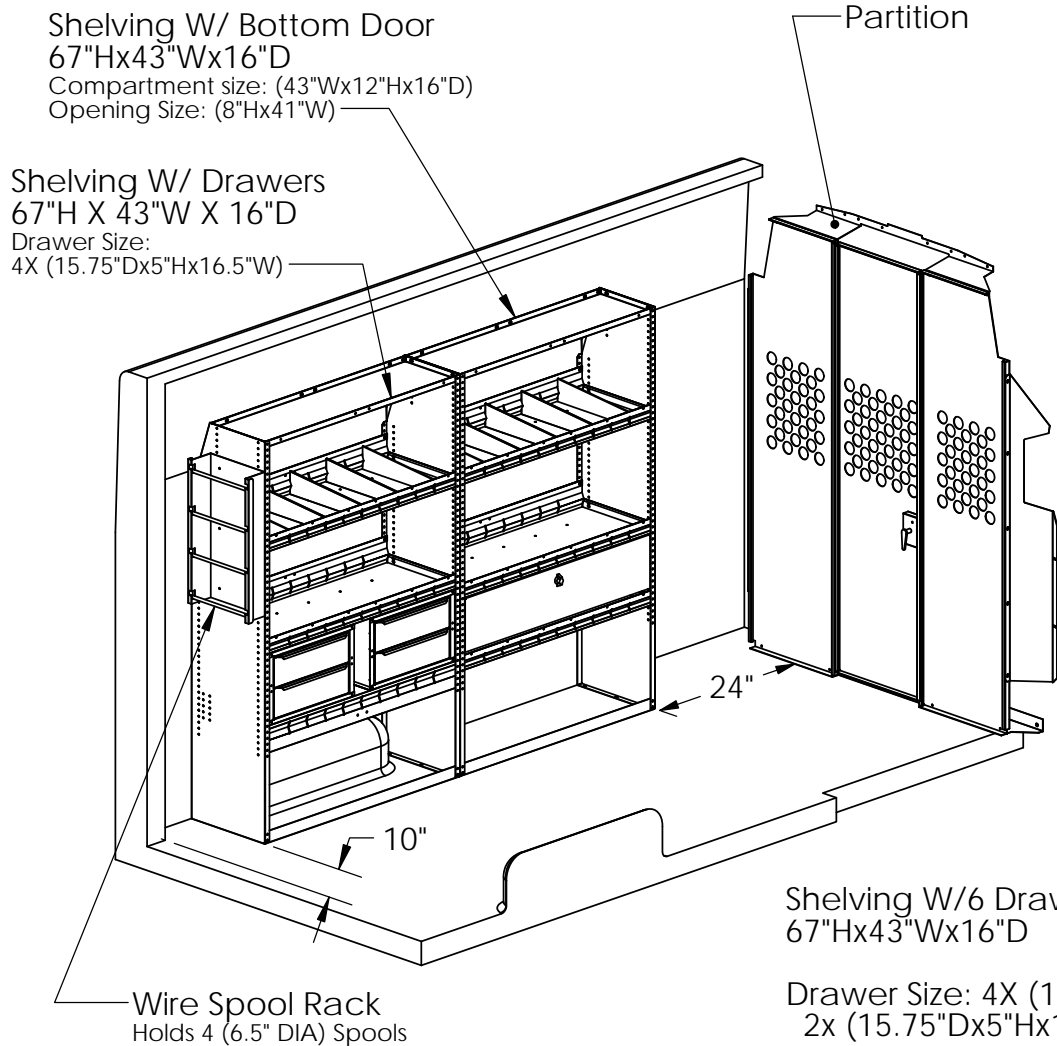
PACKAGE PART NUMBERS:
HVTEC-H-148E
INSTALLED - 7.6 HRS

HARBOR TRUCK BODIES

ELECTRICAL CONTRACTOR PACKAGE & PARTITION FOR 148" WHEEL BASE FORD TRANSIT WITH HIGH ROOF

REV	DWG	DATE	CHANGE DESCRIPTION
1	KB	05/26/15	CREATED PRINT
2	KB	01/27/21	REMOVED SIDE NOTCH.

THE INFORMATION CONTAINED IN THIS DRAWING IS THE SOLE PROPERTY OF HARBOR TRUCK BODIES. ANY REPRODUCTION IN PART OR WHOLE WITHOUT THE WRITTEN PERMISSION OF HARBOR TRUCK BODIES IS PROHIBITED.



UNLESS OTHERWISE SPECIFIED
DIMENSIONS ARE IN INCHES
TOLERANCES ARE:
DECIMALS ANGLES FRACTIONS
X = +/- .1 X = +/- 1° +/- 1/32"
XX = +/- .03

SIZE	DESCRIPTION
A	Harbor Van Transit Electrical Contractor Package
Interior Weight	539 lbs
FINISH	Epoxy Prime
DRAWN	KB
DATE	03/23/16

PACKAGE PART NUMBERS:
HVTEC-H
INSTALLED - 5.75 HRS

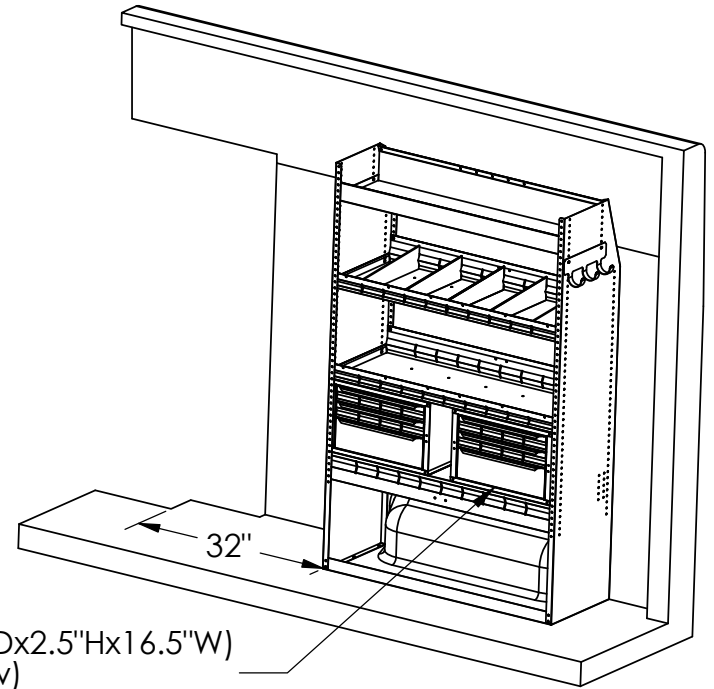
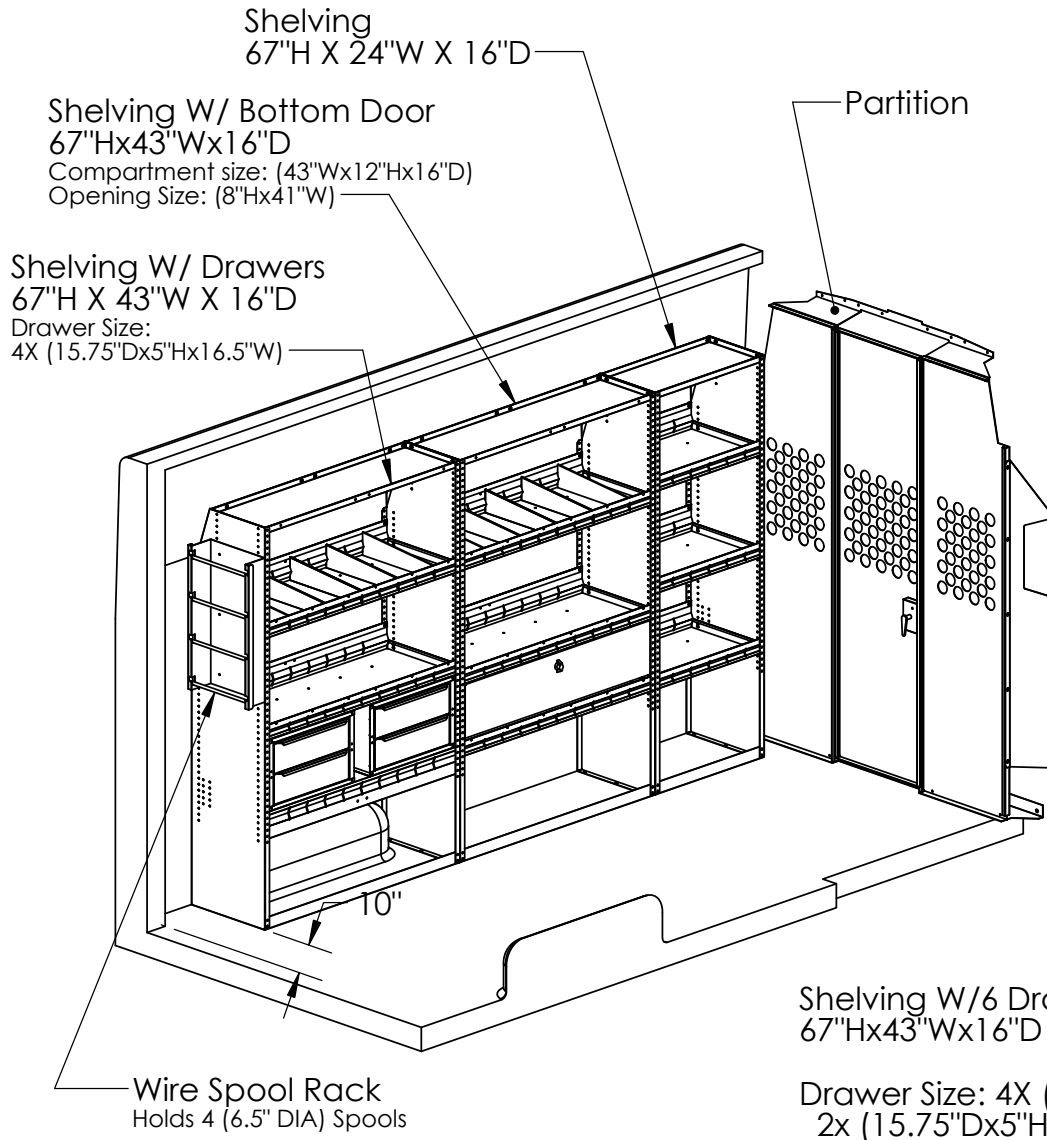
8 7 6 5 4 3 2 1

HARBOR TRUCK BODIES

ELECTRICAL CONTRACTOR PACKAGE & PARTITION FOR 148" WHEEL BASE FORD TRANSIT WITH HIGH ROOF

REV	DWG	DATE	CHANGE DESCRIPTION
1	KB	05/26/15	CREATED PRINT
2	KB	01/27/21	REMOVED SIDE NOTCH.

THE INFORMATION CONTAINED IN THIS DRAWING IS THE SOLE PROPERTY OF HARBOR TRUCK BODIES. ANY REPRODUCTION IN PART OR WHOLE WITHOUT THE WRITTEN PERMISSION OF HARBOR TRUCK BODIES IS PROHIBITED.



UNLESS OTHERWISE SPECIFIED
DIMENSIONS ARE IN INCHES
TOLERANCES ARE:
DECIMALS ANGLES FRACTIONS
.X = +/- .1 X = +/- 1° +/- 1/32"
.XX = +/- .03

SIZE	DESCRIPTION
A	Harbor Van Transit Electrical Contractor Package
Interior Weight	539 lbs
FINISH	Epoxy Prime
DRAWN	KB
DATE	03/23/16

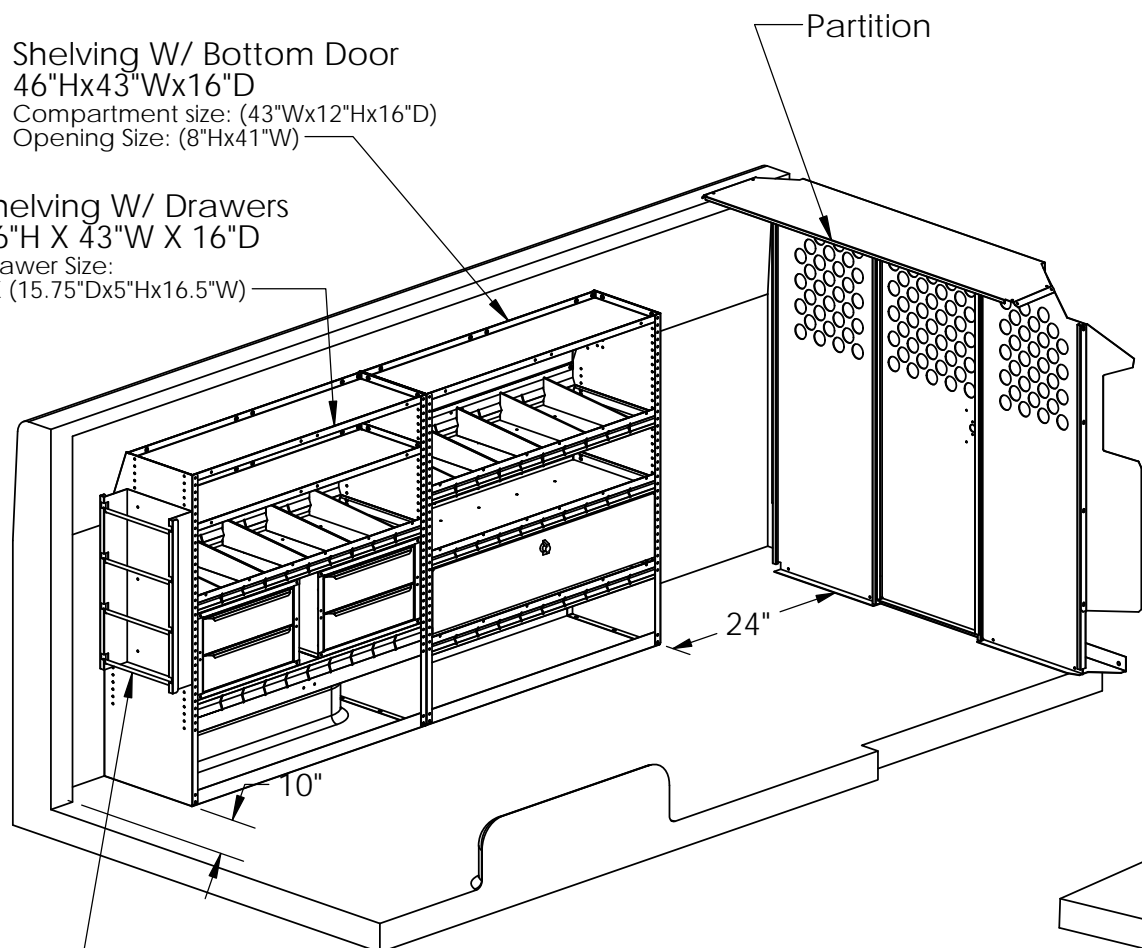
PACKAGE PART NUMBERS:
HVTEC-H-148
INSTALLED - 6.5 HRS

HARBOR TRUCK BODIES

ELECTRICAL CONTRACTOR PACKAGE & PARTITION FOR 148" WHEEL BASE FORD TRANSIT WITH LOW ROOF

REV	DWG	DATE	CHANGE DESCRIPTION
1	KB	05/26/15	CREATED PRINT
2	KB	01/27/21	REMOVED SIDE NOTCH.

THE INFORMATION CONTAINED IN THIS DRAWING IS THE SOLE PROPERTY OF HARBOR TRUCK BODIES. ANY REPRODUCTION IN PART OR WHOLE WITHOUT THE WRITTEN PERMISSION OF HARBOR TRUCK BODIES IS PROHIBITED.

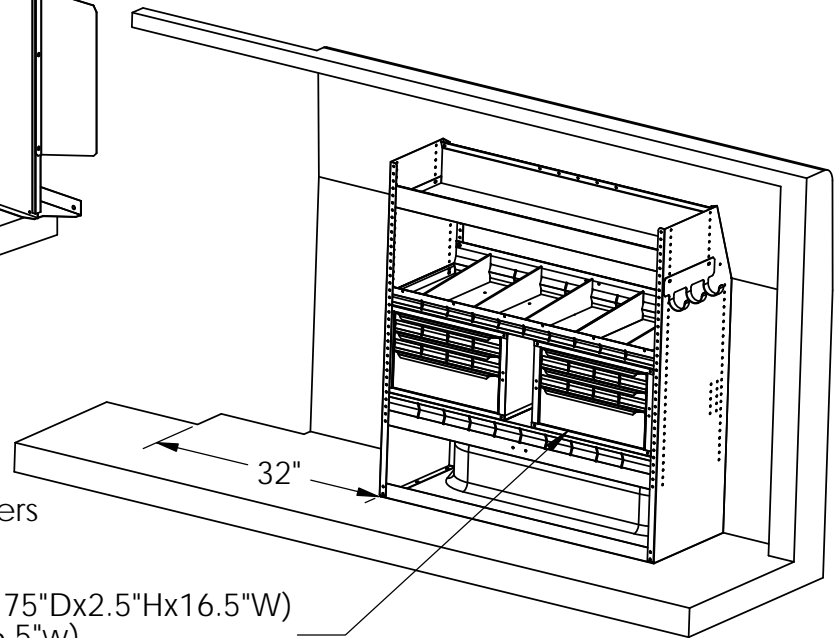


Shelving W/ Bottom Door
46"Hx43"Wx16"D
Compartment size: (43"Wx12"Hx16"D)
Opening Size: (8"Hx41"W)

Shelving W/ Drawers
46"H X 43"W X 16"D
Drawer Size:
4X (15.75"Dx5"Hx16.5"W)

Partition

Wire Spool Rack
Holds 4 (6.5" DIA) Spools



Shelving W/6 Drawers
46"Hx43"Wx16"D

Drawer Size: 4X (15.75"Dx2.5"Hx16.5"W)
2x (15.75"Dx5"Hx16.5"w)



UNLESS OTHERWISE SPECIFIED
DIMENSIONS ARE IN INCHES
TOLERANCES ARE:
DECIMALS ANGLES FRACTIONS
X = +/- .1 X = +/- 1° +/- 1/32"
.XX = +/- .03

SIZE	DESCRIPTION	FINISH	DRAWN	DATE
A	Harbor Van Transit Electrical Contractor Package	Epoxy Prime	KB	03/23/16
Interior Weight	493 lbs			

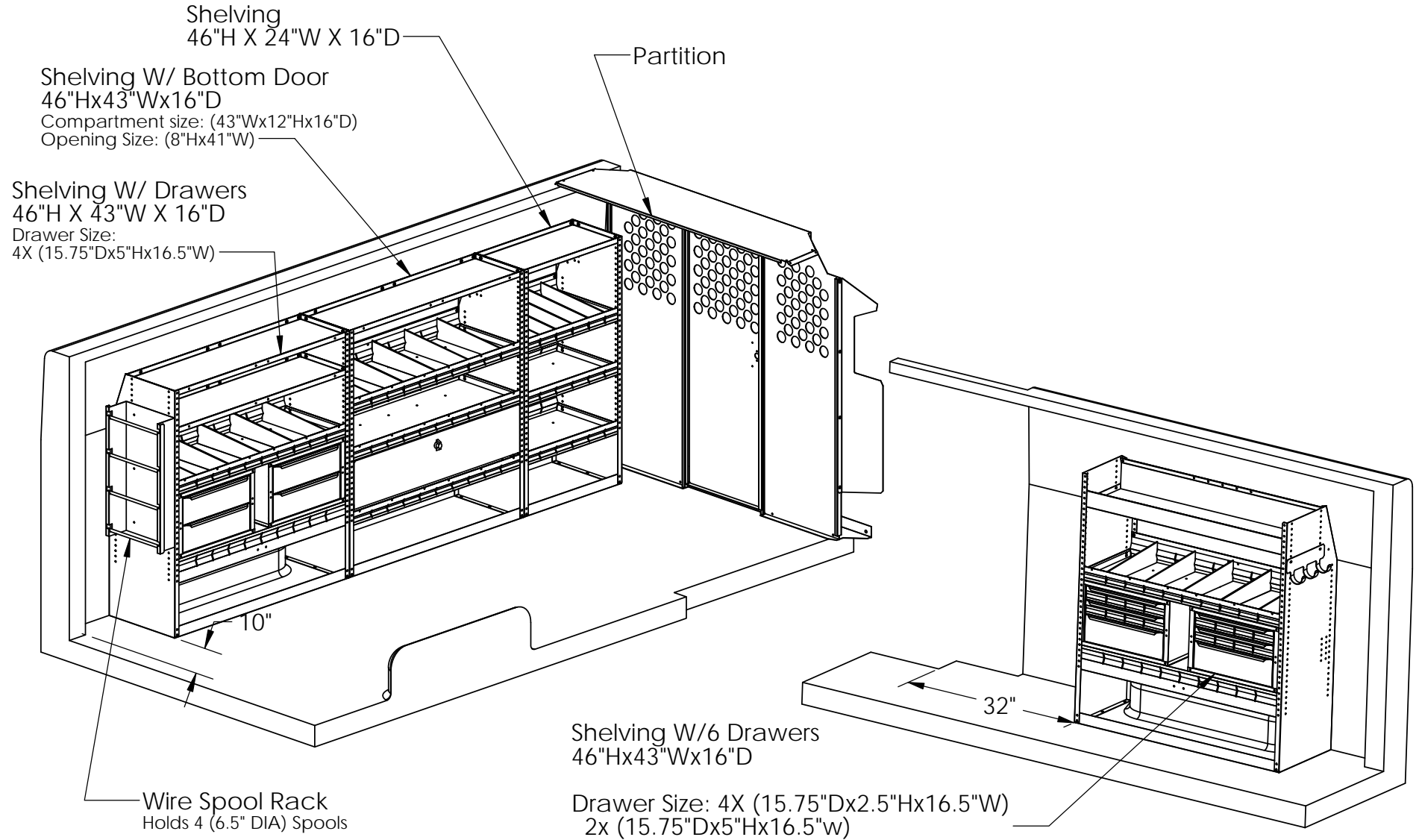
PACKAGE PART NUMBERS:
HVTEC-L
INSTALLED - 5.75 HRS

HARBOR TRUCK BODIES

ELECTRICAL CONTRACTOR PACKAGE & PARTITION FOR 148" WHEEL BASE FORD TRANSIT WITH LOW ROOF

REV	DWG	DATE	CHANGE DESCRIPTION
1	KB	05/26/15	CREATED PRINT
2	KB	01/27/21	REMOVED SIDE NOTCH.

THE INFORMATION CONTAINED IN THIS DRAWING IS THE SOLE PROPERTY OF HARBOR TRUCK BODIES. ANY REPRODUCTION IN PART OR WHOLE WITHOUT THE WRITTEN PERMISSION OF HARBOR TRUCK BODIES IS PROHIBITED.



D
C
B
A

D
C
B
A



UNLESS OTHERWISE SPECIFIED
DIMENSIONS ARE IN INCHES
TOLERANCES ARE:
DECIMALS ANGLES FRACTIONS
X = +/- .1 X = +/- 1° +/- 1/32"
.XX = +/- .03

SIZE	DESCRIPTION	FINISH	DRAWN	DATE
A	Harbor Van Transit Electrical Contractor Package	Epoxy Prime	KB	03/23/16
Interior Weight	493 lbs			

PACKAGE PART NUMBERS:
HVTEC-L-148
INSTALLED - 6.5 HRS

8 7 6 5 4 3 2 1