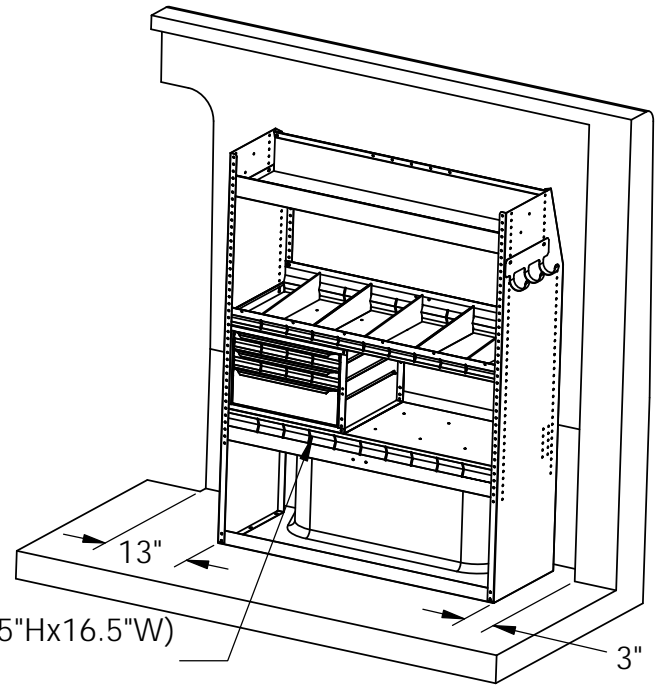
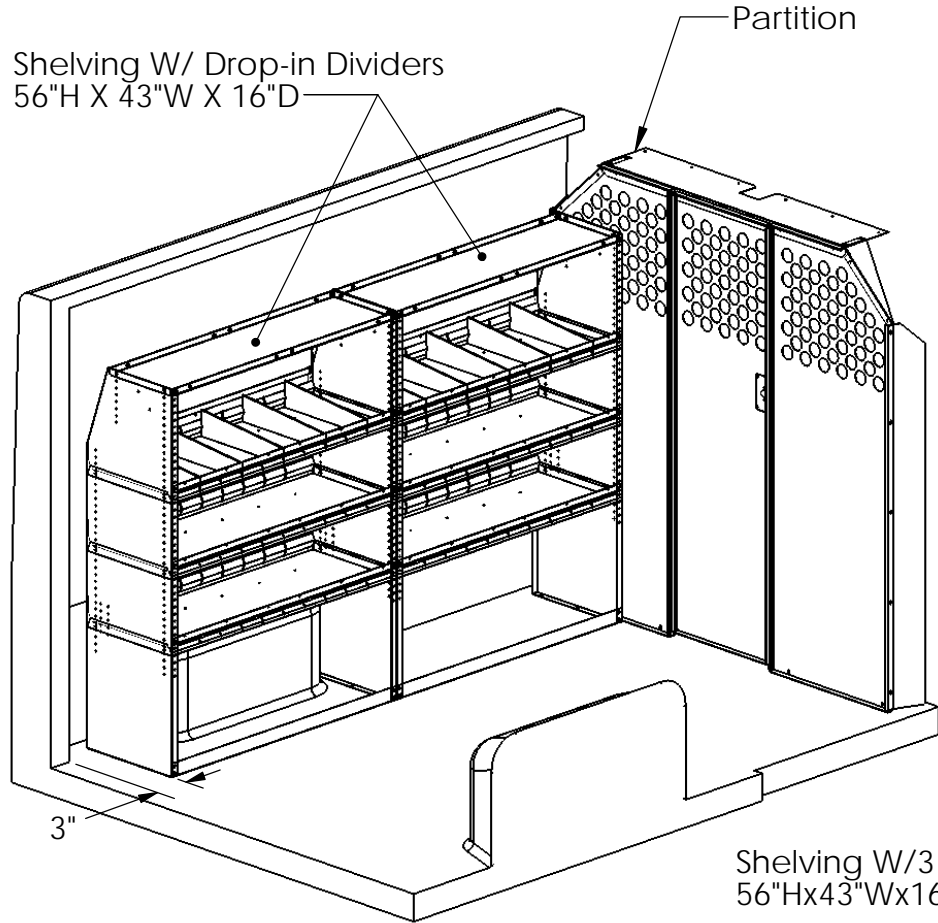


THE INFORMATION CONTAINED IN THIS DRAWING IS THE SOLE PROPERTY OF HARBOR TRUCK BODIES. ANY REPRODUCTION IN PART OR WHOLE WITHOUT THE WRITTEN PERMISSION OF HARBOR TRUCK BODIES IS PROHIBITED.

# HARBOR TRUCK BODIES

PLUS PACKAGE & PARTITION FOR 118" WHEEL BASE  
RAM PROMASTERS WITH MEDIUM ROOF

REV	DWG	DATE	CHANGE DESCRIPTION
1	KB	03/22/16	CREATED PRINT



Shelving W/3 Drawers  
56"Hx43"Wx16"D

Drawer Size: 2X (15.75"Dx2.5"Hx16.5"W)  
1x (15.75"Dx5"Hx16.5"W)

UNLESS OTHERWISE SPECIFIED  
DIMENSIONS ARE IN INCHES  
TOLERANCES ARE:  
DECIMALS ANGLES FRACTIONS  
X = +/- .1 X = +/- 1° +/- 1/32"  
.XX = +/- .03

SIZE	DESCRIPTION	FINISH	DRAWN	DATE
A	Harbor Van Ram Promaster Plus Package	Epoxy Prime	JH	04/04/16
Interior Weight	389 lbs			

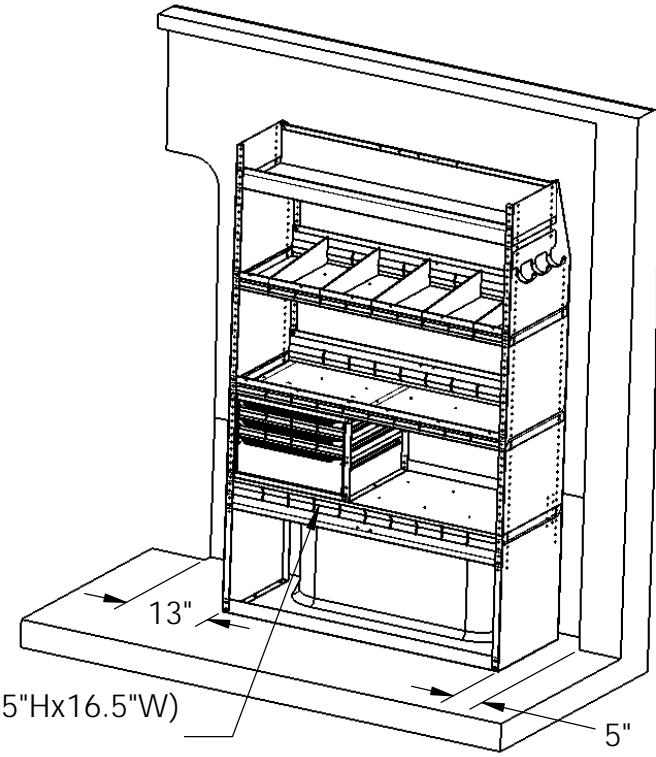
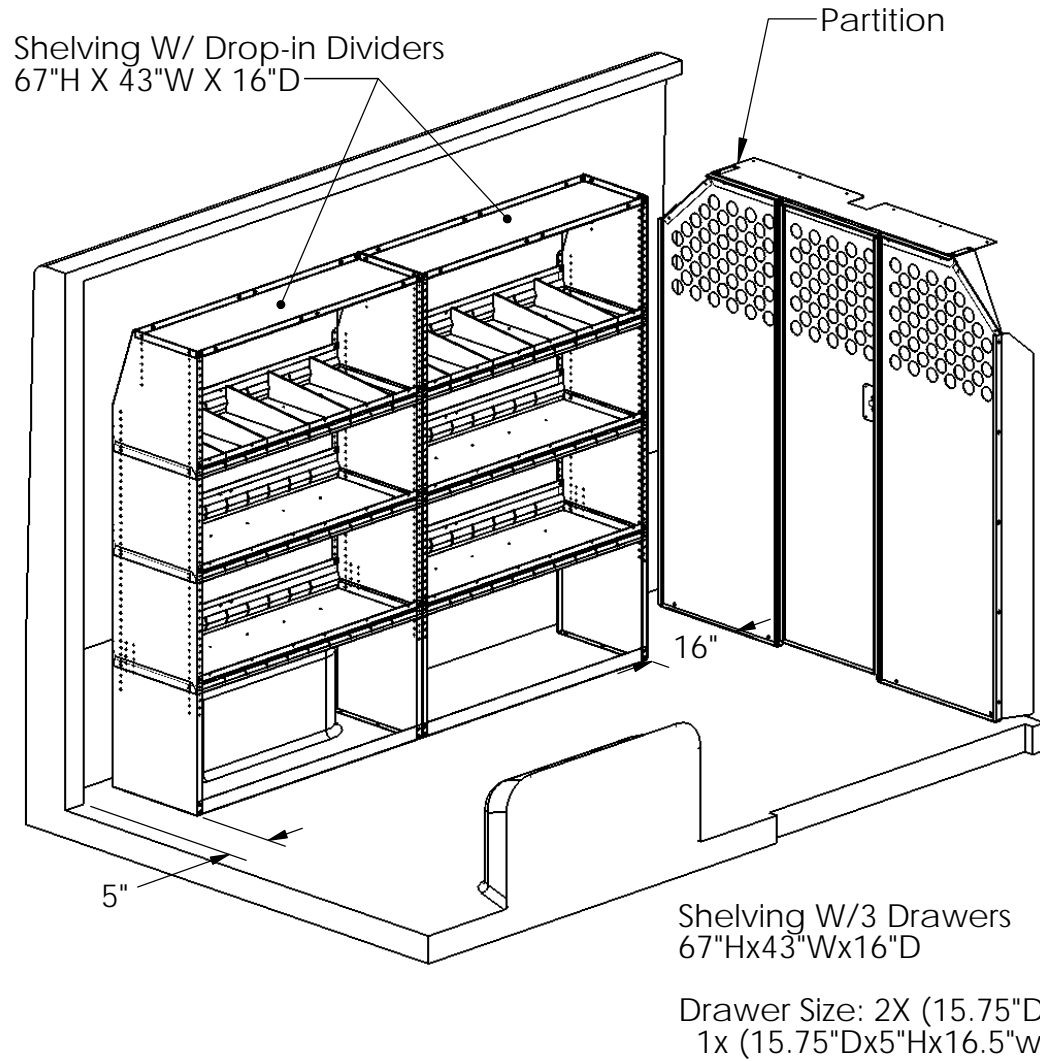
**PACKAGE PART NUMBERS:**  
**HVRSD-M-ND**  
**INSTALLED - 4.3 HRS**

8 7 6 5 4 3 2 1

# HARBOR TRUCK BODIES

## PLUS PACKAGE & PARTITION FOR 136" WHEEL BASE RAM PROMASTER WITH HIGH ROOF

REV	DWG	DATE	CHANGE DESCRIPTION
1	KB	03/22/16	CREATED PRINT



THE INFORMATION CONTAINED IN THIS DRAWING IS THE SOLE PROPERTY OF HARBOR TRUCK BODIES. ANY REPRODUCTION IN PART OR WHOLE WITHOUT THE WRITTEN PERMISSION OF HARBOR TRUCK BODIES IS PROHIBITED.

UNLESS OTHERWISE SPECIFIED  
DIMENSIONS ARE IN INCHES  
TOLERANCES ARE:  
DECIMALS ANGLES FRACTIONS  
X = +/- .1 X = +/- 1° +/- 1/32"  
.XX = +/- .03

SIZE	DESCRIPTION	FINISH	DRAWN	DATE
A	Harbor Van Ram Promaster Raised Plus Package	Epoxy Prime	JH	04/04/16
Installed Weight	410 lbs			

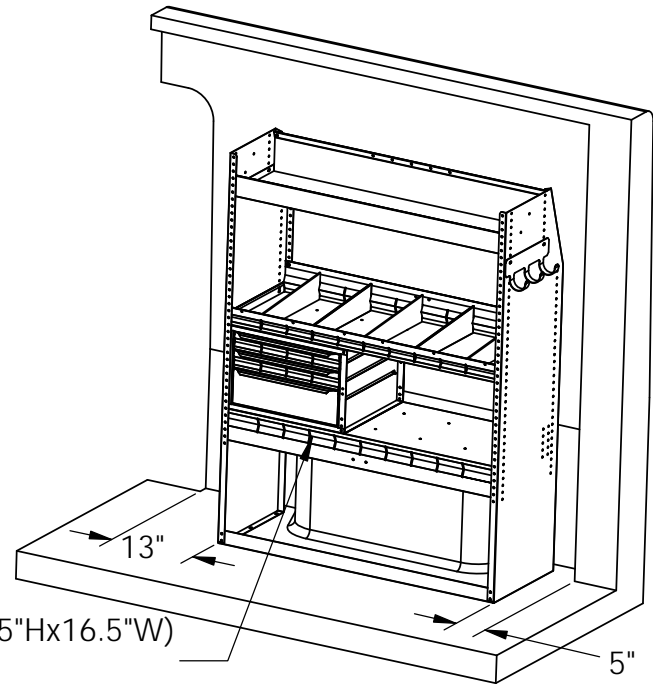
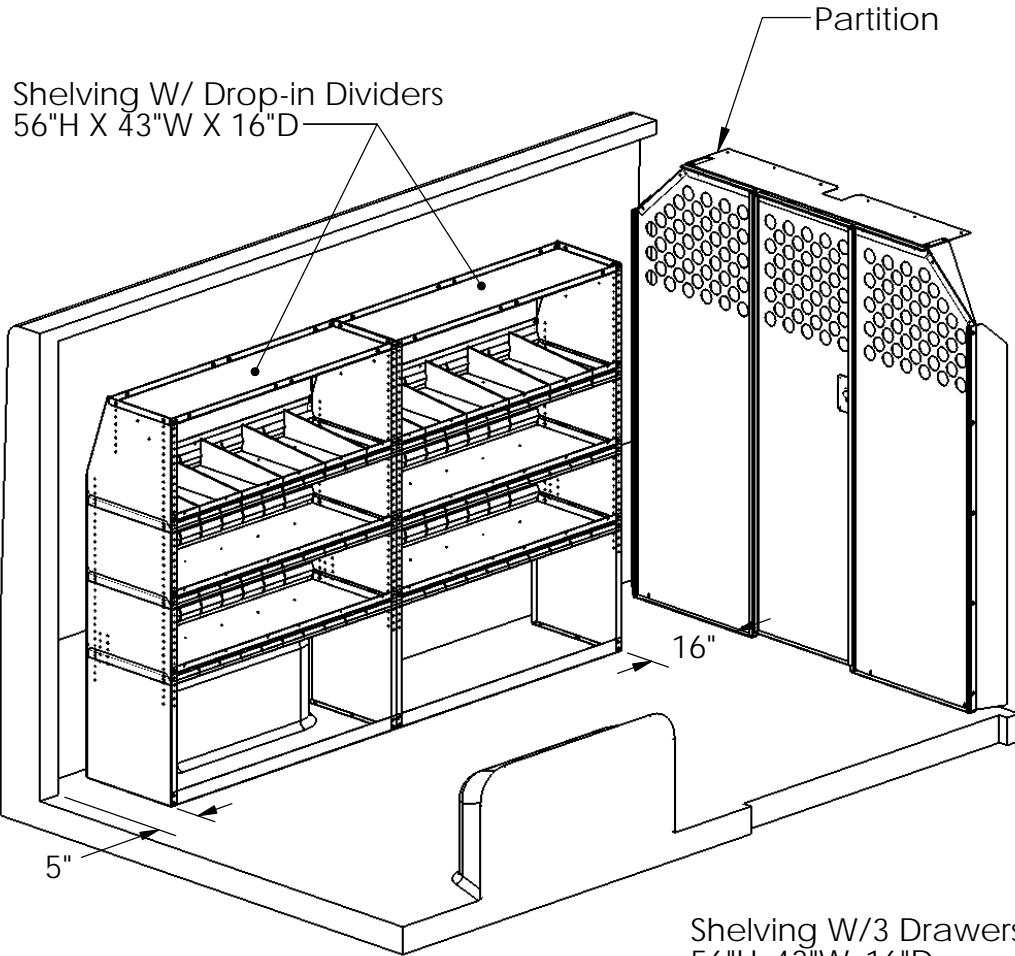
**PACKAGE PART NUMBERS:**  
**HVRS-D-H-ND**  
**INSTALLED - 4.3 HRS**

THE INFORMATION CONTAINED IN THIS DRAWING IS THE SOLE PROPERTY OF HARBOR TRUCK BODIES. ANY REPRODUCTION IN PART OR WHOLE WITHOUT THE WRITTEN PERMISSION OF HARBOR TRUCK BODIES IS PROHIBITED.

# HARBOR TRUCK BODIES

PLUS PACKAGE & PARTITION FOR 136" WHEEL BASE  
RAM PROMASTERS WITH MEDIUM ROOF

REV	DWG	DATE	CHANGE DESCRIPTION
1	KB	03/22/16	CREATED PRINT



Shelving W/3 Drawers  
56"Hx43"Wx16"D

Drawer Size: 2X (15.75"Dx2.5"Hx16.5"W)  
1x (15.75"Dx5"Hx16.5"W)

UNLESS OTHERWISE SPECIFIED  
DIMENSIONS ARE IN INCHES  
TOLERANCES ARE:  
DECIMALS ANGLES FRACTIONS  
X = +/- .1 X = +/- 1° +/- 1/32"  
.XX = +/- .03

SIZE	DESCRIPTION	FINISH	DRAWN	DATE
A	Harbor Van Ram Promaster Plus Package	Epoxy Prime	JH	04/04/16
Interior Weight	389 lbs			

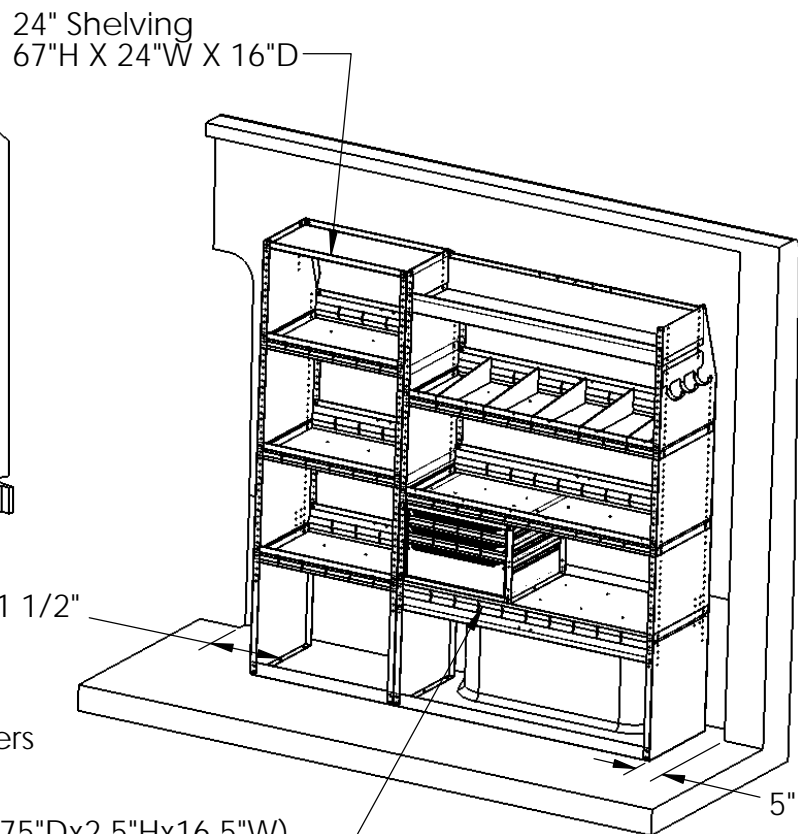
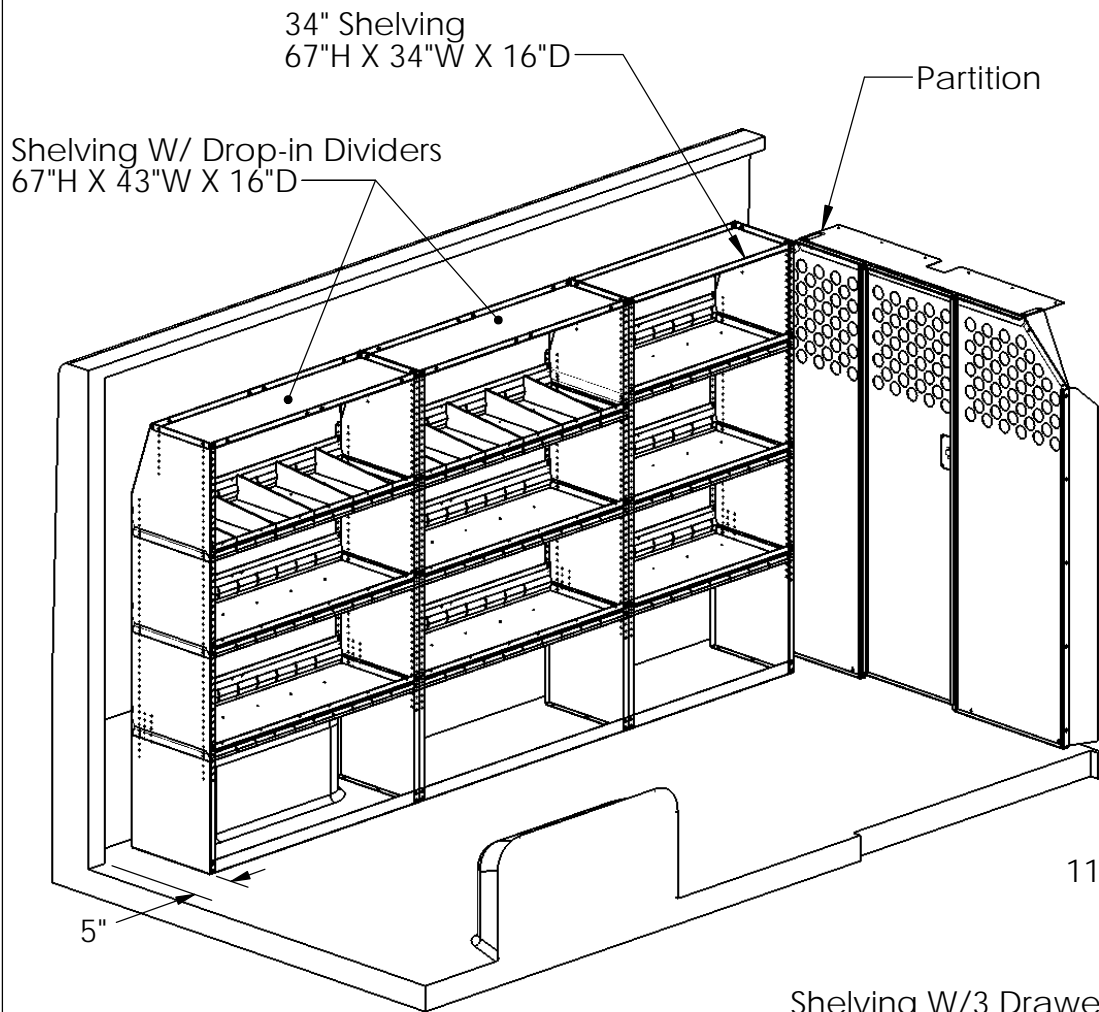
**PACKAGE PART NUMBERS:**  
**HVRSD-M-ND**  
**INSTALLED - 4.3 HRS**

# HARBOR TRUCK BODIES

## PLUS PACKAGE FOR 159" WHEEL BASE RAM PROMASTER WITH HIGH ROOF

REV	DWG	DATE	CHANGE DESCRIPTION
1	KB	03/22/16	CREATED PRINT

THE INFORMATION CONTAINED IN THIS DRAWING IS THE SOLE PROPERTY OF HARBOR TRUCK BODIES. ANY REPRODUCTION IN PART OR WHOLE WITHOUT THE WRITTEN PERMISSION OF HARBOR TRUCK BODIES IS PROHIBITED.



Shelving W/3 Drawers  
67"Hx43"Wx16"D

Drawer Size: 2X (15.75"Dx2.5"Hx16.5"W)  
1x (15.75"Dx5"Hx16.5"w)

UNLESS OTHERWISE SPECIFIED  
DIMENSIONS ARE IN INCHES  
TOLERANCES ARE:  
DECIMALS ANGLES FRACTIONS  
X = +/- .1 X = +/- 1° +/- 1/32"  
.XX = +/- .03

SIZE	DESCRIPTION
A	Harbor Van Ram Promaster 159" WB Plus Package
Installed Weight	552 lbs
FINISH	Epoxy Prime
DRAWN	JH
DATE	04/04/16

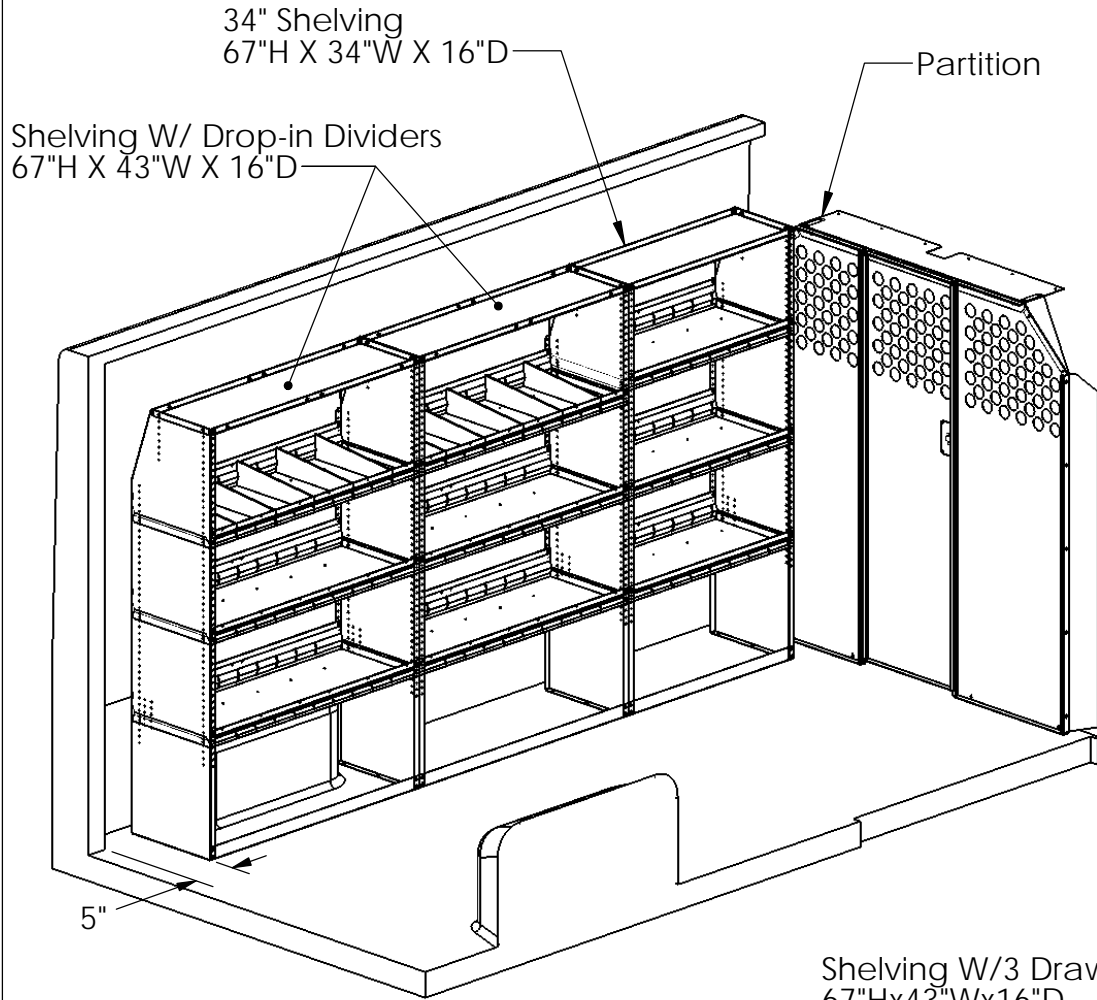
PACKAGE PART NUMBERS:  
**HVRS-159WB-ND**  
**INSTALLED - 6 HRS**

# HARBOR TRUCK BODIES

## PLUS PACKAGE FOR 159" WHEEL BASE RAM PROMASTER WITH HIGH ROOF

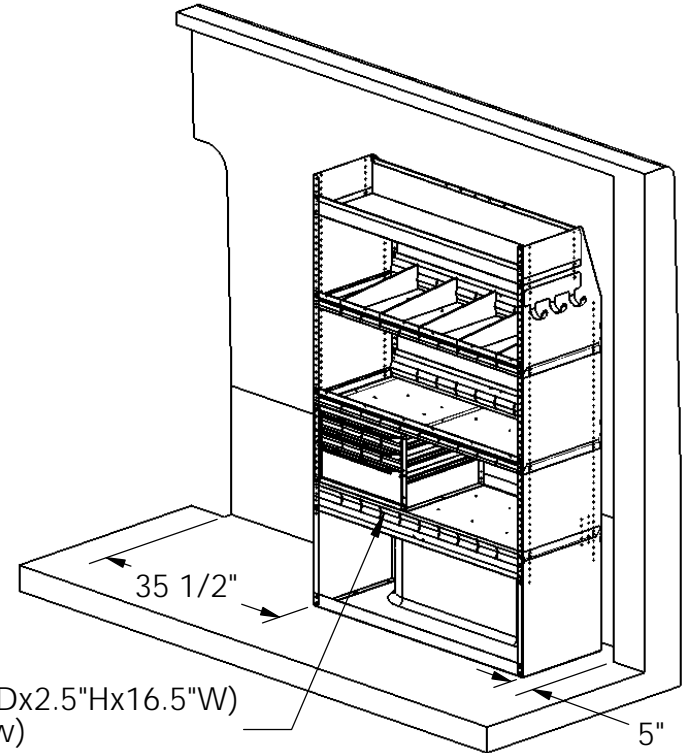
REV	DWG	DATE	CHANGE DESCRIPTION
1	KB	03/22/16	CREATED PRINT

THE INFORMATION CONTAINED IN THIS DRAWING IS THE SOLE PROPERTY OF HARBOR TRUCK BODIES. ANY REPRODUCTION IN PART OR WHOLE WITHOUT THE WRITTEN PERMISSION OF HARBOR TRUCK BODIES IS PROHIBITED.



Shelving W/3 Drawers  
67"Hx43"Wx16"D

Drawer Size: 2X (15.75"Dx2.5"Hx16.5"W)  
1x (15.75"Dx5"Hx16.5"W)



UNLESS OTHERWISE SPECIFIED  
DIMENSIONS ARE IN INCHES  
TOLERANCES ARE:  
DECIMALS ANGLES FRACTIONS  
X = +/- .1 X = +/- 1° +/- 1/32"  
.XX = +/- .03

SIZE	DESCRIPTION	FINISH	DRAWN	DATE
A	Harbor Van Ram Promaster 159" WB Plus Package	Epoxy Prime	JH	04/04/16
Installed Weight	552 lbs			

**PACKAGE PART NUMBERS:**  
**HVRSD-ECO-ND**  
**INSTALLED - 5.2 HRS**

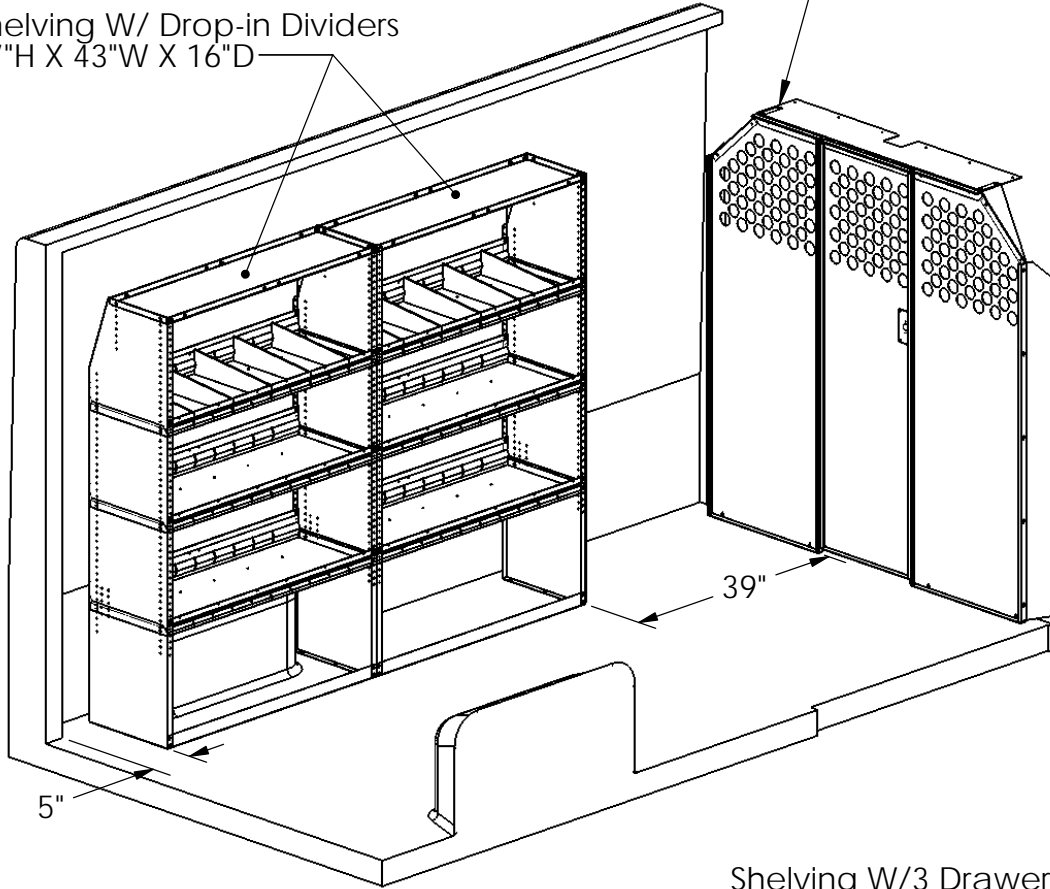
# HARBOR TRUCK BODIES

## PLUS PACKAGE FOR 159" WHEEL BASE RAM PROMASTER WITH HIGH ROOF

REV	DWG	DATE	CHANGE DESCRIPTION
1	KB	03/22/16	CREATED PRINT

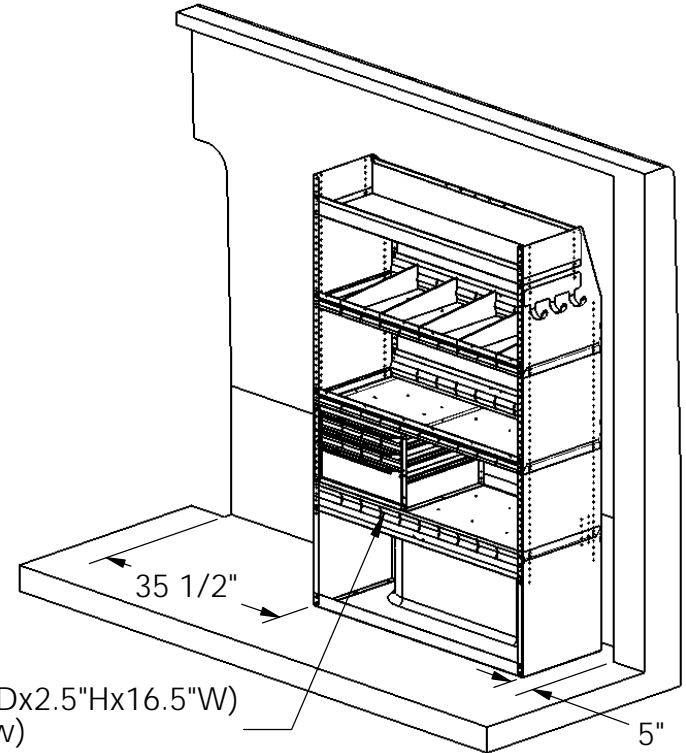
Shelving W/ Drop-in Dividers  
67"H X 43"W X 16"D

Partition



Shelving W/3 Drawers  
67"Hx43"Wx16"D

Drawer Size: 2X (15.75"Dx2.5"Hx16.5"W)  
1x (15.75"Dx5"Hx16.5"W)



UNLESS OTHERWISE SPECIFIED  
DIMENSIONS ARE IN INCHES  
TOLERANCES ARE:  
DECIMALS ANGLES FRACTIONS  
X = +/- .1 X = +/- 1° +/- 1/32"  
.XX = +/- .03

SIZE	DESCRIPTION	FINISH	DRAWN	DATE
A	Harbor Van Ram Promaster 159" WB Plus Package	Epoxy Prime	JH	04/04/16
Installed Weight	552 lbs			

PACKAGE PART NUMBERS:  
**HVRSD-H-ND**  
**INSTALLED - 4.3 HRS**

THE INFORMATION CONTAINED IN THIS DRAWING IS THE SOLE PROPERTY OF HARBOR TRUCK BODIES. ANY REPRODUCTION IN PART OR WHOLE WITHOUT THE WRITTEN PERMISSION OF HARBOR TRUCK BODIES IS PROHIBITED.

D

C

B

A

D

C

B

A

8 7 6 5 4 3 2 1