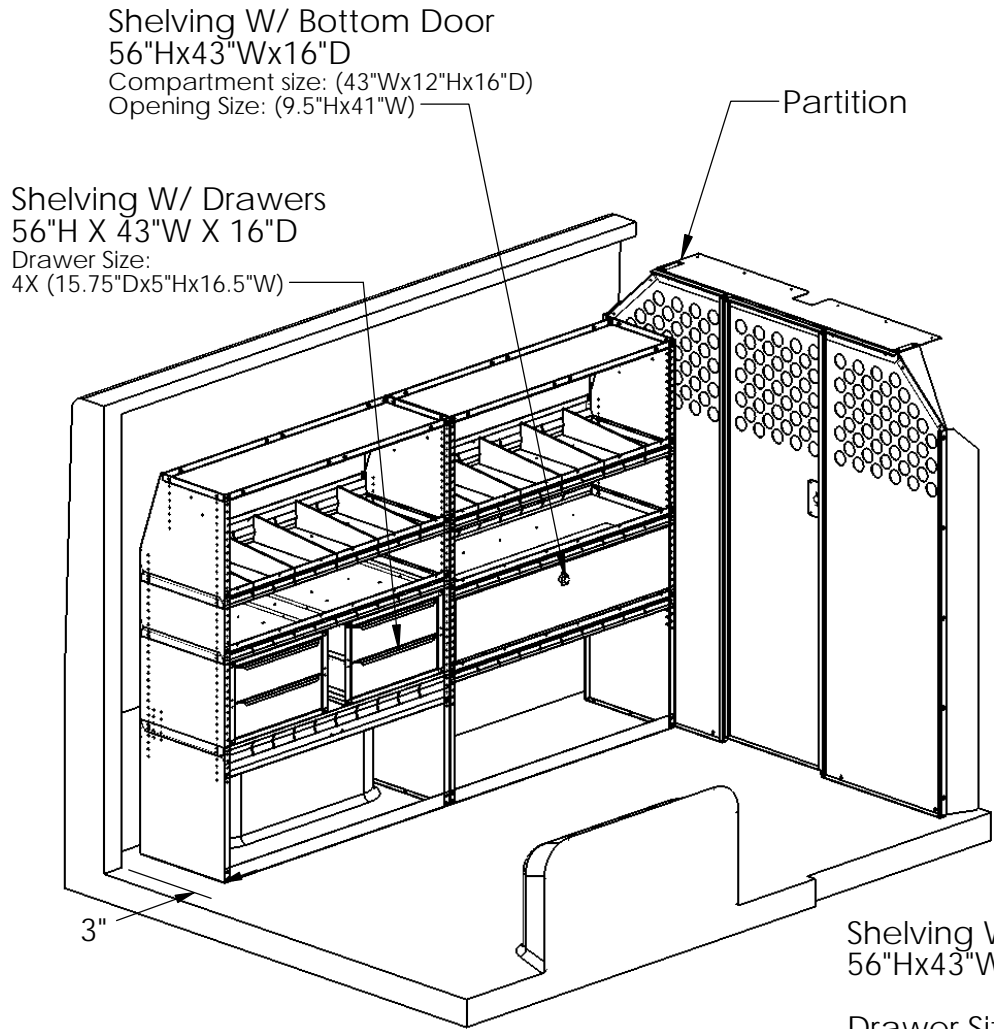


HARBOR TRUCK BODIES

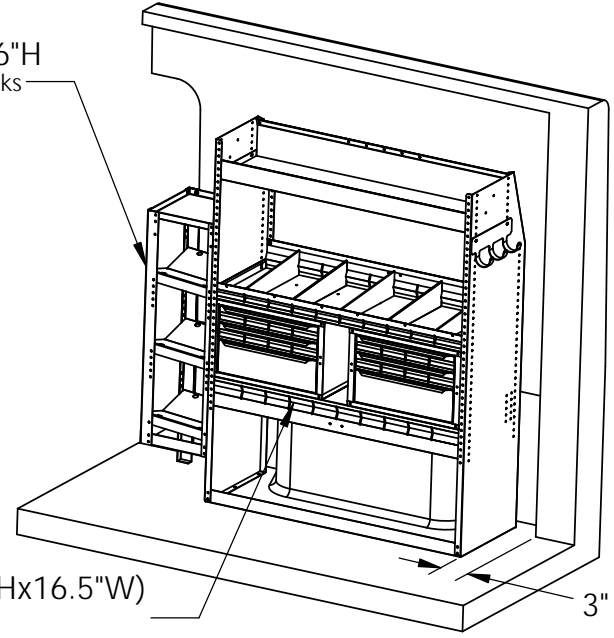
PHVAC PACKAGE & PARTITION FOR 118" WHEEL BASE RAM PROMASTERS WITH MEDIUM ROOF

REV	DWG	DATE	CHANGE DESCRIPTION
1	KB	10/21/13	CREATED PRINT

THE INFORMATION CONTAINED IN THIS DRAWING IS THE SOLE PROPERTY OF HARBOR TRUCK BODIES. ANY REPRODUCTION IN PART OR WHOLE WITHOUT THE WRITTEN PERMISSION OF HARBOR TRUCK BODIES IS PROHIBITED.



Tank Holder
12"Wx12"Dx36"H
Holds 3 (30lb) Tanks



UNLESS OTHERWISE SPECIFIED
DIMENSIONS ARE IN INCHES
TOLERANCES ARE:
DECIMALS ANGLES FRACTIONS
X = +/- .1 X = +/- 1° +/- 1/32"
.XX = +/- .03

SIZE	DESCRIPTION
A	Harbor Van Ram Promaster PHVAC Package
Installed Weight	510 lbs
FINISH	Epoxy Prime
DRAWN	KB
DATE	10/21/13

PACKAGE PART NUMBERS:
HVRPHVAC-M-ND
INSTALLED - 6 HRS

SCALE: 1:48

8 7 6 5 4 3 2 1

THE INFORMATION CONTAINED IN THIS DRAWING IS THE SOLE PROPERTY OF HARBOR TRUCK BODIES. ANY REPRODUCTION IN PART OR WHOLE WITHOUT THE WRITTEN PERMISSION OF HARBOR TRUCK BODIES IS PROHIBITED.

HARBOR TRUCK BODIES

PHVAC PACKAGE & PARTITION FOR 136" WHEEL BASE RAM PROMASTERS WITH HIGH ROOF

REV	DWG	DATE	CHANGE DESCRIPTION
1	KB	10/21/13	CREATED PRINT

Shelving W/ Bottom Door
67"Hx43"Wx16"D
Compartment size: (43"Wx12"Hx16"D)
Opening Size: (9.5"Hx41"W)

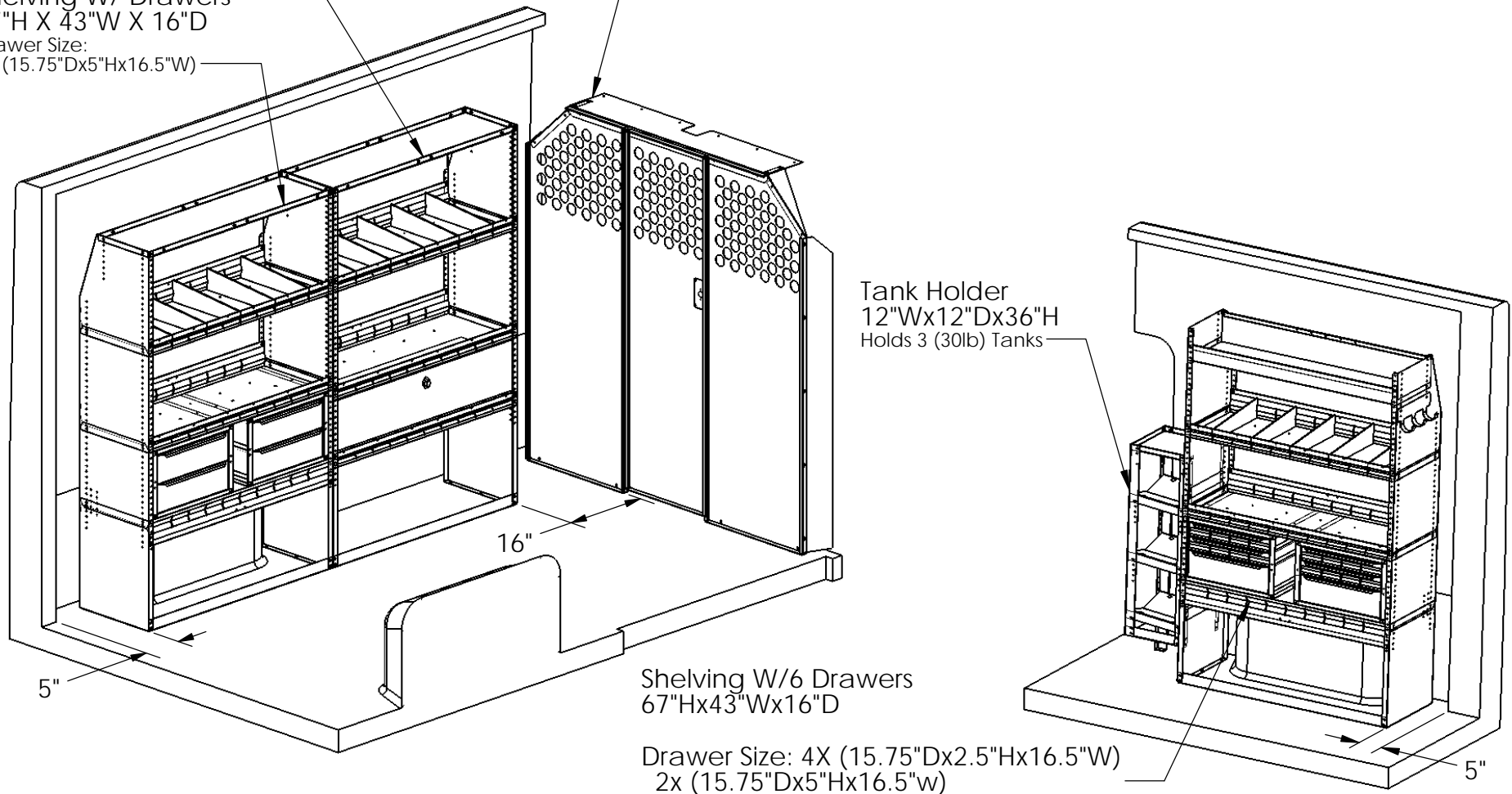
Shelving W/ Drawers
67"H X 43"W X 16"D
Drawer Size:
4X (15.75"Dx5"Hx16.5"W)

Partition

Tank Holder
12"Wx12"Dx36"H
Holds 3 (30lb) Tanks

Shelving W/6 Drawers
67"Hx43"Wx16"D

Drawer Size: 4X (15.75"Dx2.5"Hx16.5"W)
2x (15.75"Dx5"Hx16.5"W)



UNLESS OTHERWISE SPECIFIED
DIMENSIONS ARE IN INCHES
TOLERANCES ARE:
DECIMALS ANGLES FRACTIONS
X = +/- .1 X = +/- 1° +/- 1/32"
.XX = +/- .03

SIZE	DESCRIPTION	FINISH	DRAWN	DATE
A	Harbor Van Ram Promaster PHVAC Package	Epoxy Prime	KB	10/21/13
Installed Weight	528 lbs			

PACKAGE PART NUMBERS:
HVRPHVAC-H-ND
INSTALLED - 6 HRS

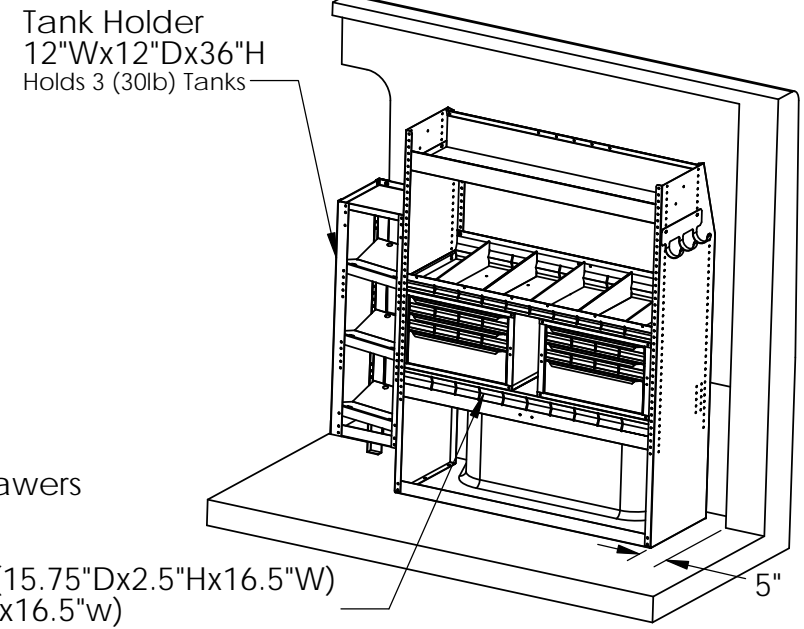
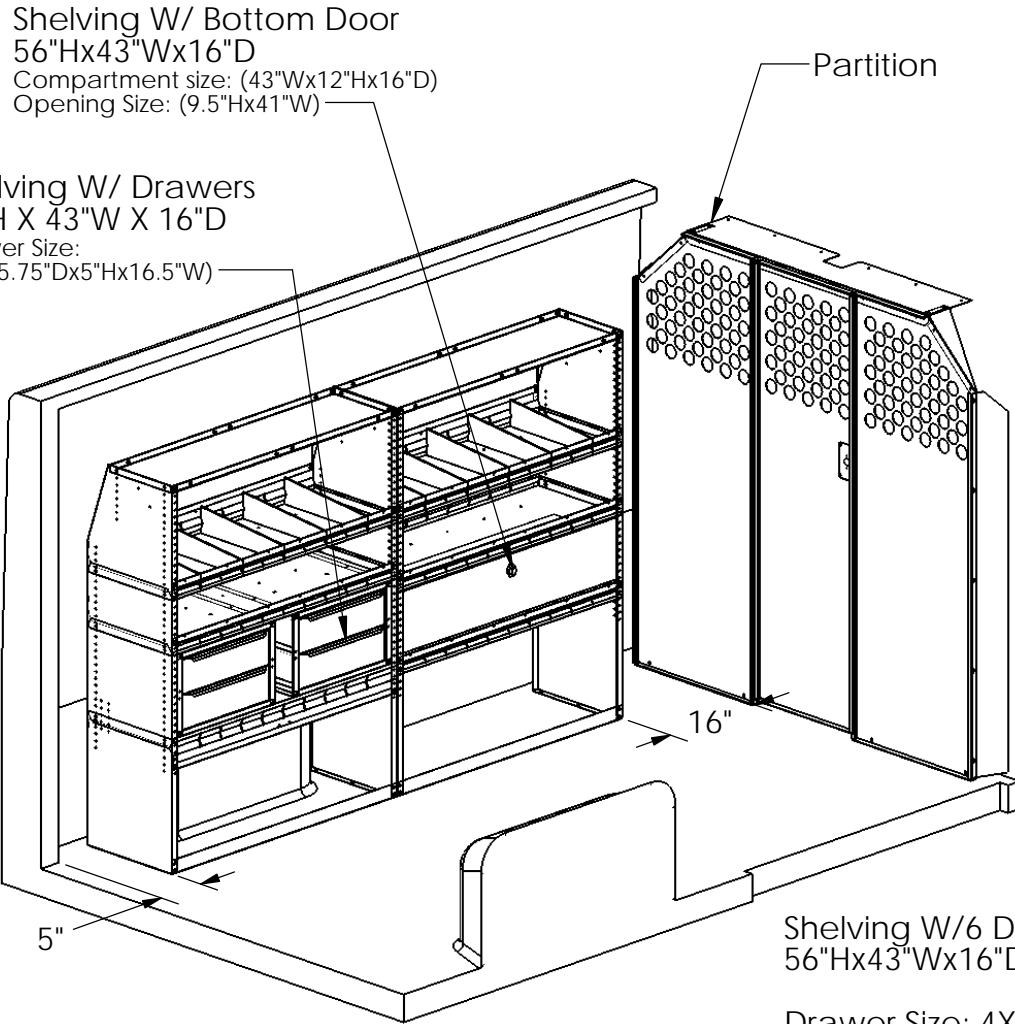
8 7 6 5 4 3 2 1

HARBOR TRUCK BODIES

PHVAC PACKAGE & PARTITION FOR 136" WHEEL BASE RAM PROMASTERS WITH MEDIUM ROOF

REV	DWG	DATE	CHANGE DESCRIPTION
1	KB	10/21/13	CREATED PRINT

THE INFORMATION CONTAINED IN THIS DRAWING IS THE SOLE PROPERTY OF HARBOR TRUCK BODIES. ANY REPRODUCTION IN PART OR WHOLE WITHOUT THE WRITTEN PERMISSION OF HARBOR TRUCK BODIES IS PROHIBITED.



Shelving W/6 Drawers
56"Hx43"Wx16"D
Drawer Size: 4X (15.75"Dx2.5"Hx16.5"W)
2x (15.75"Dx5"Hx16.5"W)

UNLESS OTHERWISE SPECIFIED
DIMENSIONS ARE IN INCHES
TOLERANCES ARE:
DECIMALS ANGLES FRACTIONS
X = +/- .1 X = +/- 1° +/- 1/32"
.XX = +/- .03

SIZE	DESCRIPTION
A	Harbor Van Ram Promaster PHVAC Package
Installed Weight	510 lbs
FINISH	Epoxy Prime
DRAWN	KB
DATE	10/21/13

PACKAGE PART NUMBERS:
HVRPHVAC-M-ND
INSTALLED - 6 HRS

HARBOR TRUCK BODIES

PHVAC PACKAGE FOR 159" WHEEL BASE RAM PROMASTER WITH HIGH ROOF

REV	DWG	DATE	CHANGE DESCRIPTION
1	KB	10/21/13	CREATED PRINT

THE INFORMATION CONTAINED IN THIS DRAWING IS THE SOLE PROPERTY OF HARBOR TRUCK BODIES. ANY REPRODUCTION IN PART OR WHOLE WITHOUT THE WRITTEN PERMISSION OF HARBOR TRUCK BODIES IS PROHIBITED.

Shelving W/ Bottom Door
67"Hx43"Wx16"D
Compartment size: (43"Wx12"Hx16"D)
Opening Size: (9.5"Hx41"W)

34" Shelving
67"H X 34"W X 16"D

24" Shelving
67"H X 24"W X 16"D

Shelving W/ Drawers
67"H X 43"W X 16"D
Drawer Size:
4X (15.75"Dx5"Hx16.5"W)

Partition

Tank Holder
12"Wx12"Dx36"H
Holds 3 (30lb) Tanks

Shelving W/6 Drawers
67"Hx43"Wx16"D

Drawer Size: 4X (15.75"Dx2.5"Hx16.5"W)
2x (15.75"Dx5"Hx16.5"W)

5"

5"

UNLESS OTHERWISE SPECIFIED
DIMENSIONS ARE IN INCHES
TOLERANCES ARE:
DECIMALS ANGLES FRACTIONS
X = +/- .1 X = +/- 1° +/- 1/32"
XX = +/- .03

SIZE	DESCRIPTION	FINISH	DRAWN	DATE
A	Harbor Van Ram Promaster 159" WB PHVAC Package	Epoxy Prime	KB	10/21/13
Installed Weight	670 lbs			

PACKAGE PART NUMBERS:
HVRPHVAC-159WB-ND
INSTALLED - 7.8 HRS

8 7 6 5 4 3 2 1

HARBOR TRUCK BODIES

PHVAC PACKAGE FOR 159" WHEEL BASE RAM PROMASTER WITH HIGH ROOF

REV	DWG	DATE	CHANGE DESCRIPTION
1	KB	10/21/13	CREATED PRINT

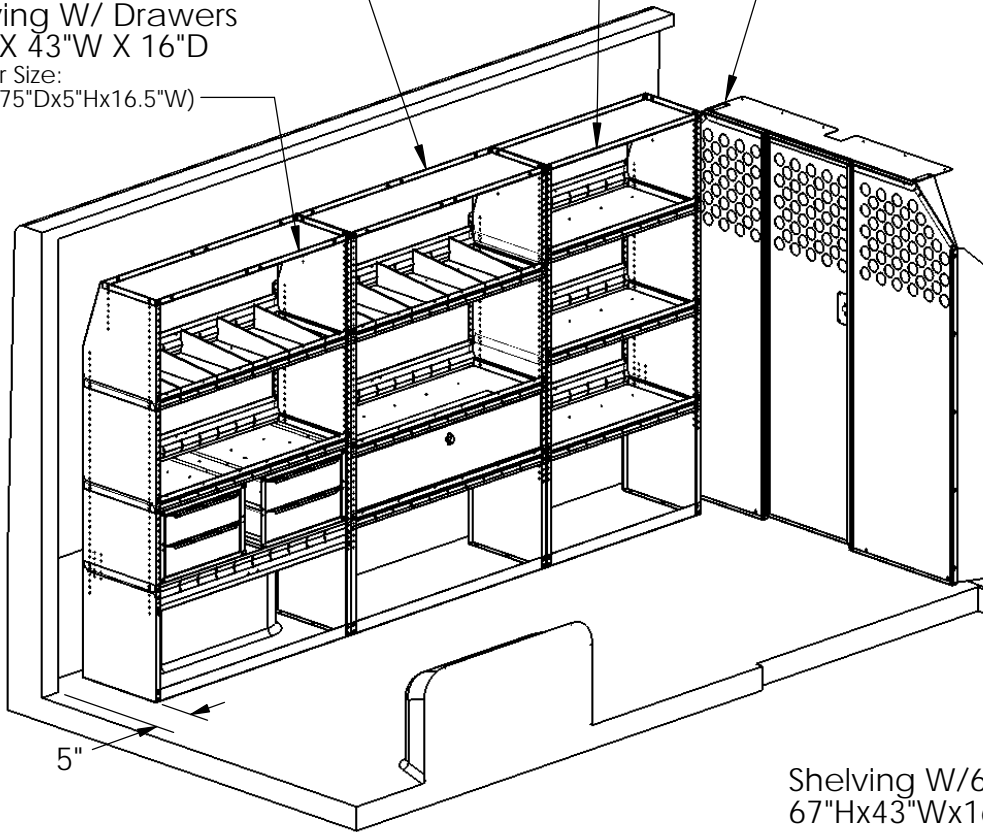
THE INFORMATION CONTAINED IN THIS DRAWING IS THE SOLE PROPERTY OF HARBOR TRUCK BODIES. ANY REPRODUCTION IN PART OR WHOLE WITHOUT THE WRITTEN PERMISSION OF HARBOR TRUCK BODIES IS PROHIBITED.

Shelving W/ Bottom Door
67"Hx43"Wx16"D
Compartment size: (43"Wx12"Hx16"D)
Opening Size: (9.5"Hx41"W)

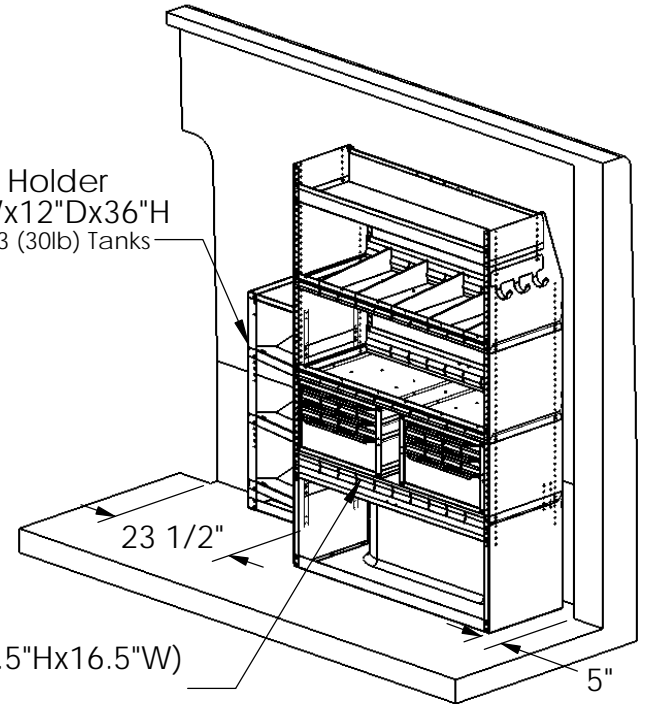
34" Shelving
67"H X 34"W X 16"D

Partition

Shelving W/ Drawers
67"H X 43"W X 16"D
Drawer Size:
4X (15.75"Dx5"Hx16.5"W)



Tank Holder
12"Wx12"Dx36"H
Holds 3 (30lb) Tanks



Shelving W/6 Drawers
67"Hx43"Wx16"D

Drawer Size: 4X (15.75"Dx2.5"Hx16.5"W)
2x (15.75"Dx5"Hx16.5"W)

UNLESS OTHERWISE SPECIFIED
DIMENSIONS ARE IN INCHES
TOLERANCES ARE:
DECIMALS ANGLES FRACTIONS
X = +/- .1 X = +/- 1° +/- 1/32"
XX = +/- .03

SIZE DESCRIPTION
A Harbor Van Ram Promaster 159" WB PHVAC Package

Installed Weight 670 lbs

FINISH Epoxy Prime

DRAWN KB

DATE 10/21/13

PACKAGE PART NUMBERS:
HVRPHVAC-ECO-ND
INSTALLED - 6.8 HRS

HARBOR TRUCK BODIES

PHVAC PACKAGE FOR 159" WHEEL BASE RAM PROMASTER WITH HIGH ROOF

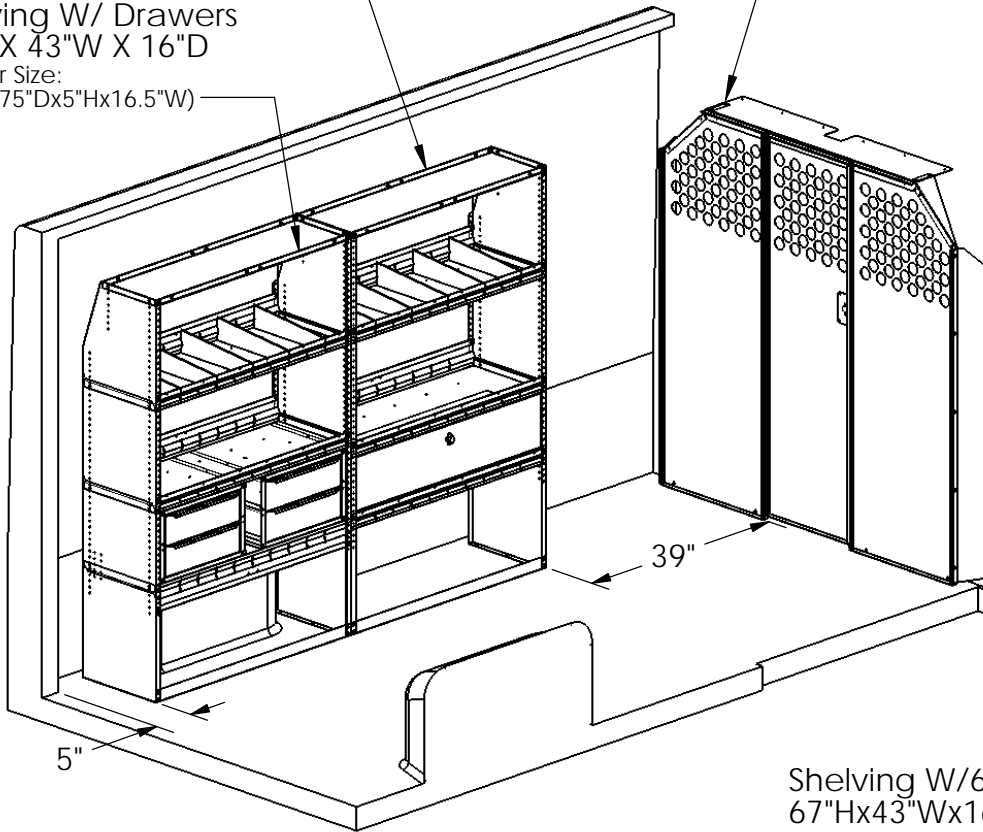
REV	DWG	DATE	CHANGE DESCRIPTION
1	KB	10/21/13	CREATED PRINT

THE INFORMATION CONTAINED IN THIS DRAWING IS THE SOLE PROPERTY OF HARBOR TRUCK BODIES. ANY REPRODUCTION IN PART OR WHOLE WITHOUT THE WRITTEN PERMISSION OF HARBOR TRUCK BODIES IS PROHIBITED.

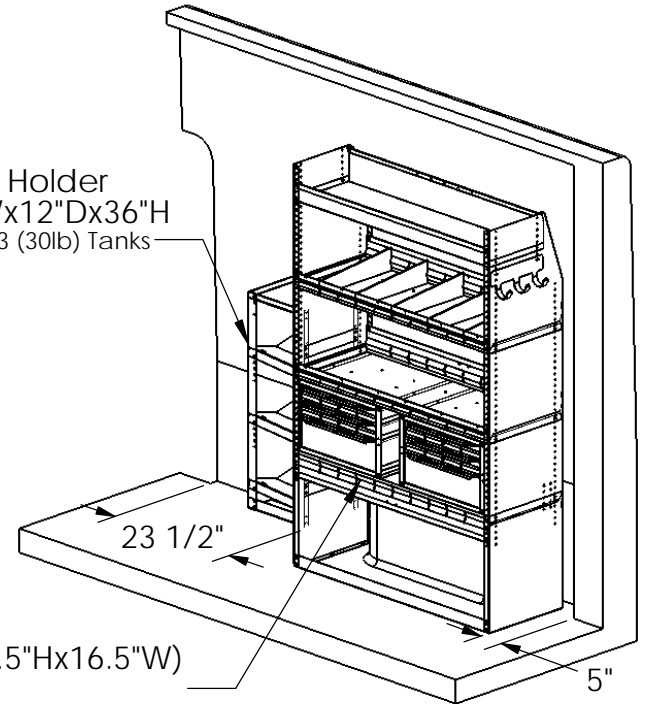
Shelving W/ Bottom Door
67"Hx43"Wx16"D
Compartment size: (43"Wx12"Hx16"D)
Opening Size: (9.5"Hx41"W)

Shelving W/ Drawers
67"H X 43"W X 16"D
Drawer Size:
4X (15.75"Dx5"Hx16.5"W)

Partition



Tank Holder
12"Wx12"Dx36"H
Holds 3 (30lb) Tanks



Shelving W/6 Drawers
67"Hx43"Wx16"D

Drawer Size: 4X (15.75"Dx2.5"Hx16.5"W)
2x (15.75"Dx5"Hx16.5"W)

UNLESS OTHERWISE SPECIFIED
DIMENSIONS ARE IN INCHES
TOLERANCES ARE:
DECIMALS ANGLES FRACTIONS
X = +/- .1 X = +/- 1° +/- 1/32"
.XX = +/- .03

SIZE	DESCRIPTION	FINISH	DRAWN	DATE
A	Harbor Van Ram Promaster 159" WB PHVAC Package	Epoxy Prime	KB	10/21/13
Installed Weight	670 lbs			

PACKAGE PART NUMBERS:
HVRPHVAC-H-ND
INSTALLED - 6 HRS

8 7 6 5 4 3 2 1