

HARBOR TRUCK BODIES

GENERAL SERVICE PACKAGE & PARTITION FOR 118" WHEEL BASE RAM PROMASTERS WITH MEDIUM ROOF

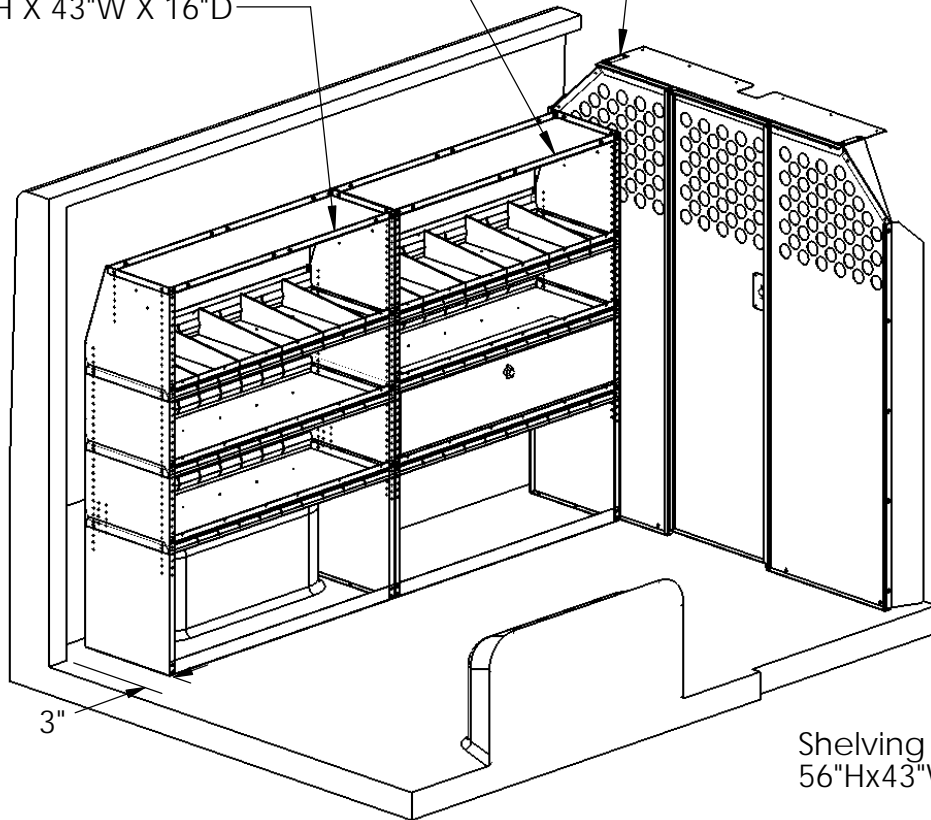
REV	DWG	DATE	CHANGE DESCRIPTION
1	KB	10/21/13	CREATED PRINT

THE INFORMATION CONTAINED IN THIS DRAWING IS THE SOLE PROPERTY OF HARBOR TRUCK BODIES. ANY REPRODUCTION IN PART OR WHOLE WITHOUT THE WRITTEN PERMISSION OF HARBOR TRUCK BODIES IS PROHIBITED.

Shelving W/ Bottom Door
 56"Hx43"Wx16"D
 Compartment size: (43"Wx12"Hx16"D)
 Opening Size: (9.5"Hx41"W)

Shelving W/ Drop-in Dividers
 56"H X 43"W X 16"D

Partition

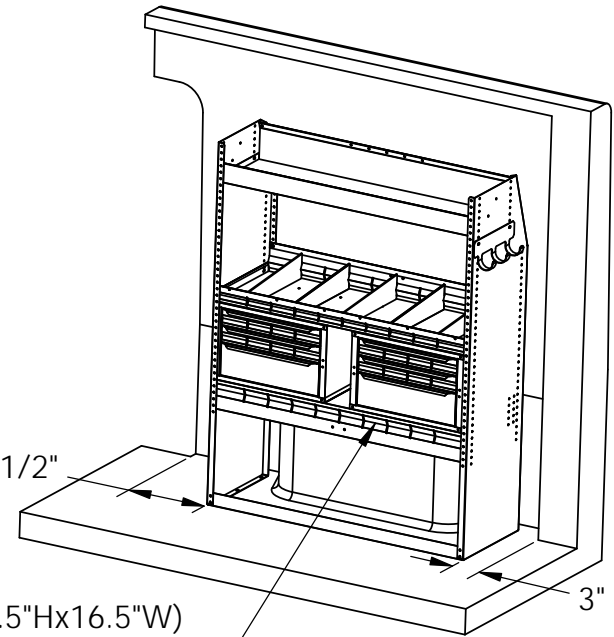


Shelving W/6 Drawers
 56"Hx43"Wx16"D

Drawer Size: 4X (15.75"Dx2.5"Hx16.5"W)
 2x (15.75"Dx5"Hx16.5"w)

3 1/2"

3"



UNLESS OTHERWISE SPECIFIED
 DIMENSIONS ARE IN INCHES
 TOLERANCES ARE:
 DECIMALS ANGLES FRACTIONS
 X = +/- .1 X = +/- 1° +/- 1/32"
 .XX = +/- .03

SIZE	DESCRIPTION	FINISH	DRAWN	DATE
A	Harbor Van Ram Promaster General Service Package	Epoxy Prime	KB	10/21/13
Installed Weight	434 lbs			

PACKAGE PART NUMBERS:
HVRGS-M-ND
INSTALLED - 5 HRS

8 7 6 5 4 3 2 1

HARBOR TRUCK BODIES

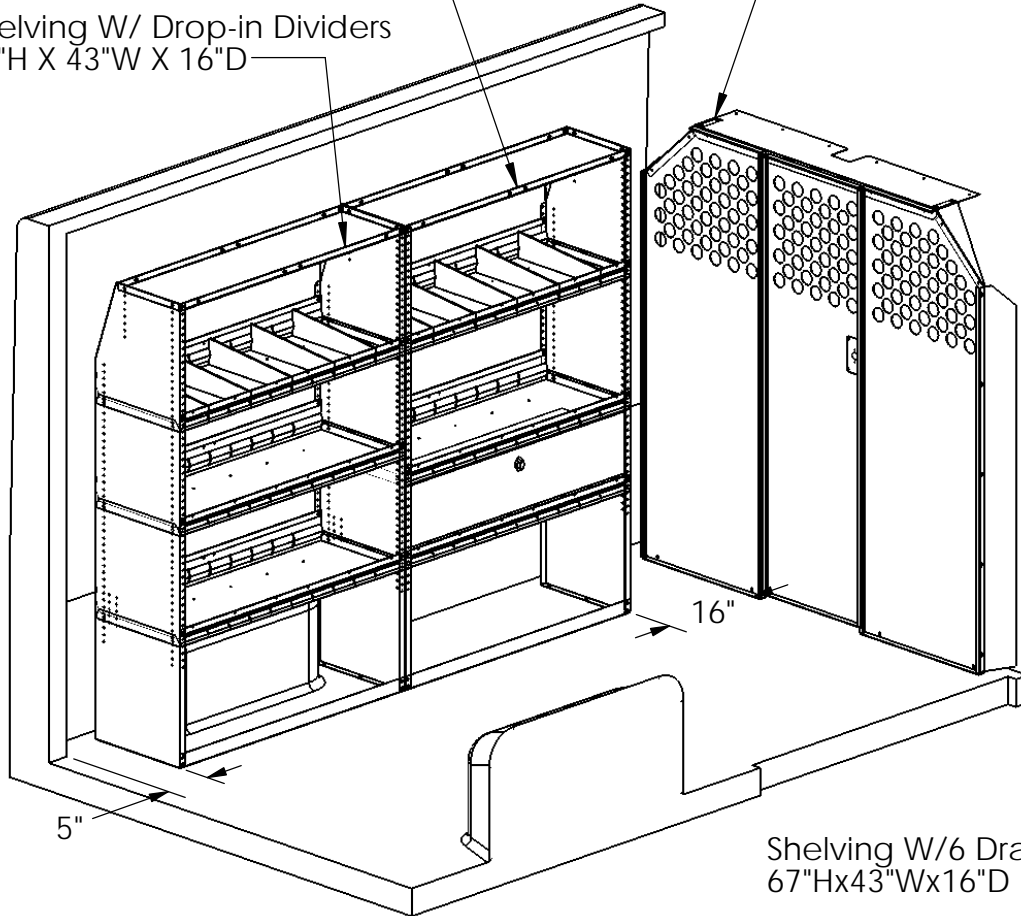
GENERAL SERVICE PACKAGE & PARTITION FOR 136" WHEEL BASE
RAM PROMASTERS WITH HIGH ROOF

REV	DWG	DATE	CHANGE DESCRIPTION
1	KB	10/21/13	CREATED PRINT

Shelving W/ Bottom Door
67"Hx43"Wx16"D
Compartment size: (43"Wx12"Hx16"D)
Opening Size: (9.5"Hx41"W)

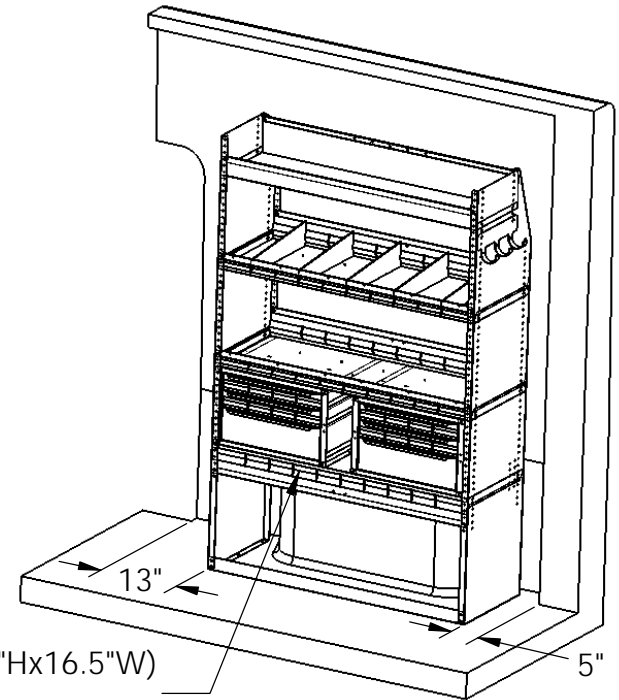
Shelving W/ Drop-in Dividers
67"H X 43"W X 16"D

Partition



Shelving W/6 Drawers
67"Hx43"Wx16"D

Drawer Size: 4X (15.75"Dx2.5"Hx16.5"W)
2x (15.75"Dx5"Hx16.5"w)



THE INFORMATION CONTAINED IN THIS DRAWING IS THE SOLE PROPERTY OF HARBOR TRUCK BODIES. ANY REPRODUCTION IN PART OR WHOLE WITHOUT THE WRITTEN PERMISSION OF HARBOR TRUCK BODIES IS PROHIBITED.

UNLESS OTHERWISE SPECIFIED
DIMENSIONS ARE IN INCHES
TOLERANCES ARE:
DECIMALS ANGLES FRACTIONS
X = +/- .1 X = +/- 1° +/- 1/32"
.XX = +/- .03

SIZE	DESCRIPTION
A	Harbor Van Ram Promaster General Service Package
Installed Weight	452 lbs
FINISH	Epoxy Prime
DRAWN	KB
DATE	10/21/13

PACKAGE PART NUMBERS:
HVRGS-H-ND
INSTALLED - 5 HRS

8 7 6 5 4 3 2 1

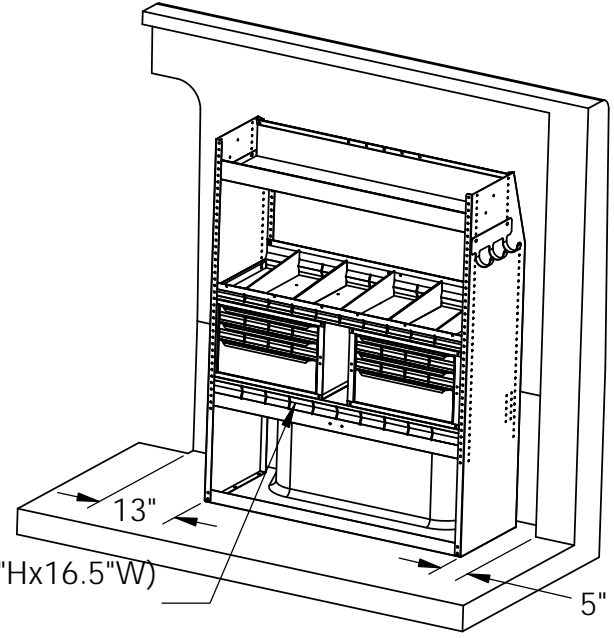
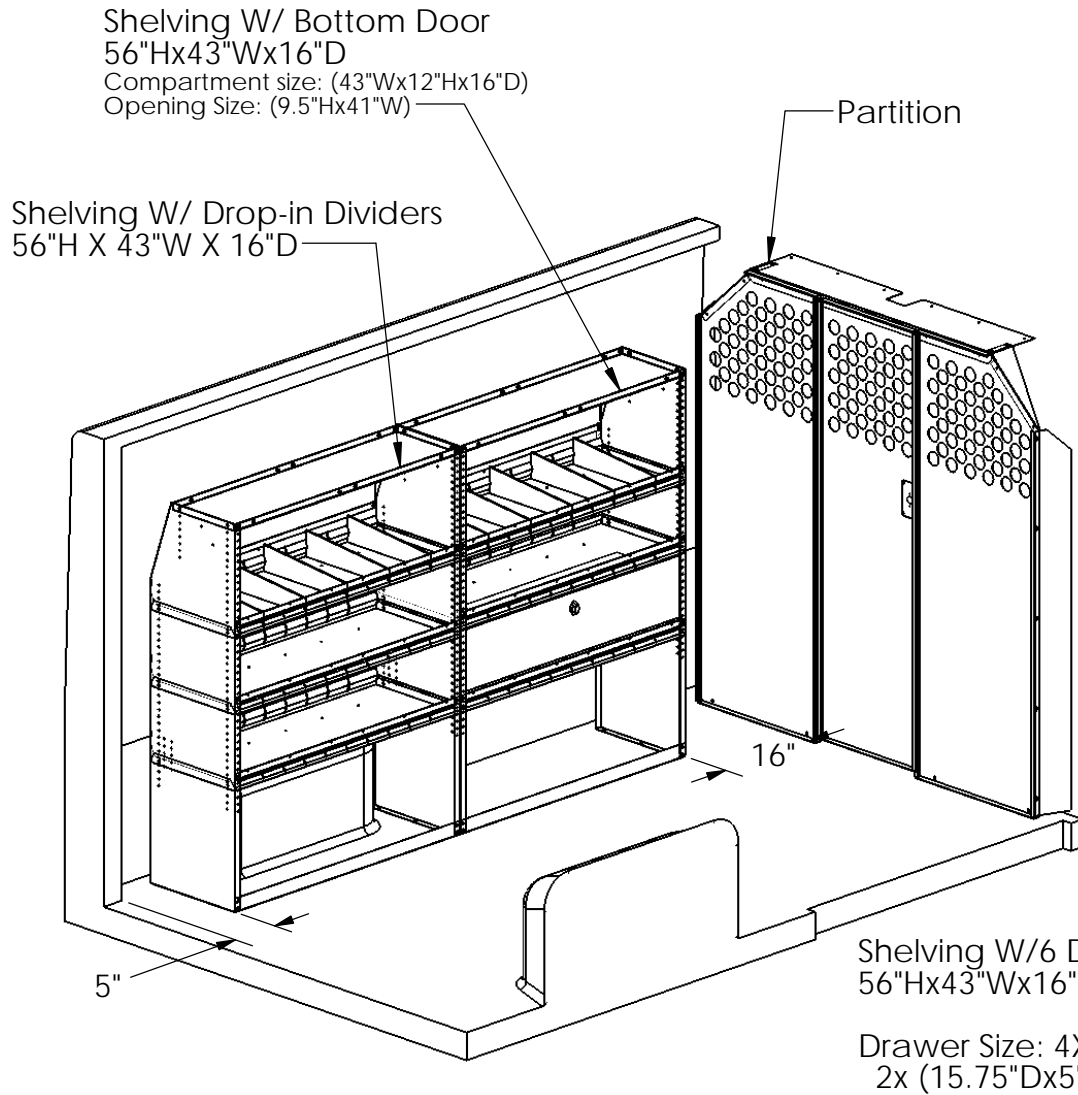
8 7 6 5 4 3 2 1

THE INFORMATION CONTAINED IN THIS DRAWING IS THE SOLE PROPERTY OF HARBOR TRUCK BODIES. ANY REPRODUCTION IN PART OR WHOLE WITHOUT THE WRITTEN PERMISSION OF HARBOR TRUCK BODIES IS PROHIBITED.

HARBOR TRUCK BODIES

GENERAL SERVICE PACKAGE & PARTITION FOR 136" WHEEL BASE RAM PROMASTERS WITH MEDIUM ROOF

REV	DWG	DATE	CHANGE DESCRIPTION
1	KB	10/21/13	CREATED PRINT



UNLESS OTHERWISE SPECIFIED
DIMENSIONS ARE IN INCHES
TOLERANCES ARE:
DECIMALS ANGLES FRACTIONS
X = +/- .1 X = +/- 1° +/- 1/32"
.XX = +/- .03

SIZE	DESCRIPTION	FINISH	DRAWN	DATE
A	Harbor Van Ram Promaster General Service Package	Epoxy Prime	KB	10/21/13
Installed Weight	434 lbs			

PACKAGE PART NUMBERS:
HVRGS-M-ND
INSTALLED - 5 HRS

8 7 6 5 4 3 2 1

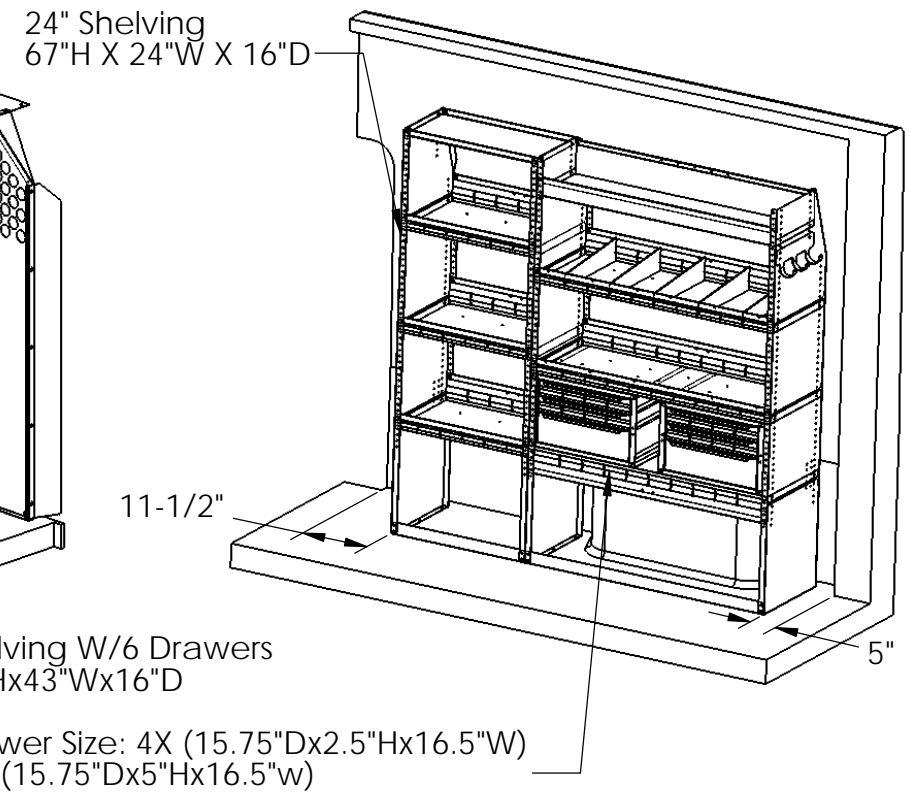
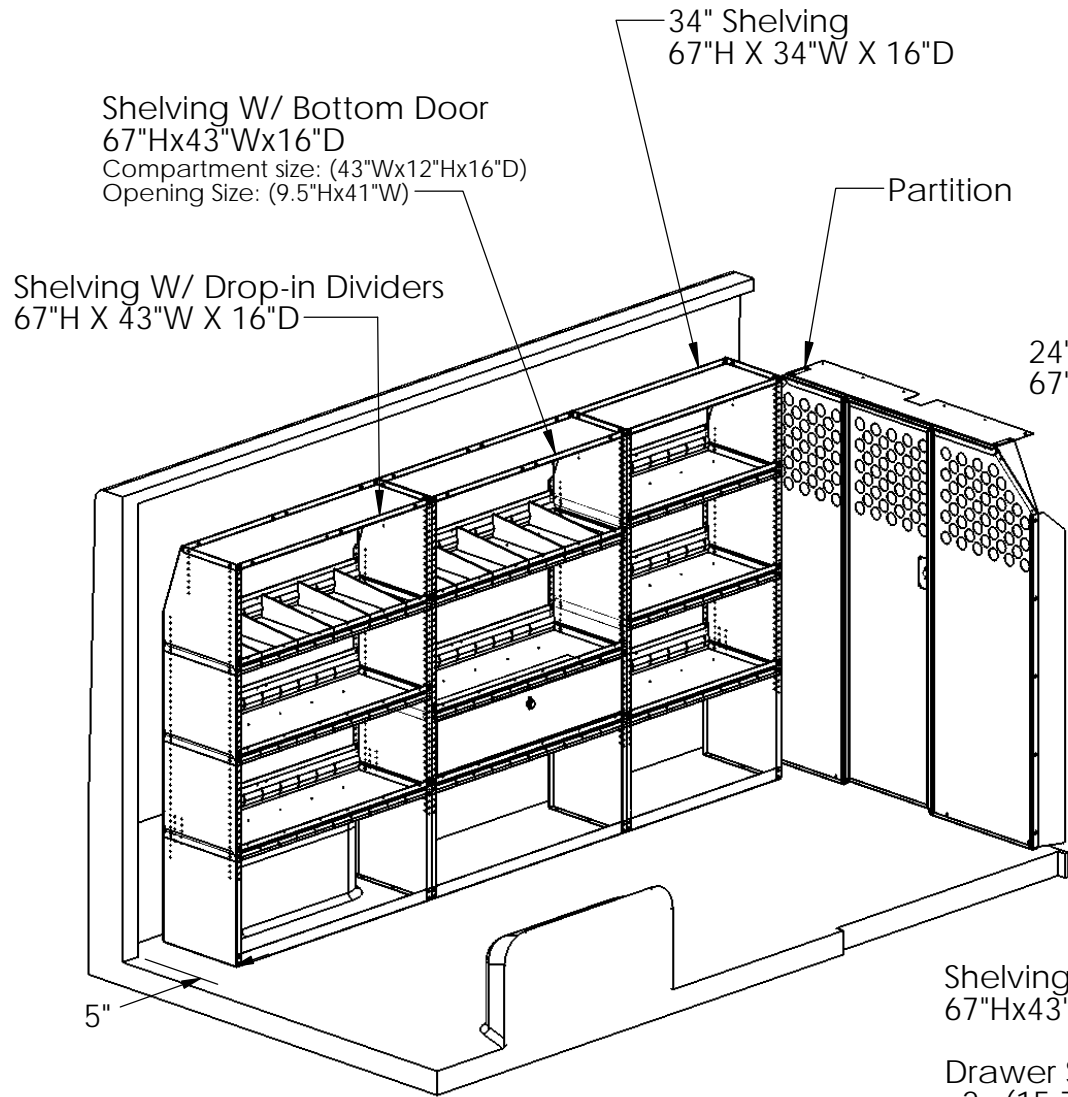
HARBOR TRUCK BODIES

GENERAL SERVICE PACKAGE

FOR 159" WHEEL BASE RAM PROMASTER

REV	DWG	DATE	CHANGE DESCRIPTION
1	KB	10/21/13	CREATED PRINT

THE INFORMATION CONTAINED IN THIS DRAWING IS THE SOLE PROPERTY OF HARBOR TRUCK BODIES. ANY REPRODUCTION IN PART OR WHOLE WITHOUT THE WRITTEN PERMISSION OF HARBOR TRUCK BODIES IS PROHIBITED.



UNLESS OTHERWISE SPECIFIED
DIMENSIONS ARE IN INCHES
TOLERANCES ARE:
DECIMALS ANGLES FRACTIONS
X = +/- .1 X = +/- 1° +/- 1/32"
.XX = +/- .03

SIZE	DESCRIPTION
A	Harbor Van Ram Promaster General Service 159" WB
Installed Weight	594 lbs
FINISH	Epoxy Prime
DRAWN	KB
DATE	10/21/13

PACKAGE PART NUMBERS:
HVRGS-159WB-ND
INSTALLED - 6.75 HRS

8 7 6 5 4 3 2 1

D
C
B
A

D
C
B
A

8 7 6 5 4 3 2 1

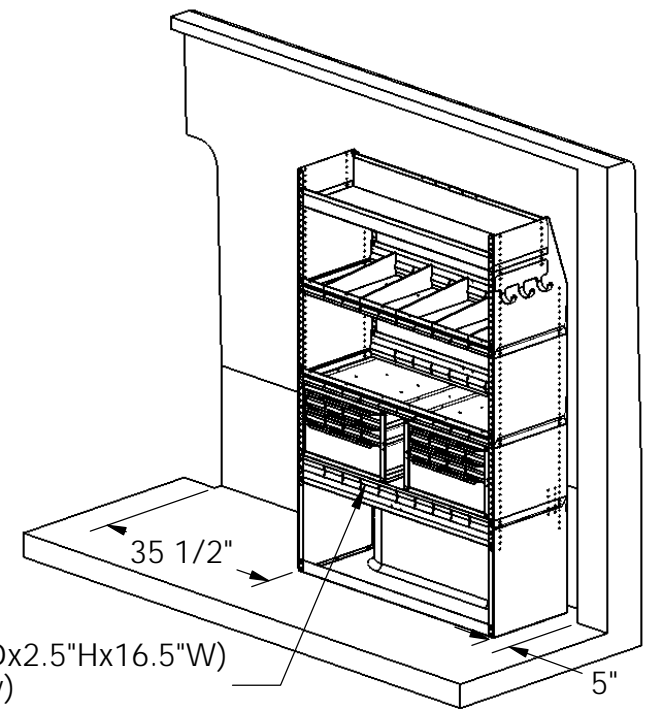
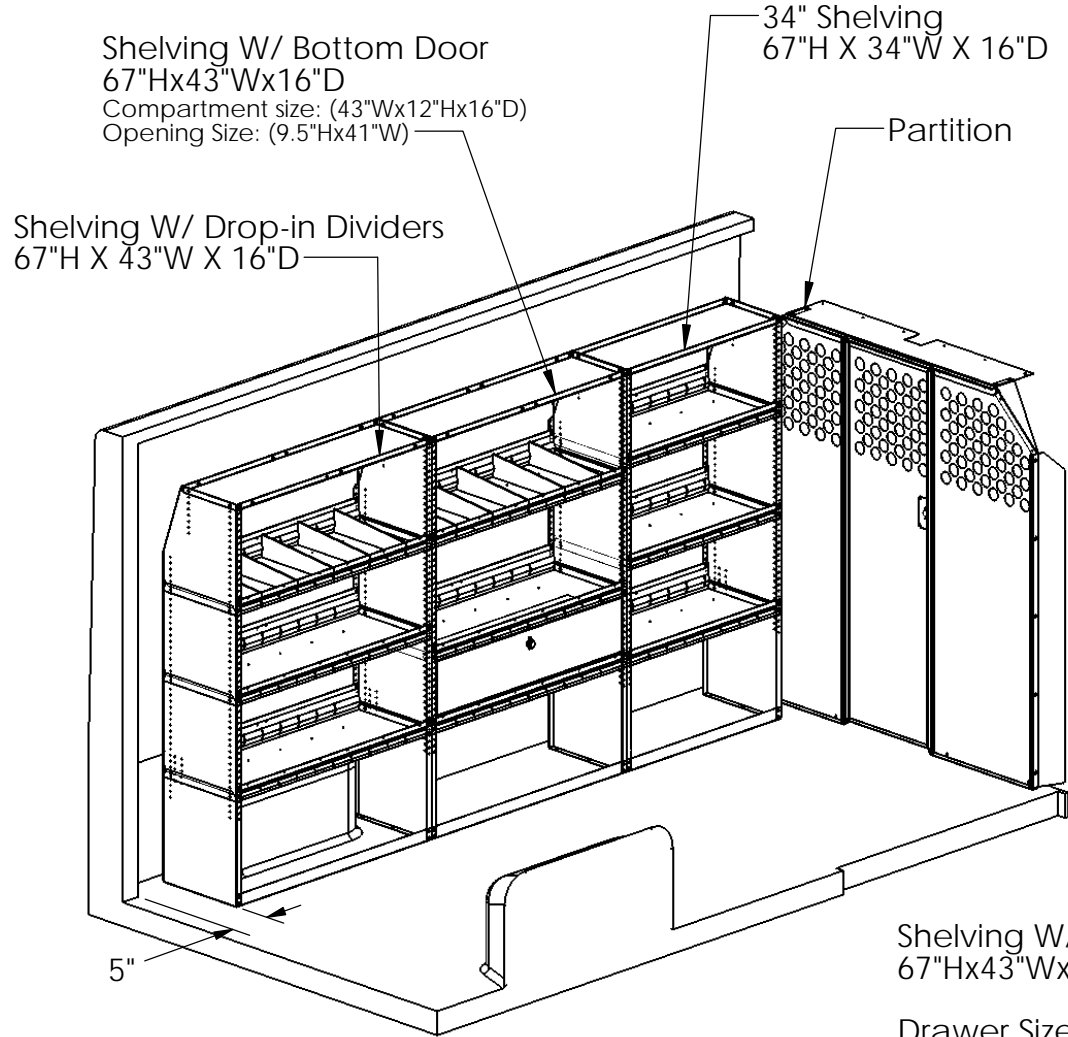
HARBOR TRUCK BODIES

GENERAL SERVICE PACKAGE

FOR 159" WHEEL BASE RAM PROMASTER

REV	DWG	DATE	CHANGE DESCRIPTION
1	KB	10/21/13	CREATED PRINT

THE INFORMATION CONTAINED IN THIS DRAWING IS THE SOLE PROPERTY OF HARBOR TRUCK BODIES. ANY REPRODUCTION IN PART OR WHOLE WITHOUT THE WRITTEN PERMISSION OF HARBOR TRUCK BODIES IS PROHIBITED.



UNLESS OTHERWISE SPECIFIED
DIMENSIONS ARE IN INCHES
TOLERANCES ARE:
DECIMALS ANGLES FRACTIONS
X = +/- .1 X = +/- 1° +/- 1/32"
.XX = +/- .03

SIZE	DESCRIPTION
A	Harbor Van Ram Promaster General Service 159" WB
Installed Weight	594 lbs
FINISH	Epoxy Prime
DRAWN	KB
DATE	10/21/13

PACKAGE PART NUMBERS:
HVRGS-ECO-ND
INSTALLED - 6 HRS

8 7 6 5 4 3 2 1

HARBOR TRUCK BODIES

GENERAL SERVICE PACKAGE

FOR 159" WHEEL BASE RAM PROMASTER

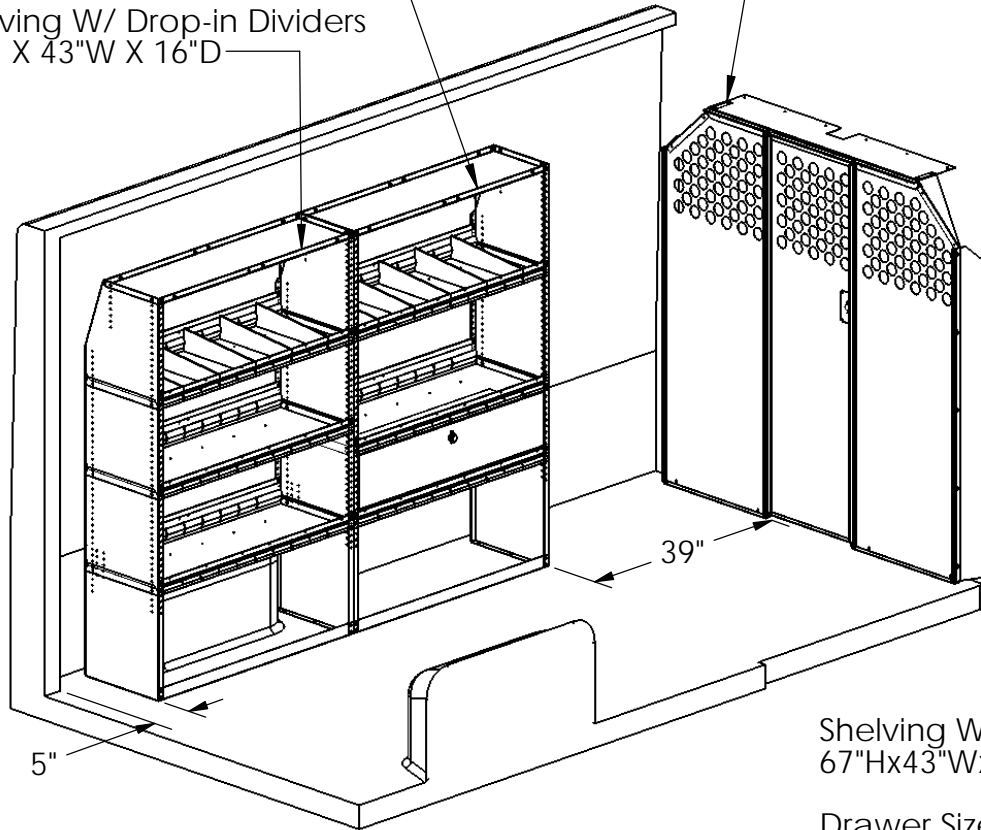
REV	DWG	DATE	CHANGE DESCRIPTION
1	KB	10/21/13	CREATED PRINT

THE INFORMATION CONTAINED IN THIS DRAWING IS THE SOLE PROPERTY OF HARBOR TRUCK BODIES. ANY REPRODUCTION IN PART OR WHOLE WITHOUT THE WRITTEN PERMISSION OF HARBOR TRUCK BODIES IS PROHIBITED.

Shelving W/ Bottom Door
67"Hx43"Wx16"D
Compartment size: (43"Wx12"Hx16"D)
Opening Size: (9.5"Hx41"W)

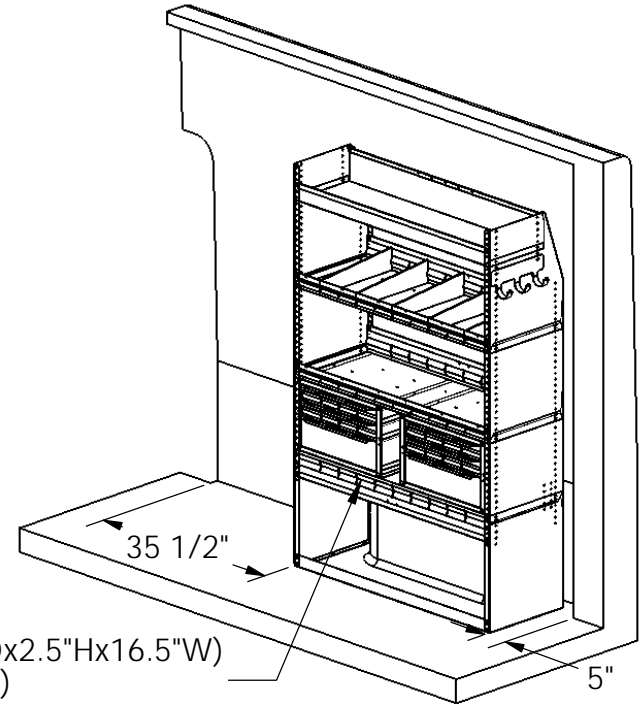
Shelving W/ Drop-in Dividers
67"H X 43"W X 16"D

Partition



Shelving W/6 Drawers
67"Hx43"Wx16"D

Drawer Size: 4X (15.75"Dx2.5"Hx16.5"W)
2x (15.75"Dx5"Hx16.5"W)



UNLESS OTHERWISE SPECIFIED
DIMENSIONS ARE IN INCHES
TOLERANCES ARE:
DECIMALS ANGLES FRACTIONS
X = +/- .1 X = +/- 1° +/- 1/32"
.XX = +/- .03

SIZE	DESCRIPTION
A	Harbor Van Ram Promaster General Service 159" WB
Installed Weight	594 lbs
FINISH	Epoxy Prime
DRAWN	KB
DATE	10/21/13

PACKAGE PART NUMBERS:
HVRGS-H-ND
INSTALLED - 5 HRS