

HARBOR TRUCK BODIES

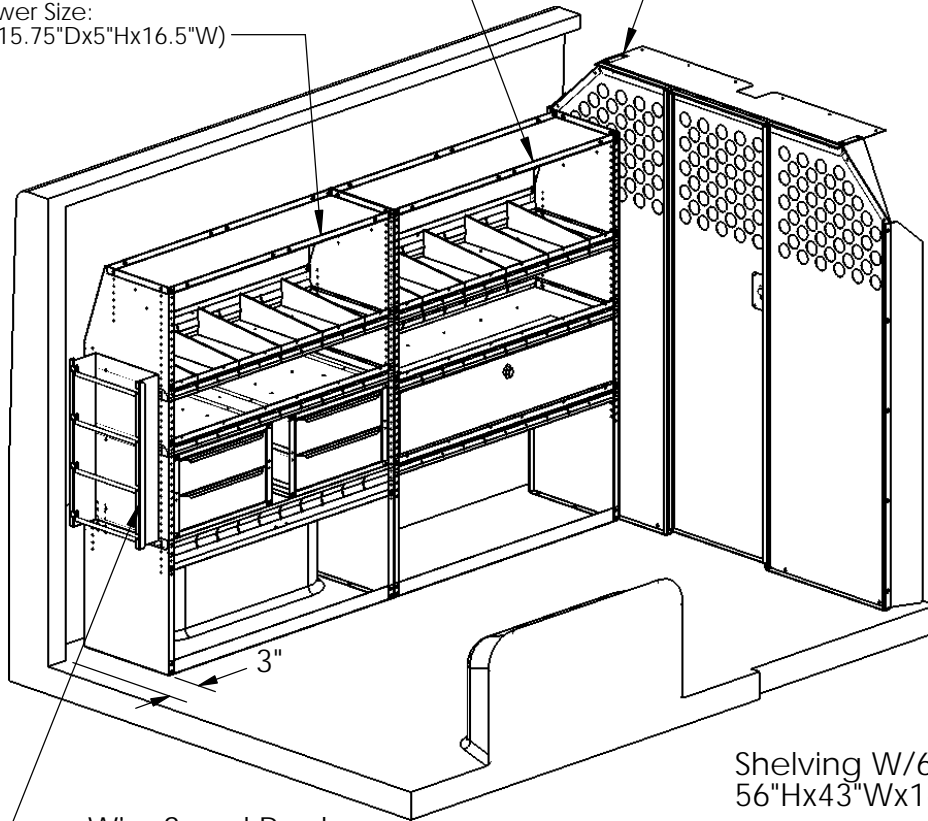
ELECTRICAL PACKAGE & PARTITION FOR 118" WHEEL BASE RAM PROMASTERS WITH MEDIUM ROOF

REV	DWG	DATE	CHANGE DESCRIPTION
1	KB	10/21/13	CREATED PRINT

Shelving W/ Bottom Door
 56"Hx43"Wx16"D
 Compartment size: (43"Wx12"Hx16"D)
 Opening Size: (9.5"Hx41"W)

Shelving W/ Drawers
 56"H X 43"W X 16"D
 Drawer Size:
 4X (15.75"Dx5"Hx16.5"W)

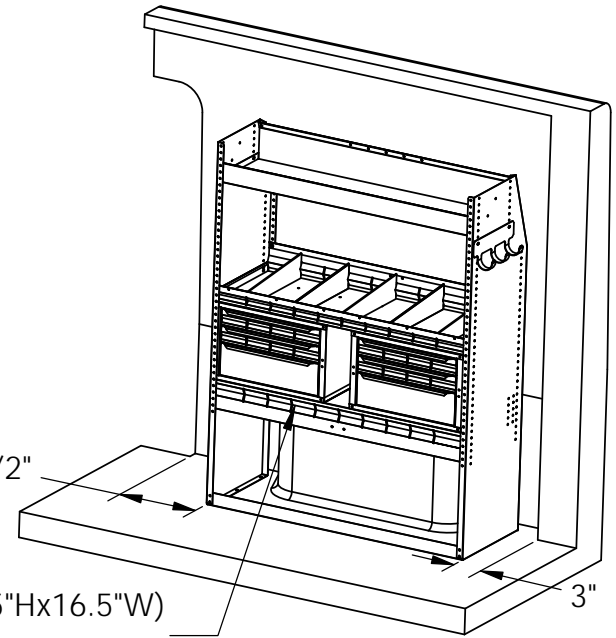
Partition



Wire Spool Rack
 #6VIF-WIRERACK
 Holds 4 (6.5" DIA) Spools

Shelving W/6 Drawers
 56"Hx43"Wx16"D

Drawer Size: 4X (15.75"Dx2.5"Hx16.5"W)
 2x (15.75"Dx5"Hx16.5"W)



UNLESS OTHERWISE SPECIFIED
 DIMENSIONS ARE IN INCHES
 TOLERANCES ARE:
 DECIMALS ANGLES FRACTIONS
 .X = +/- .1 X = +/- 1° +/- 1/32"
 .XX = +/- .03

SIZE	DESCRIPTION
A	Harbor Van Ram Promaster Electrical Contractor Package
Installed Weight	491 lbs
FINISH	Epoxy Prime
DRAWN	KB
DATE	10/21/13

PACKAGE PART NUMBERS:
HVREC-M-ND
 INSTALLED - 5.75 HRS

THE INFORMATION CONTAINED IN THIS DRAWING IS THE SOLE PROPERTY OF HARBOR TRUCK BODIES ANY REPRODUCTION IN PART OR WHOLE WITHOUT THE WRITTEN PERMISSION OF HARBOR TRUCK BODIES IS PROHIBITED.

8 7 6 5 4 3 2 1

D
C
B
A

D
C
B
A

8 7 6 5 4 3 2 1

HARBOR TRUCK BODIES

ELECTRICAL PACKAGE & PARTITION FOR 136" WHEEL BASE RAM PROMASTER WITH HIGH ROOF

REV	DWG	DATE	CHANGE DESCRIPTION
1	KB	10/21/13	CREATED PRINT

THE INFORMATION CONTAINED IN THIS DRAWING IS THE SOLE PROPERTY OF HARBOR TRUCK BODIES. ANY REPRODUCTION IN PART OR WHOLE WITHOUT THE WRITTEN PERMISSION OF HARBOR TRUCK BODIES IS PROHIBITED.

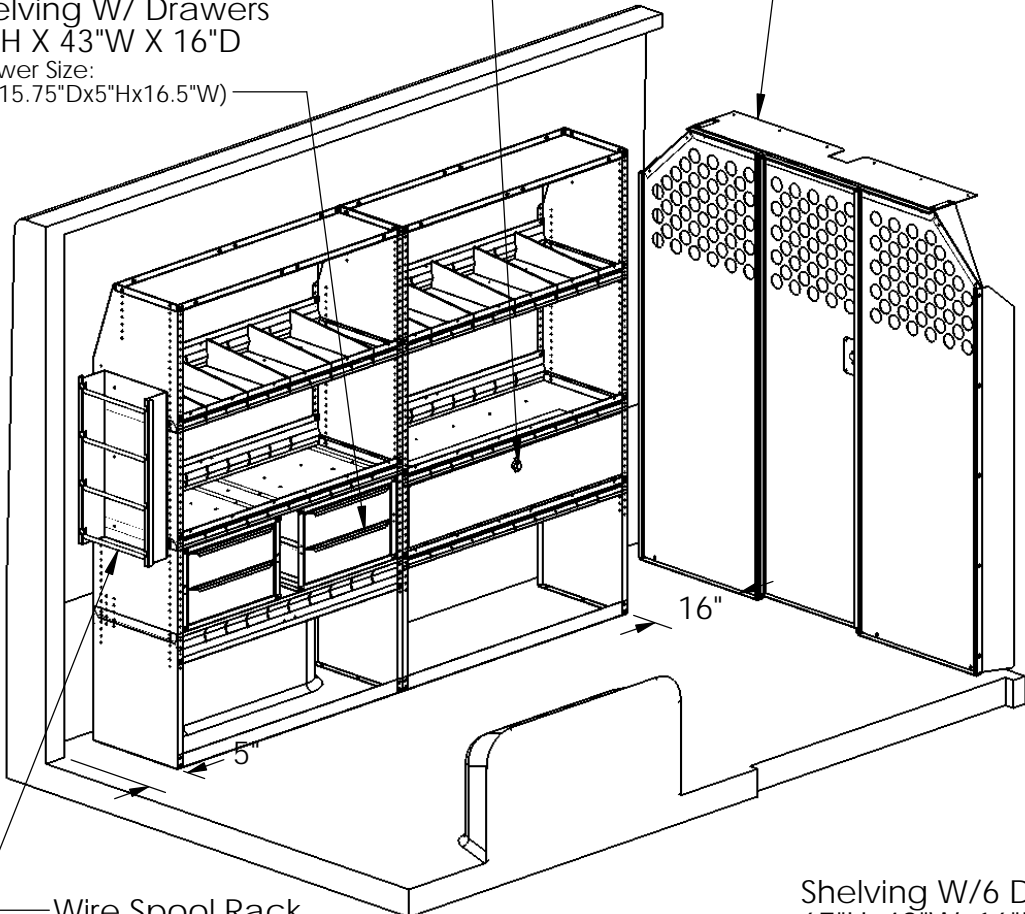
D
C
B
A

D
C
B
A

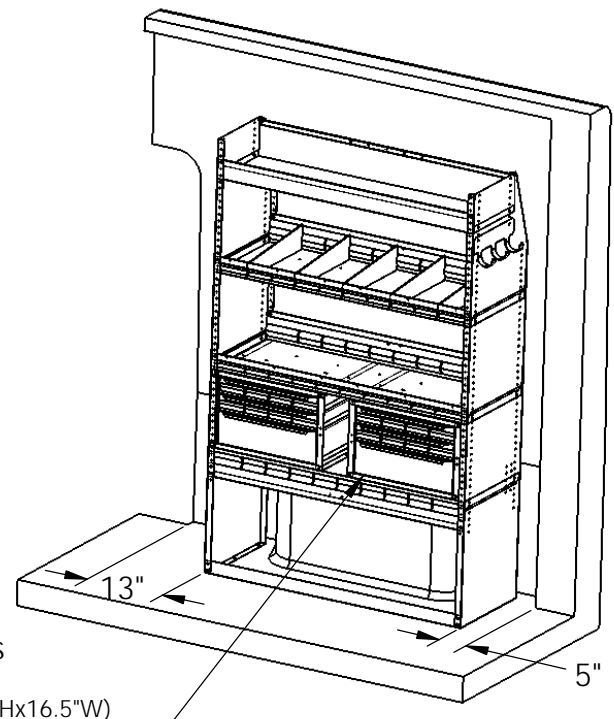
Shelving W/ Bottom Door
67"Hx43"Wx16"D
Compartment size: (43"Wx12"Hx16"D)
Opening Size: (9.5"Hx41"W)

Shelving W/ Drawers
67"H X 43"W X 16"D
Drawer Size:
4X (15.75"Dx5"Hx16.5"W)

Partition



Wire Spool Rack
Holds 4 (6.5" DIA) Spools



Shelving W/6 Drawers
67"Hx43"Wx16"D
Drawer Size: 4X (15.75"Dx2.5"Hx16.5"W)
2x (15.75"Dx5"Hx16.5"W)



UNLESS OTHERWISE SPECIFIED
DIMENSIONS ARE IN INCHES
TOLERANCES ARE:
DECIMALS ANGLES FRACTIONS
X = +/- .1 X = +/- 1° +/- 1/32"
.XX = +/- .03

SIZE	DESCRIPTION	FINISH	DRAWN	DATE
A	Harbor Van Ram Promaster Electrical Contractor Package	Epoxy Prime	KB	10/21/13
Installed Weight	509 lbs			

PACKAGE PART NUMBERS:
HVREC-H-ND
INSTALLED - 5.75 HRS

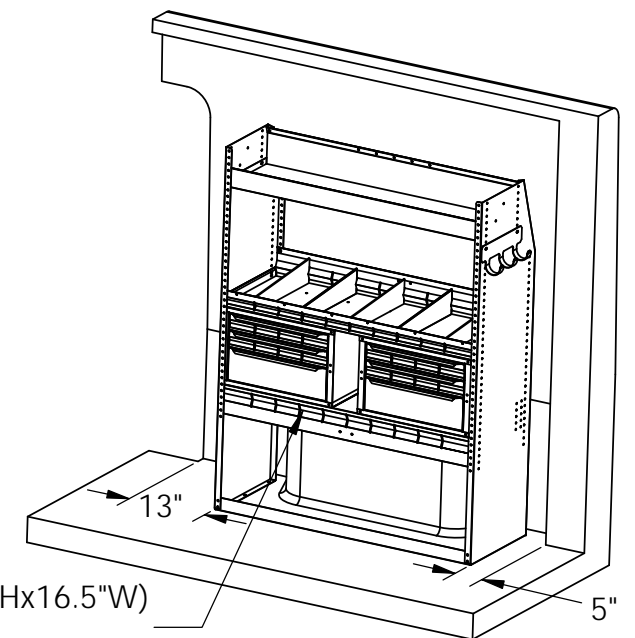
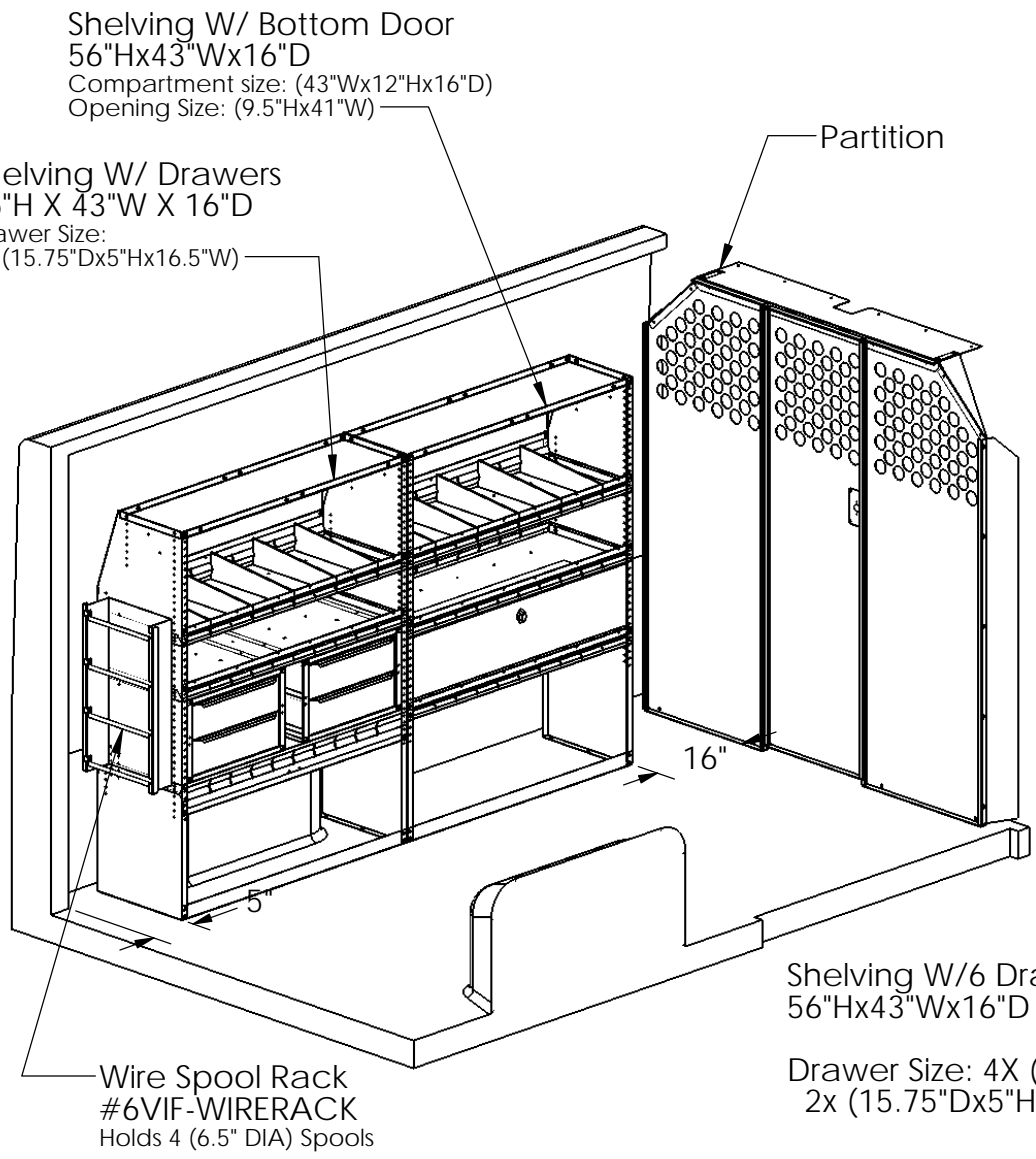
8 7 6 5 4 3 2 1

HARBOR TRUCK BODIES

ELECTRICAL PACKAGE & PARTITION FOR 136" WHEEL BASE RAM PROMASTERS WITH MEDIUM ROOF

REV	DWG	DATE	CHANGE DESCRIPTION
1	KB	10/21/13	CREATED PRINT

THE INFORMATION CONTAINED IN THIS DRAWING IS THE SOLE PROPERTY OF HARBOR TRUCK BODIES. ANY REPRODUCTION IN PART OR WHOLE WITHOUT THE WRITTEN PERMISSION OF HARBOR TRUCK BODIES IS PROHIBITED.



UNLESS OTHERWISE SPECIFIED
DIMENSIONS ARE IN INCHES
TOLERANCES ARE:
DECIMALS ANGLES FRACTIONS
X = +/- .1 X = +/- 1° +/- 1/32"
.XX = +/- .03

SIZE	DESCRIPTION
A	Harbor Van Ram Promaster Electrical Contractor Package
Installed Weight	491 lbs
FINISH	Epoxy Prime
DRAWN	KB
DATE	10/21/13

PACKAGE PART NUMBERS:
HVREC-M-ND
INSTALLED - 5.75 HRS

8 7 6 5 4 3 2 1

HARBOR TRUCK BODIES

ELECTRICAL HIGH PACKAGE

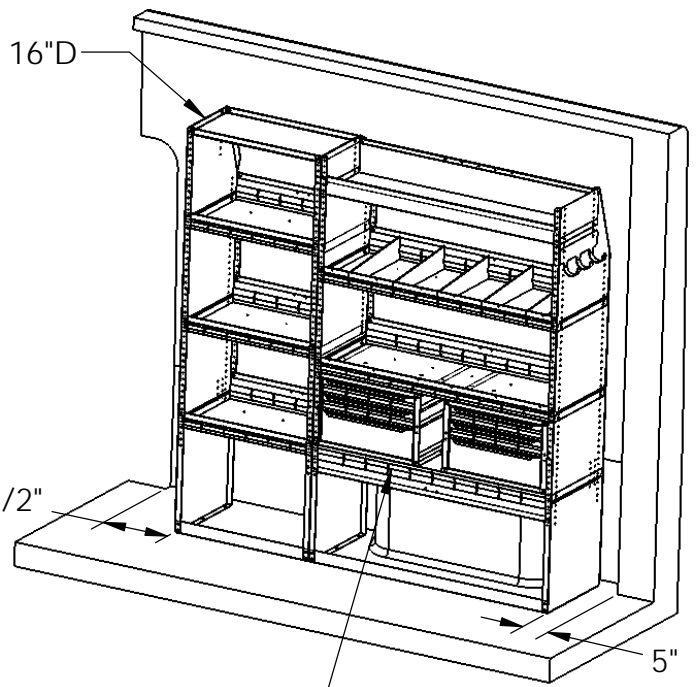
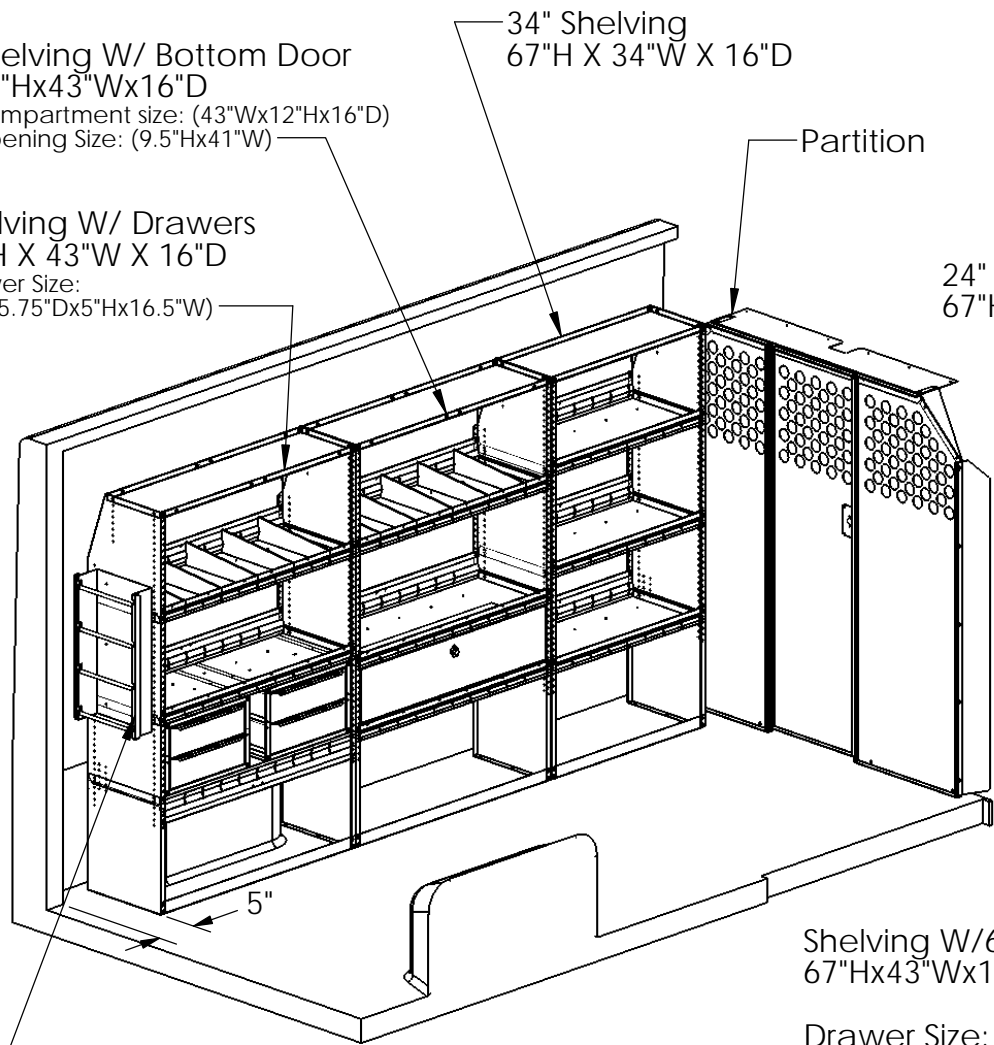
FOR 159" WHEEL BASE RAM PROMASTER

REV	DWG	DATE	CHANGE DESCRIPTION
1	KB	10/21/13	CREATED PRINT

THE INFORMATION CONTAINED IN THIS DRAWING IS THE SOLE PROPERTY OF HARBOR TRUCK BODIES. ANY REPRODUCTION IN PART OR WHOLE WITHOUT THE WRITTEN PERMISSION OF HARBOR TRUCK BODIES IS PROHIBITED.

D
C
B
A

D
C
B
A



UNLESS OTHERWISE SPECIFIED
DIMENSIONS ARE IN INCHES
TOLERANCES ARE:
DECIMALS ANGLES FRACTIONS
X = +/- .1 X = +/- 1° +/- 1/32"
.XX = +/- .03

SIZE	DESCRIPTION
A	Harbor Van Ram Promaster Electrical Contractor 159" WB
Installed Weight	651 lbs
FINISH	Epoxy Prime
DRAWN	KB
DATE	10/21/13

PACKAGE PART NUMBERS:
HVREC-159WB-ND
INSTALLED - 7.6 HRS

8 7 6 5 4 3 2 1

HARBOR TRUCK BODIES

ELECTRICAL HIGH PACKAGE

FOR 159" WHEEL BASE RAM PROMASTER

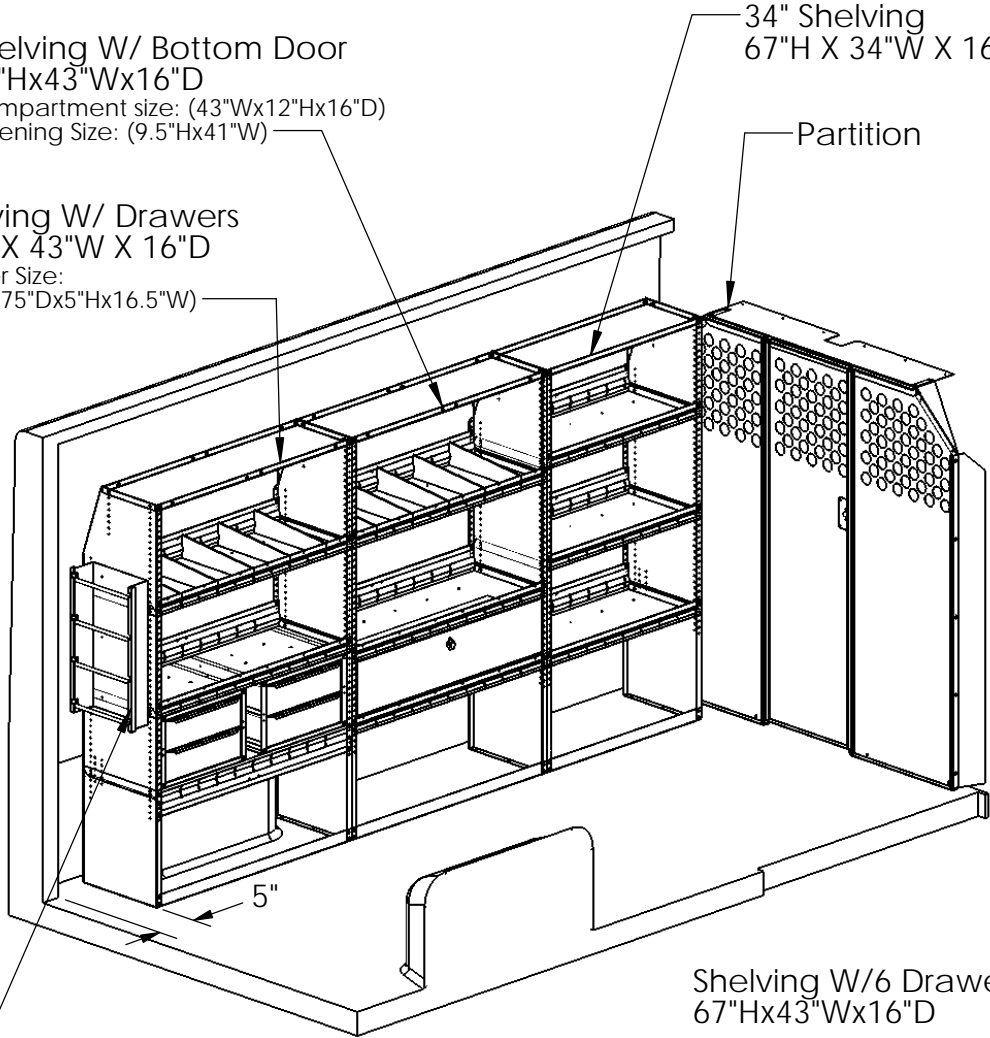
REV	DWG	DATE	CHANGE DESCRIPTION
1	KB	10/21/13	CREATED PRINT

Shelving W/ Bottom Door
67"Hx43"Wx16"D
Compartment size: (43"Wx12"Hx16"D)
Opening Size: (9.5"Hx41"W)

34" Shelving
67"H X 34"W X 16"D

Partition

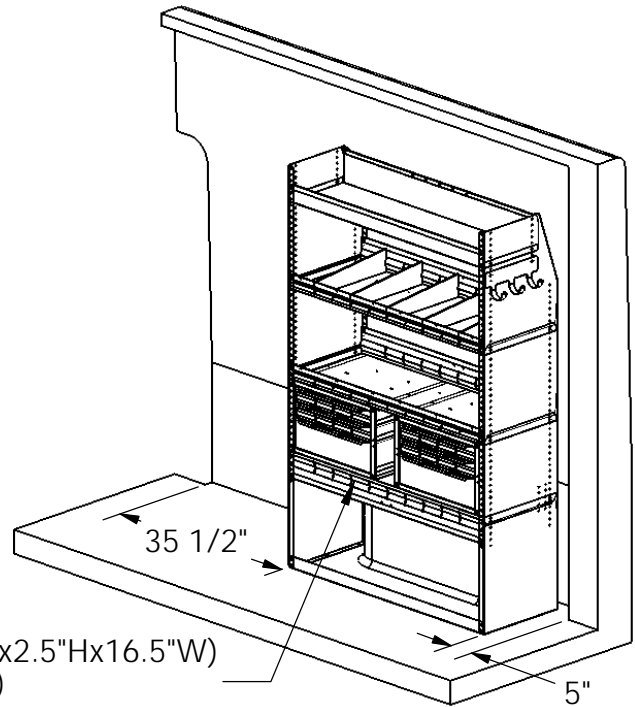
Shelving W/ Drawers
67"H X 43"W X 16"D
Drawer Size:
4X (15.75"Dx5"Hx16.5"W)



Wire Spool Rack
Holds 4 (6.5" DIA) Spools

Shelving W/6 Drawers
67"Hx43"Wx16"D

Drawer Size: 4X (15.75"Dx2.5"Hx16.5"W)
2x (15.75"Dx5"Hx16.5"W)



THE INFORMATION CONTAINED IN THIS DRAWING IS THE SOLE PROPERTY OF HARBOR TRUCK BODIES. ANY REPRODUCTION IN PART OR WHOLE WITHOUT THE WRITTEN PERMISSION OF HARBOR TRUCK BODIES IS PROHIBITED.

UNLESS OTHERWISE SPECIFIED
DIMENSIONS ARE IN INCHES
TOLERANCES ARE:
DECIMALS ANGLES FRACTIONS
X = +/- .1 X = +/- 1° +/- 1/32"
XX = +/- .03

SIZE	DESCRIPTION	FINISH	DRAWN	DATE
A	Harbor Van Ram Promaster Electrical Contractor 159" WB	Epoxy Prime	KB	10/21/13
Installed Weight	651 lbs			

PACKAGE PART NUMBERS:
HVREC-ECO-ND
INSTALLED - 6.6 HRS

D
C
B
A

D
C
B
A

8 7 6 5 4 3 2 1

8 7 6 5 4 3 2 1

HARBOR TRUCK BODIES

ELECTRICAL HIGH PACKAGE

FOR 159" WHEEL BASE RAM PROMASTER

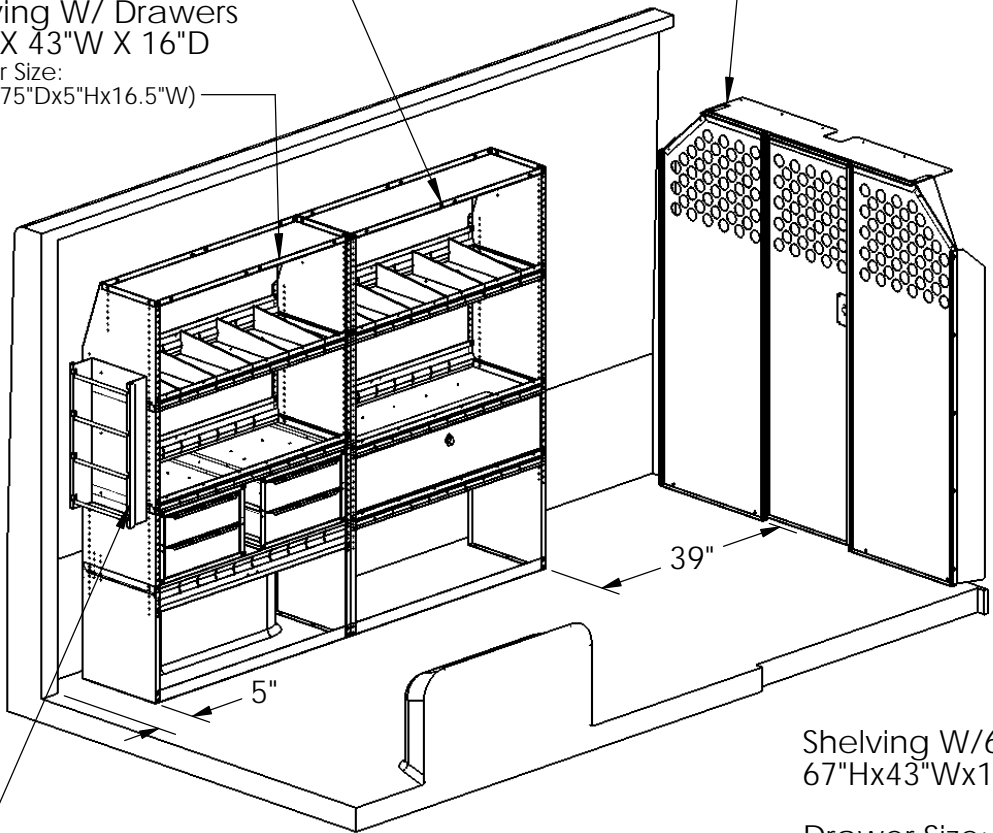
REV	DWG	DATE	CHANGE DESCRIPTION
1	KB	10/21/13	CREATED PRINT

THE INFORMATION CONTAINED IN THIS DRAWING IS THE SOLE PROPERTY OF HARBOR TRUCK BODIES. ANY REPRODUCTION IN PART OR WHOLE WITHOUT THE WRITTEN PERMISSION OF HARBOR TRUCK BODIES IS PROHIBITED.

Shelving W/ Bottom Door
67"Hx43"Wx16"D
Compartment size: (43"Wx12"Hx16"D)
Opening Size: (9.5"Hx41"W)

Shelving W/ Drawers
67"H X 43"W X 16"D
Drawer Size:
4X (15.75"Dx5"Hx16.5"W)

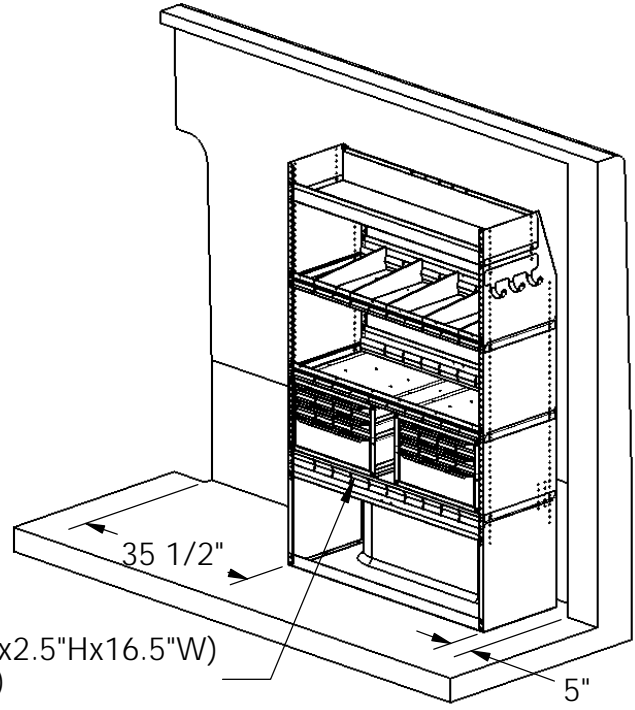
Partition



Wire Spool Rack
Holds 4 (6.5" DIA) Spools

Shelving W/6 Drawers
67"Hx43"Wx16"D

Drawer Size: 4X (15.75"Dx2.5"Hx16.5"W)
2x (15.75"Dx5"Hx16.5"W)



UNLESS OTHERWISE SPECIFIED
DIMENSIONS ARE IN INCHES
TOLERANCES ARE:
DECIMALS ANGLES FRACTIONS
X = +/- .1 X = +/- 1° +/- 1/32"
.XX = +/- .03

SIZE	DESCRIPTION	FINISH	DRAWN	DATE
A	Harbor Van Ram Promaster Electrical Contractor 159" WB	Epoxy Prime	KB	10/21/13
Installed Weight	651 lbs			

PACKAGE PART NUMBERS:
HVREC-H-ND
INSTALLED - 5.75 HRS