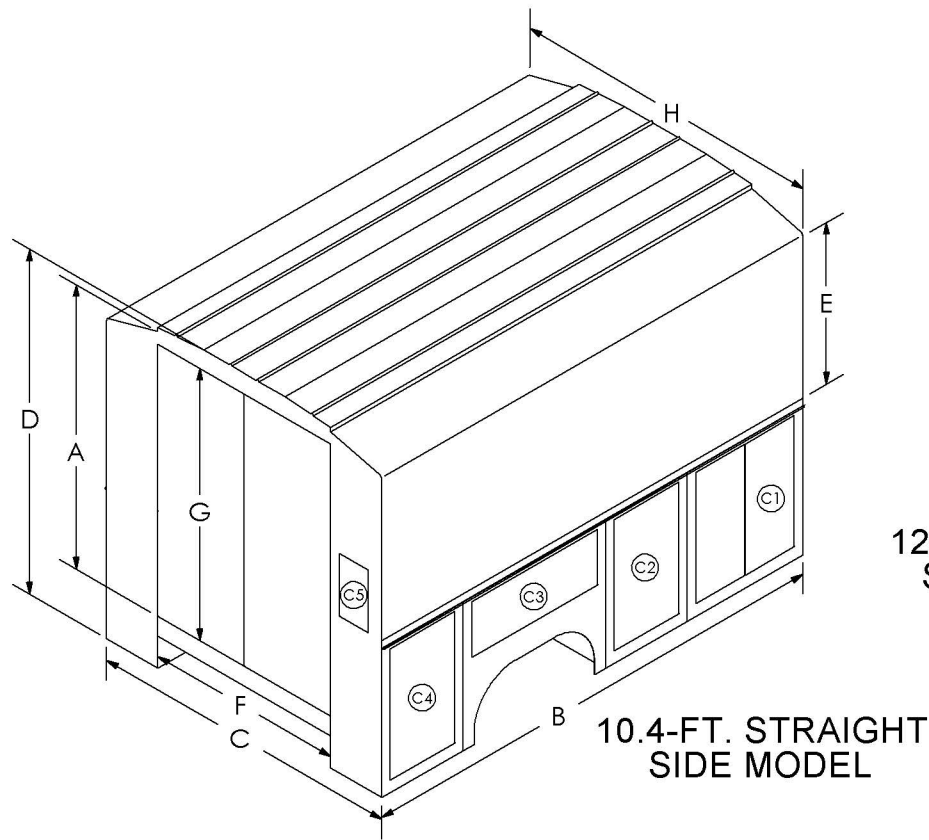


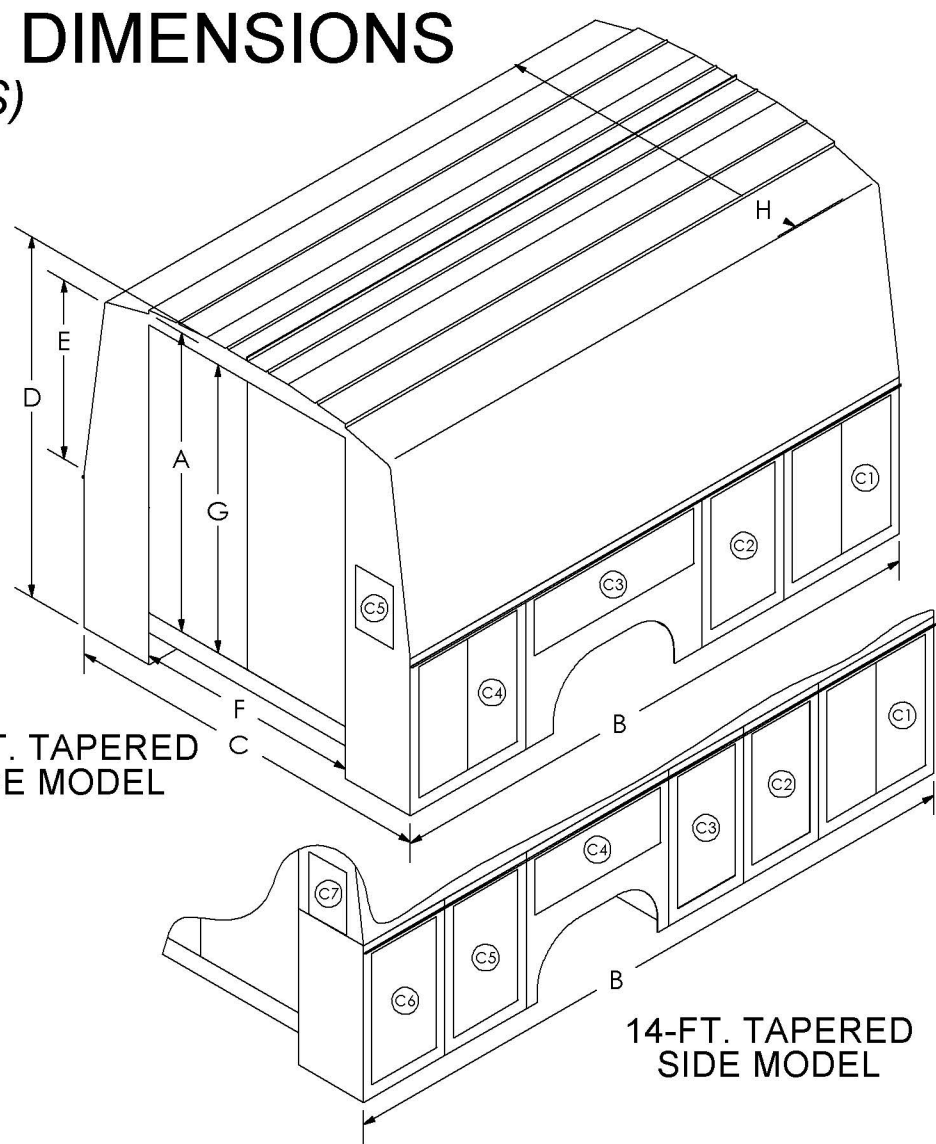
# CHEVY/GMC WORKMASTER DIMENSIONS

(FOR CUTAWAY VANS)

Last Updated: 2-5-15



12-FT. TAPERED SIDE MODEL



WORKMASTER GENERAL DIMENSIONS (INCHES)

WORKMASTER BODIES	HEIGHT	SIDE PANELS	WORKMASTER GENERAL DIMENSIONS (INCHES)							
			A INTERIOR CLEAR HEIGHT	B OVERALL LENGTH	C OVERALL WIDTH	D OVERALL HEIGHT	E HEIGHT ABOVE BODY	F DOOR CLEAR WIDTH	G DOOR CLEAR HEIGHT	H WIDTH ABOVE
HTWMC124-15-TRSS57	(LOW-PRO.)	(STRAIGHT)	57	124	81	75	35	51	53	81
HTWMC124-15-TRSS68	(MID-PRO.)	(STRAIGHT)	68	124	81	86	46	51	64	81
HTWMC124-15-TRSS74	(HIGH-PRO.)	(STRAIGHT)	74	124	81	92	52	51	70	81
HTWMC124-15-TRTS74	(HIGH-PRO.)	(TAPERED)	74	124	81	92	52	51	70	69
HTWMC144-19-TRSS57	(LOW-PRO.)	(STRAIGHT)	57	144	96	75	35	58	53	96
HTWMC144-19-TRTS57	(LOW-PRO.)	(TAPERED)	57	144	96	75	35	58	53	84
HTWMC144-19-TRSS68	(MID-PRO.)	(STRAIGHT)	68	144	96	86	46	58	64	96
HTWMC144-19-TRTS68	(MID-PRO.)	(TAPERED)	68	144	96	86	46	58	64	84
HTWMC144-19-TRSS74	(HIGH-PRO.)	(STRAIGHT)	74	144	96	92	52	58	70	96
HTWMC144-19-TRTS74	(HIGH-PRO.)	(TAPERED)	74	144	96	92	52	58	70	84
HTWMC168-19-SS	(HIGH-PRO.)	(STRAIGHT)	74	168	96	92	52	58	70	96
HTWMC168-19	(HIGH-PRO.)	(TAPERED)	74	168	96	92	52	58	70	84

WORKMASTER DOOR COMPARTMENT CLEAR OPENING DIMENSIONS (WxH, INCHES)

WORKMASTER BODIES	HEIGHT	SIDE PANELS	WORKMASTER DOOR COMPARTMENT CLEAR OPENING DIMENSIONS (WxH, INCHES)						
			C1	C2	C3	C4	C5	C6	C7
HTWMC124-15	(ALL)	(STRAIGHT)	29 X 33 1/2	19 X 33 1/2	37 X 14 1/4	19 X 33 1/2	10 1/2 X 16	N/A	N/A
	(HIGH-PRO.)	(TAPERED)	29 X 33 1/2	19 X 33 1/2	37 X 14 1/4	19 X 33 1/2	8 1/4 X 15	N/A	N/A
HTWMC144-19	(ALL)	(ALL)	29 X 33 1/2	19 X 33 1/2	47 X 14 1/4	29 X 33 1/2	10 1/2 X 16	N/A	N/A
HTWMC168-19	(HIGH-PRO.)	(ALL)	29 X 33 1/2	17 X 33 1/2	17 X 33 1/2	37 X 14 1/4	19 X 33 1/2	19 X 33 1/2	10 1/2 X 16