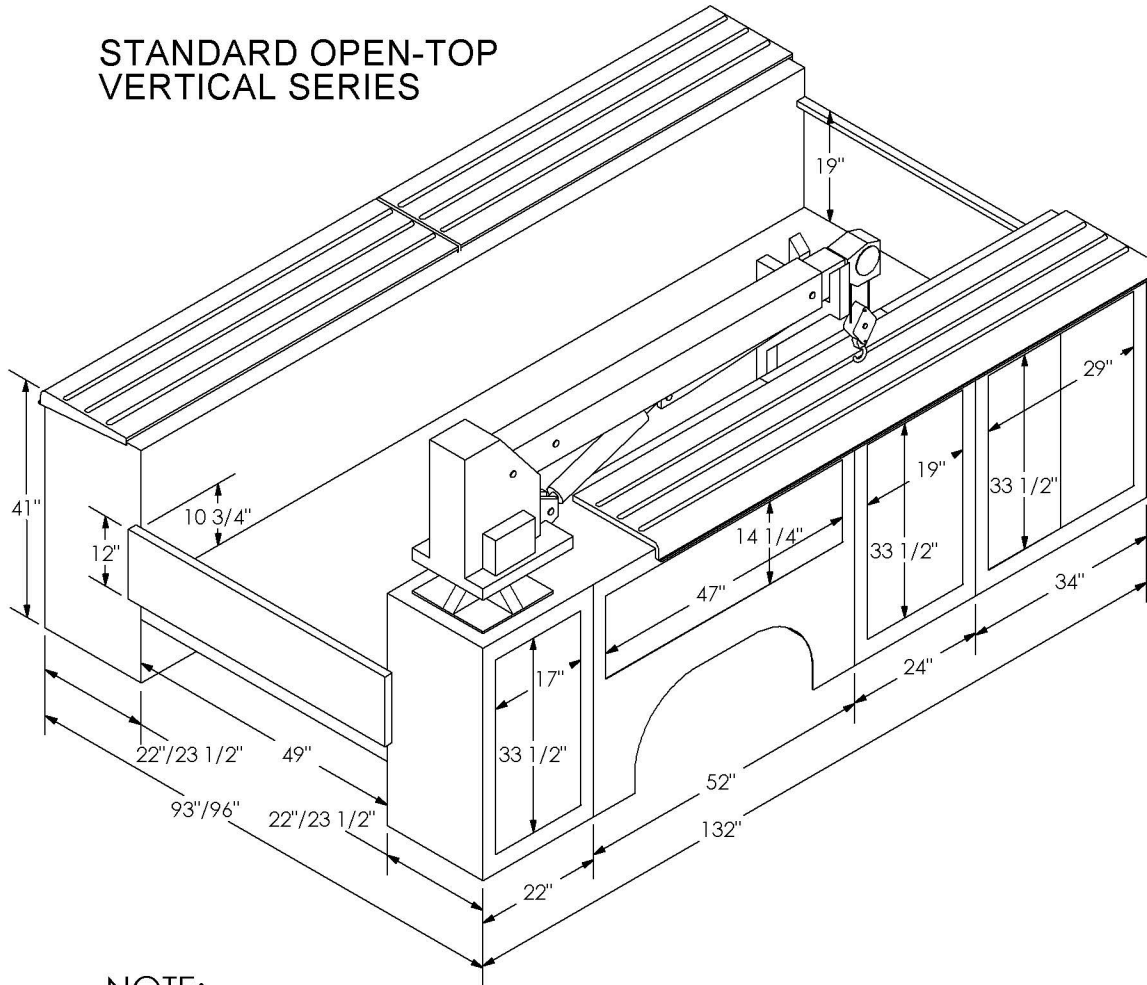


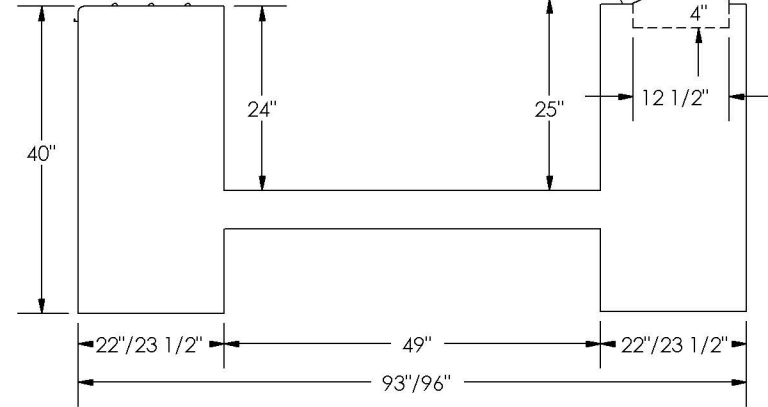
CHEVY/GMC 11-FT CRANEMASTER DIMENSIONS

Last Update: 02/05/2015

STANDARD OPEN-TOP VERTICAL SERIES



CLOSED-TOP MODEL



NOTE:

- 1) DOOR COMPARTMENT DIMENSIONS ARE THE CLEAR DOOR OPENING.
- 2) DIMENSIONS WITH FORWARD SLASH ARE DRW / DRW GTY WIDE AXLE.
- 3) BODY WITH REAR PLATFORM OPTION COMES STANDARD WITH A DROP-IN TAILGATE