

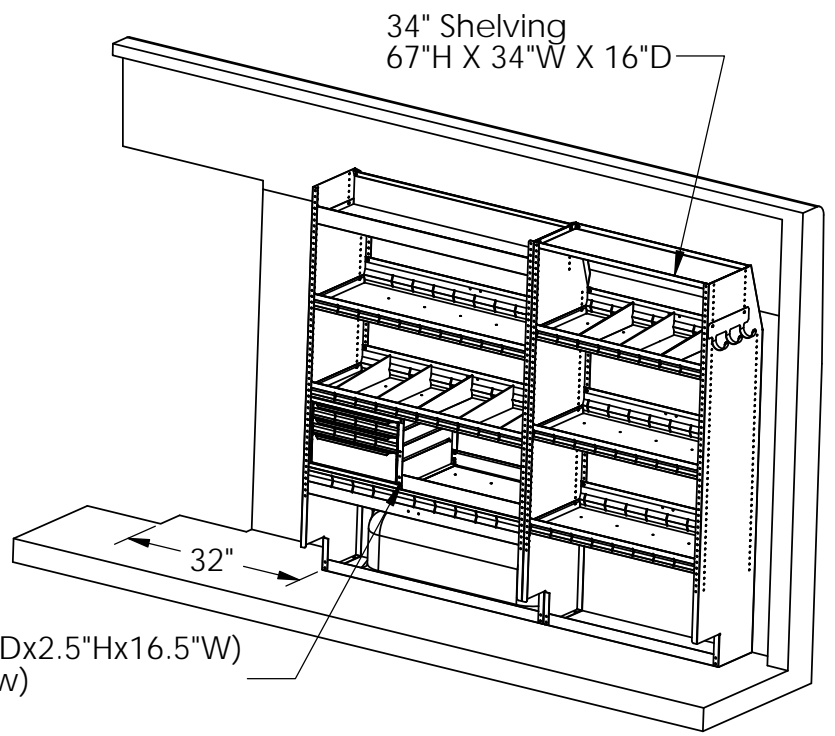
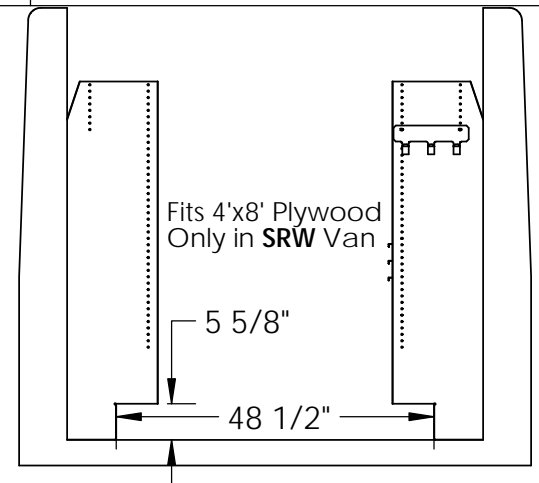
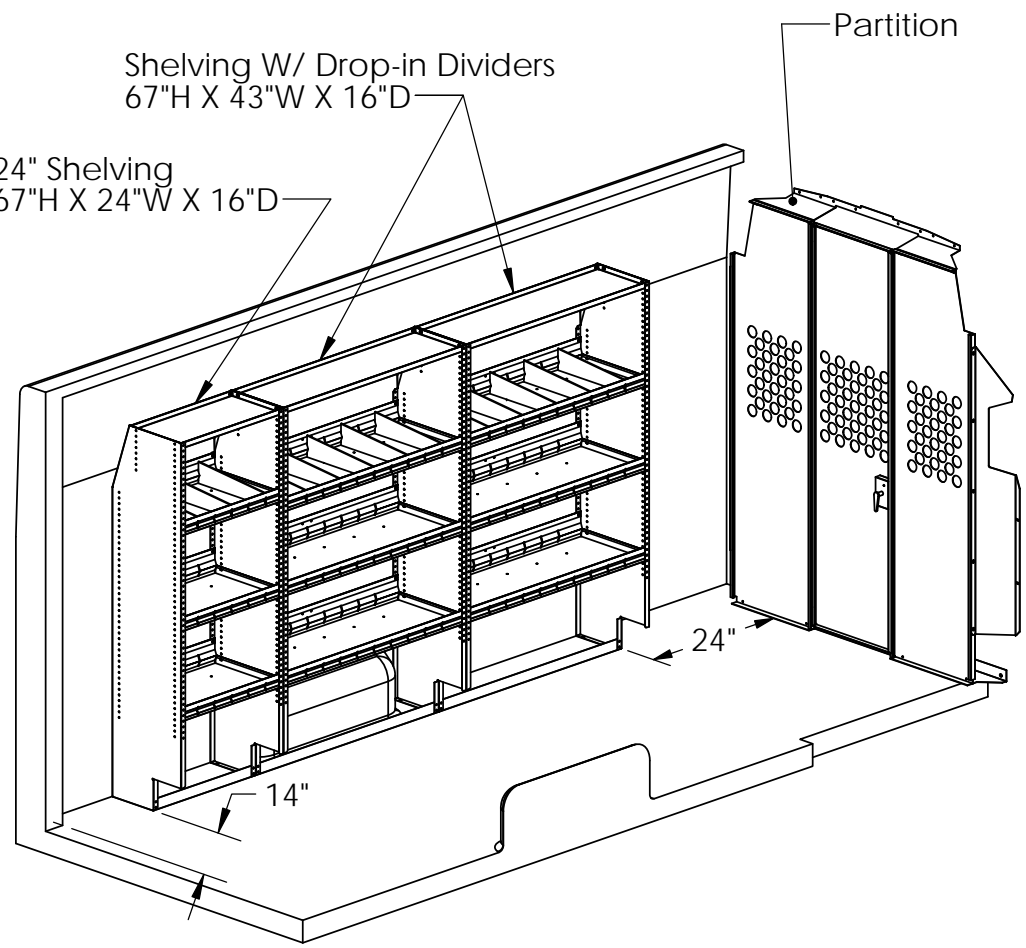
THE INFORMATION CONTAINED IN THIS DRAWING IS THE SOLE PROPERTY OF HARBOR TRUCK BODIES. ANY REPRODUCTION IN PART OR WHOLE WITHOUT THE WRITTEN PERMISSION OF HARBOR TRUCK BODIES IS PROHIBITED.

HARBOR TRUCK BODIES

PLUS PACKAGE & PARTITION

FOR 148" EXTENDED WHEEL BASE FORD TRANSIT

REV	DWG	DATE	CHANGE DESCRIPTION	P/N: TBD
1	KB	05/26/15	CREATED PRINT	
2	KB	02/08/16	ADDED RETAINER LIP & NEW DRAWER ASSY.	



Shelving W/3 Drawers
67"Hx43"Wx16"D

Drawer Size: 2X (15.75"Dx2.5"Hx16.5"W)
1x (15.75"Dx5"Hx16.5"w)

Harbor Van Transit Plus Package

PACKAGE PART NUMBERS:
HVTSD-H-148E
INSTALLED

UNLESS OTHERWISE SPECIFIED
DIMENSIONS ARE IN INCHES
TOLERANCES ARE:
DECIMALS ANGLES FRACTIONS
X = +/- .1 X = +/- 1° +/- 1/32"
.XX = +/- .03

SIZE	DESCRIPTION	FINISH	DRAWN	DATE
A	Interior Weight 579 lbs	Epoxy Prime	KB	03/23/16

8 7 6 5 4 3 2 1

8 7 6 5 4 3 2 1

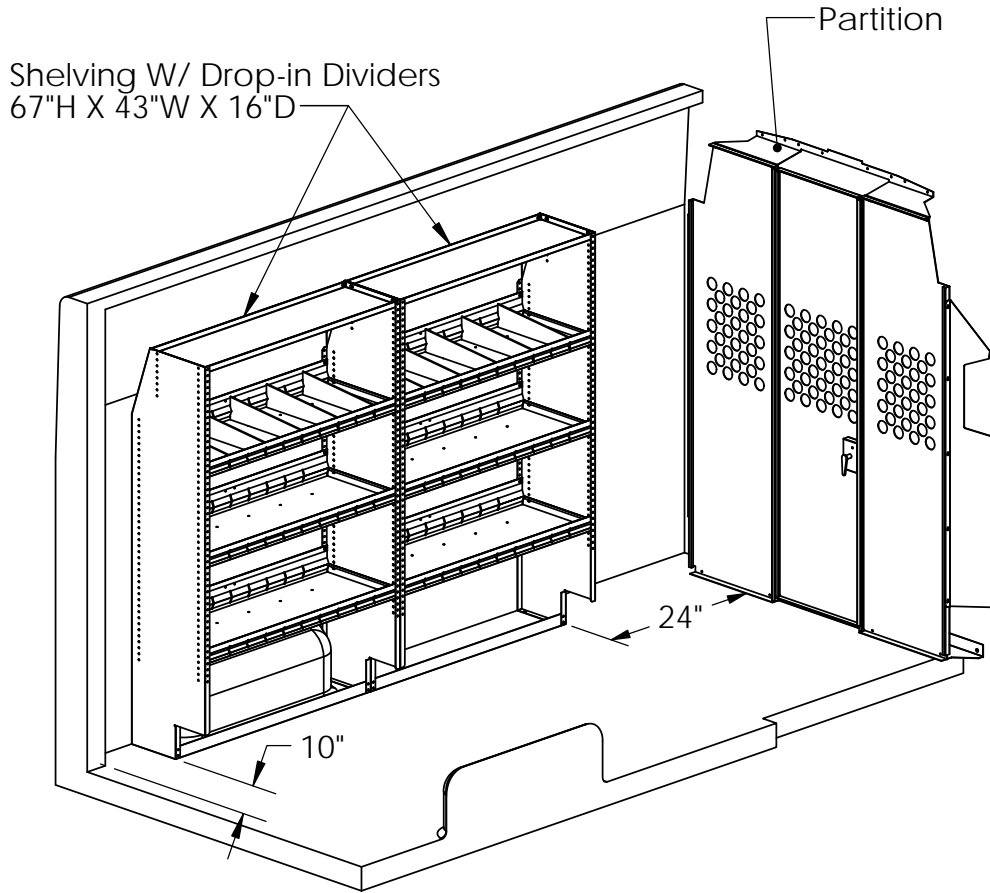
HARBOR TRUCK BODIES

PLUS PACKAGE & PARTITION

FOR 148" WHEEL BASE FORD TRANSIT WITH HIGH ROOF

REV	DWG	DATE	CHANGE DESCRIPTION	P/N: TBD
1	KB	05/26/15	CREATED PRINT	
2	KB	02/08/16	ADDED RETAINER LIP & NEW DRAWER ASSY.	

THE INFORMATION CONTAINED IN THIS DRAWING IS THE SOLE PROPERTY OF HARBOR TRUCK BODIES. ANY REPRODUCTION IN PART OR WHOLE WITHOUT THE WRITTEN PERMISSION OF HARBOR TRUCK BODIES IS PROHIBITED.

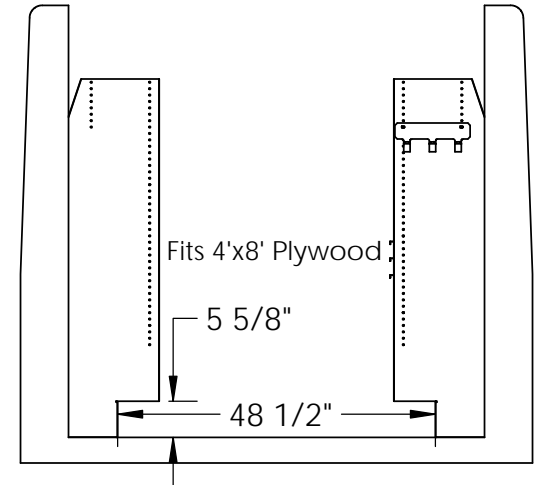


Shelving W/ Drop-in Dividers
67"H X 43"W X 16"D

Partition

24"

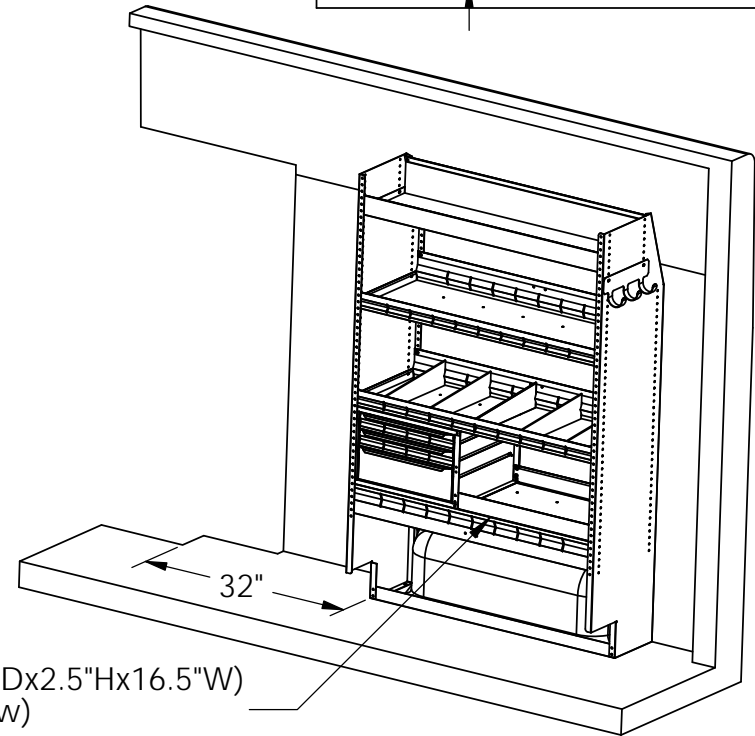
10"



Fits 4'x8' Plywood

5 5/8"

48 1/2"



Shelving W/3 Drawers
67"Hx43"Wx16"D

Drawer Size: 2X (15.75"Dx2.5"Hx16.5"W)
1x (15.75"Dx5"Hx16.5"W)

32"



UNLESS OTHERWISE SPECIFIED
DIMENSIONS ARE IN INCHES
TOLERANCES ARE:
DECIMALS ANGLES FRACTIONS
X = +/- .1 X = +/- 1° +/- 1/32"
.XX = +/- .03

SIZE	DESCRIPTION	FINISH	DRAWN	DATE
A	Harbor Van Transit Plus Package	Epoxy Prime	KB	03/23/16
Interior Weight	440 lbs			

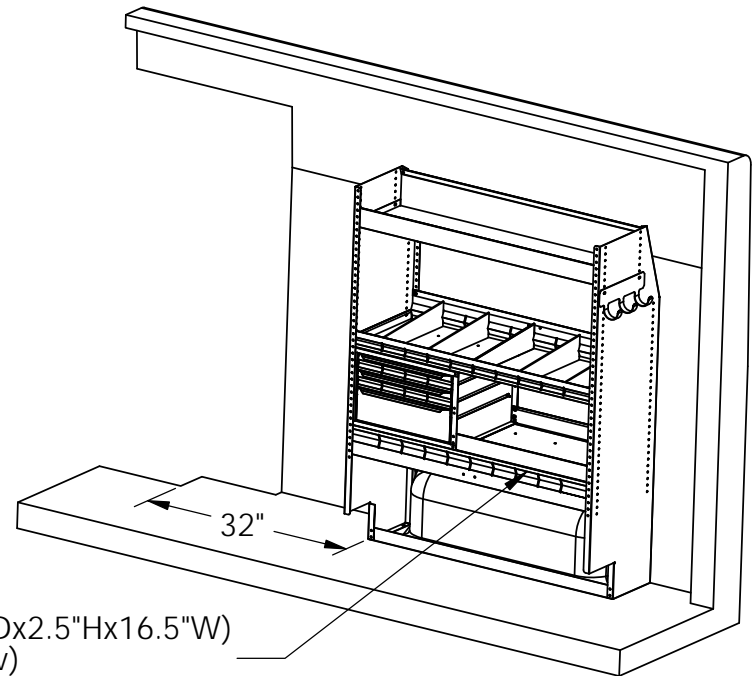
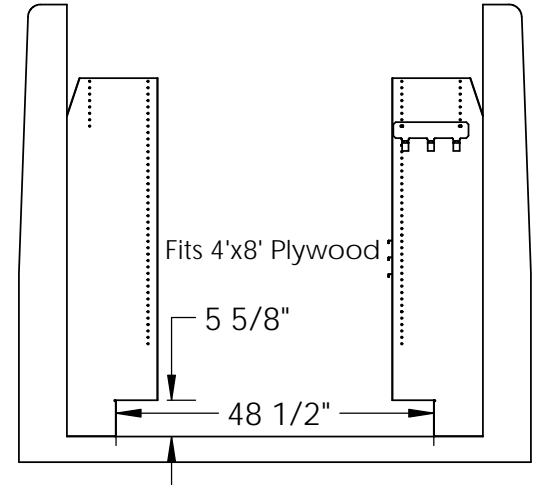
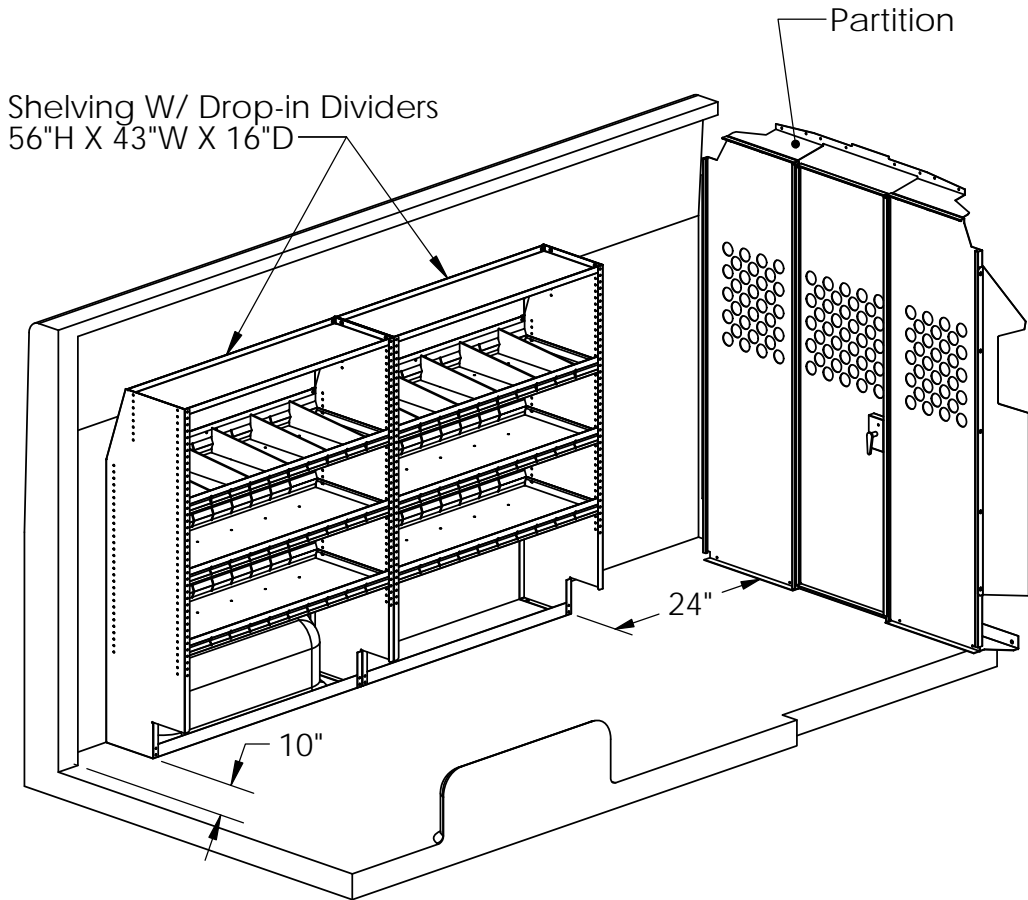
PACKAGE PART NUMBERS:
HVTSD-H
INSTALLED

HARBOR TRUCK BODIES

PLUS PACKAGE & PARTITION

FOR 148" WHEEL BASE FORD TRANSIT WITH MEDIUM ROOF

REV	DWG	DATE	CHANGE DESCRIPTION	P/N: TBD
1	KB	05/26/15	CREATED PRINT	
2	KB	02/08/16	ADDED RETAINER LIP & NEW DRAWER ASSY.	



THE INFORMATION CONTAINED IN THIS DRAWING IS THE SOLE PROPERTY OF HARBOR TRUCK BODIES ANY REPRODUCTION IN PART OR WHOLE WITHOUT THE WRITTEN PERMISSION OF HARBOR TRUCK BODIES IS PROHIBITED.



UNLESS OTHERWISE SPECIFIED
DIMENSIONS ARE IN INCHES
TOLERANCES ARE:
DECIMALS ANGLES FRACTIONS
X = +/- .1 X = +/- 1° +/- 1/32"
.XX = +/- .03

SIZE	DESCRIPTION	FINISH	DRAWN	DATE
A	Harbor Van Transit Plus Package	Epoxy Prime	KB	03/23/16
Interior Weight	406 lbs			

PACKAGE PART NUMBERS:
HVTSD-M
INSTALLED

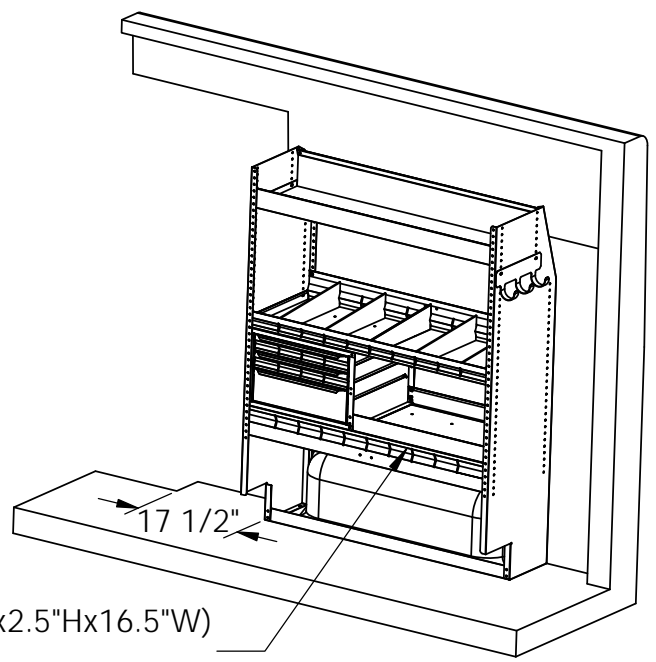
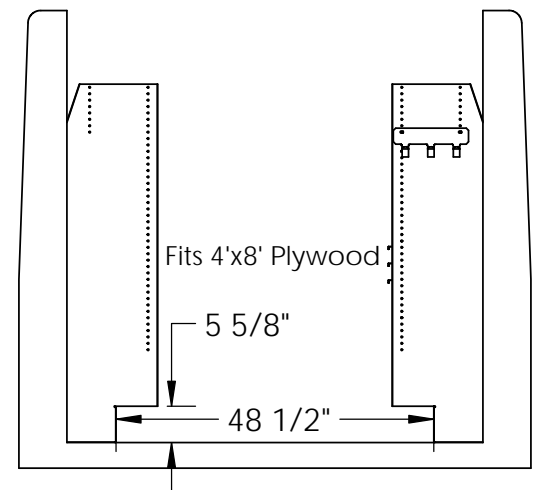
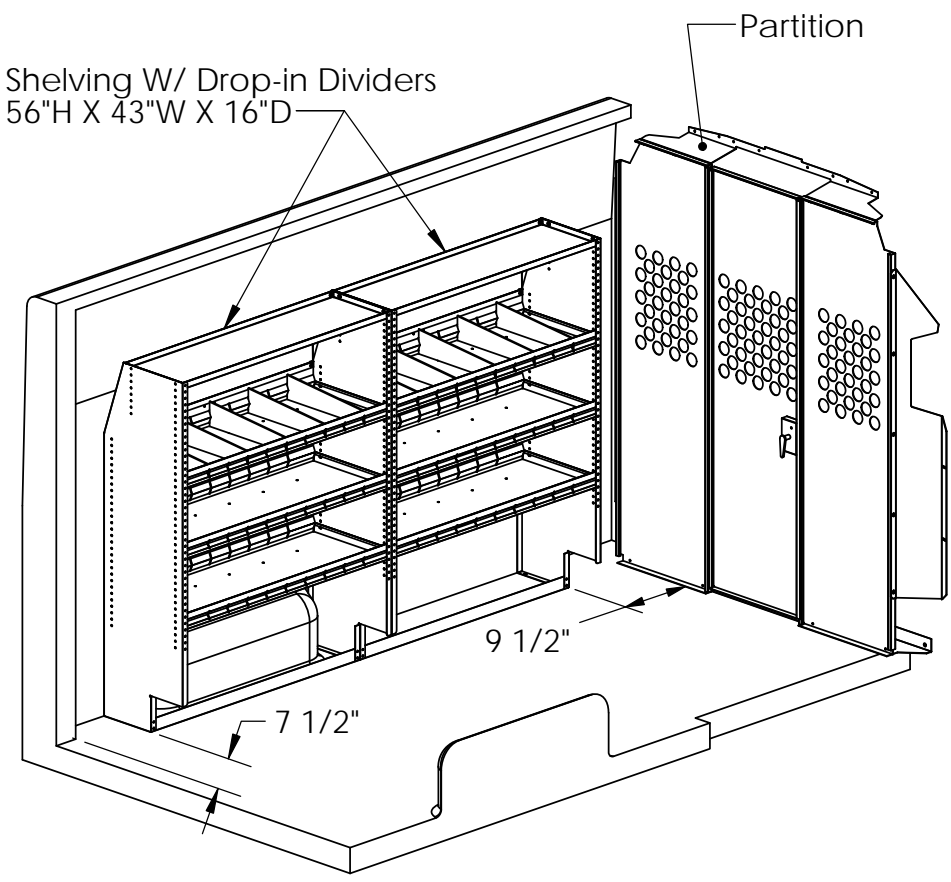
HARBOR TRUCK BODIES

PLUS PACKAGE & PARTITION

FOR 130" WHEEL BASE FORD TRANSIT WITH MEDIUM ROOF

REV	DWG	DATE	CHANGE DESCRIPTION	P/N: TBD
1	KB	05/26/15	CREATED PRINT	
2	KB	02/08/16	ADDED RETAINER LIP & NEW DRAWER ASSY.	

THE INFORMATION CONTAINED IN THIS DRAWING IS THE SOLE PROPERTY OF HARBOR TRUCK BODIES. ANY REPRODUCTION IN PART OR WHOLE WITHOUT THE WRITTEN PERMISSION OF HARBOR TRUCK BODIES IS PROHIBITED.



Shelving W/3 Drawers
56"Hx43"Wx16"D

Drawer Size: 2X (15.75"Dx2.5"Hx16.5"W)
1x (15.75"Dx5"Hx16.5"W)



UNLESS OTHERWISE SPECIFIED
DIMENSIONS ARE IN INCHES
TOLERANCES ARE:
DECIMALS ANGLES FRACTIONS
X = +/- .1 X = +/- 1° +/- 1/32"
.XX = +/- .03

SIZE	DESCRIPTION	FINISH	DRAWN	DATE
A	Harbor Van Transit Plus Package	Epoxy Prime	KB	03/23/16
Interior Weight	406 lbs			

PACKAGE PART NUMBERS:
HVTSD-M
INSTALLED

8 7 6 5 4 3 2 1

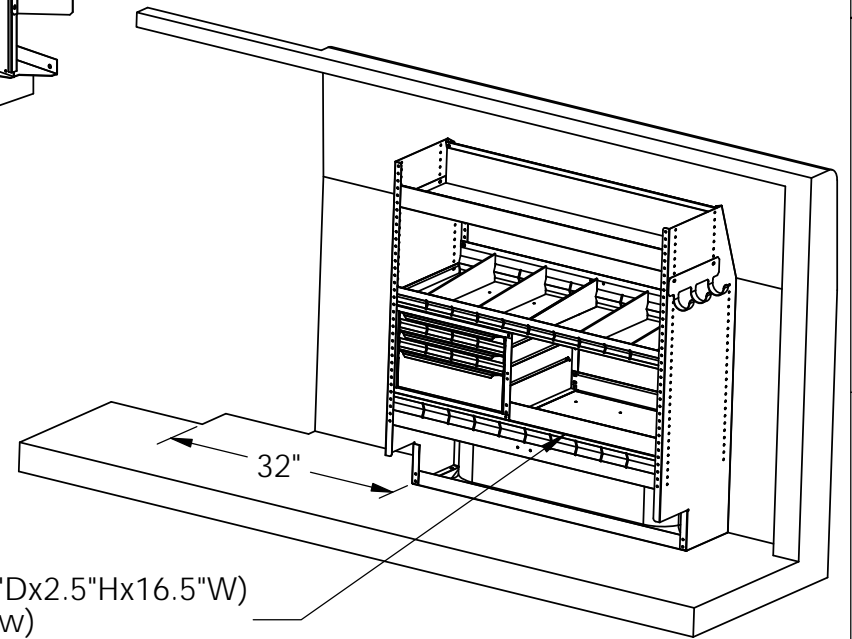
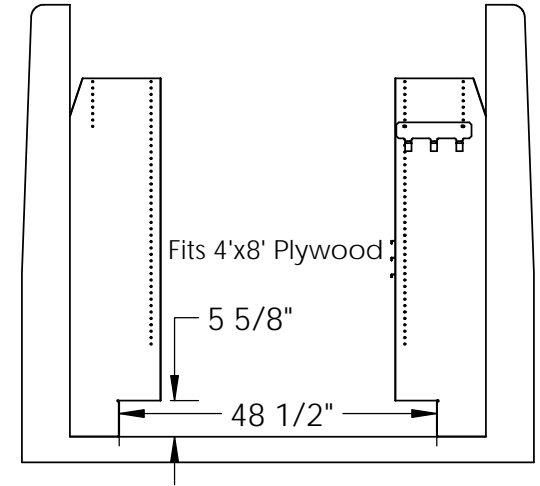
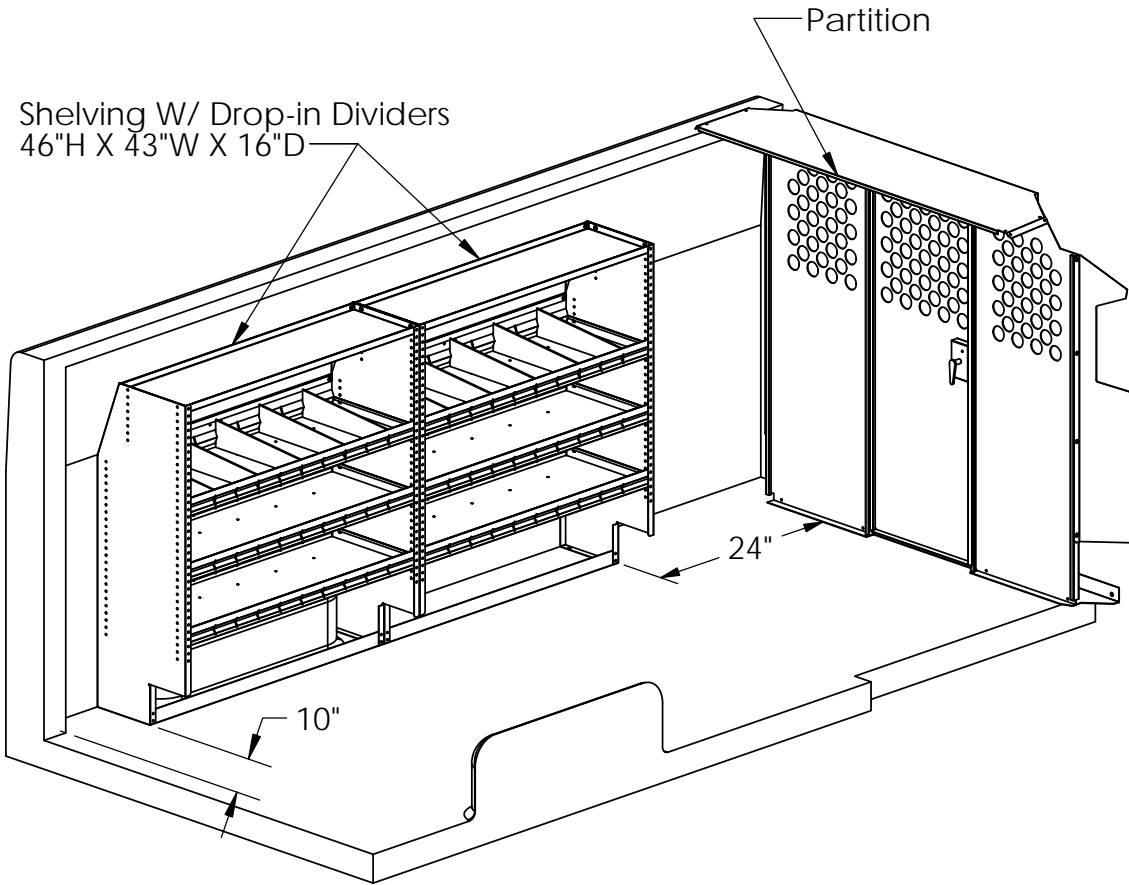
HARBOR TRUCK BODIES

PLUS PACKAGE & PARTITION

FOR 148" WHEEL BASE FORD TRANSIT WITH LOW ROOF

REV	DWG	DATE	CHANGE DESCRIPTION	P/N: TBD
1	KB	05/26/15	CREATED PRINT	
2	KB	02/08/16	ADDED RETAINER LIP & NEW DRAWER ASSY.	

THE INFORMATION CONTAINED IN THIS DRAWING IS THE SOLE PROPERTY OF HARBOR TRUCK BODIES ANY REPRODUCTION IN PART OR WHOLE WITHOUT THE WRITTEN PERMISSION OF HARBOR TRUCK BODIES IS PROHIBITED.



UNLESS OTHERWISE SPECIFIED
DIMENSIONS ARE IN INCHES
TOLERANCES ARE:
DECIMALS ANGLES FRACTIONS
X = +/- .1 X = +/- 1° +/- 1/32"
XX = +/- .03

SIZE	DESCRIPTION	Harbor Van Transit Plus Package	
A	Interior Weight	390 lbs	FINISH Epoxy Prime
			DRAWN KB
			DATE 03/23/16

PACKAGE PART NUMBERS:
HVTSD-L
INSTALLED

8 7 6 5 4 3 2 1

D
C
B
A

D
C
B
A

8 7 6 5 4 3 2 1

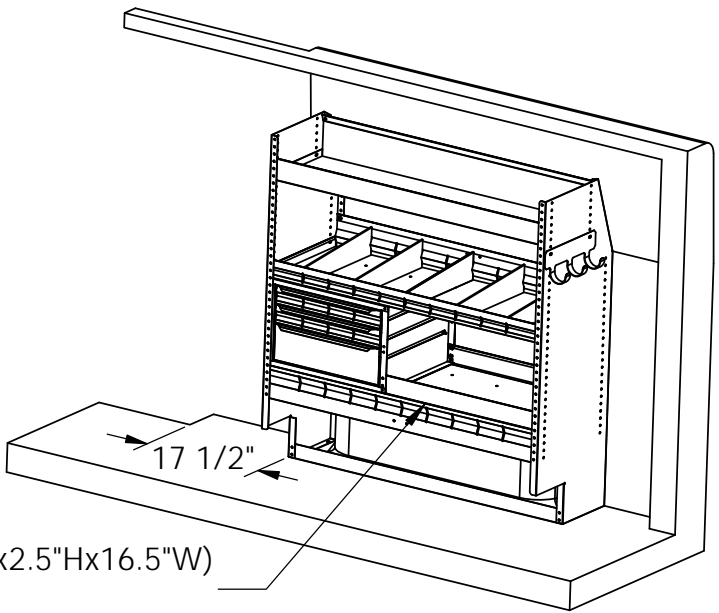
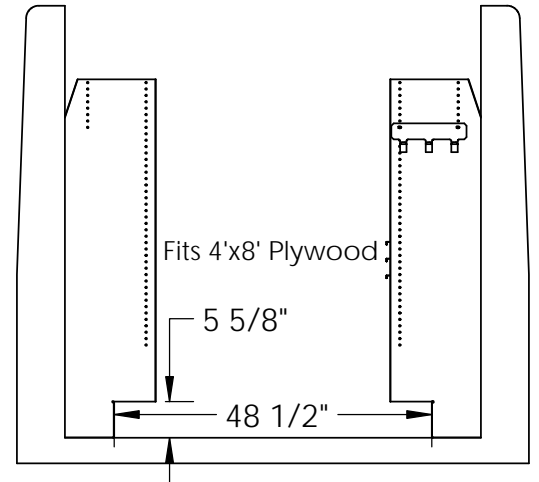
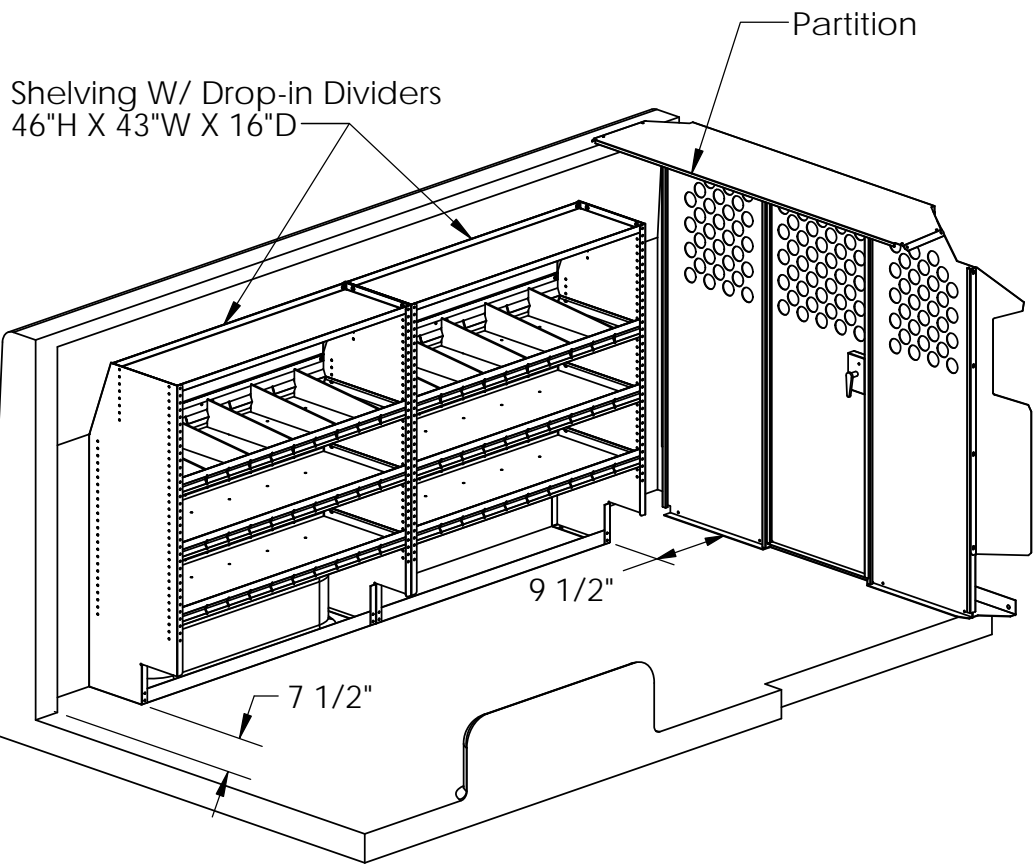
HARBOR TRUCK BODIES

PLUS PACKAGE & PARTITION

FOR 130" WHEEL BASE FORD TRANSIT WITH LOW ROOF

REV	DWG	DATE	CHANGE DESCRIPTION	P/N: TBD
1	KB	05/26/15	CREATED PRINT	
2	KB	02/08/16	ADDED RETAINER LIP & NEW DRAWER ASSY.	

THE INFORMATION CONTAINED IN THIS DRAWING IS THE SOLE PROPERTY OF HARBOR TRUCK BODIES ANY REPRODUCTION IN PART OR WHOLE WITHOUT THE WRITTEN PERMISSION OF HARBOR TRUCK BODIES IS PROHIBITED.



UNLESS OTHERWISE SPECIFIED
DIMENSIONS ARE IN INCHES
TOLERANCES ARE:
DECIMALS ANGLES FRACTIONS
X = +/- .1 X = +/- 1° +/- 1/32"
.XX = +/- .03

SIZE	DESCRIPTION	Harbor Van Transit Plus Package	
A	Interior Weight	390 lbs	FINISH Epoxy Prime
			DRAWN KB
			DATE 03/23/16

PACKAGE PART NUMBERS:
HVTSD-L
INSTALLED

8 7 6 5 4 3 2 1

D
C
B
A

D
C
B
A

8 7 6 5 4 3 2 1