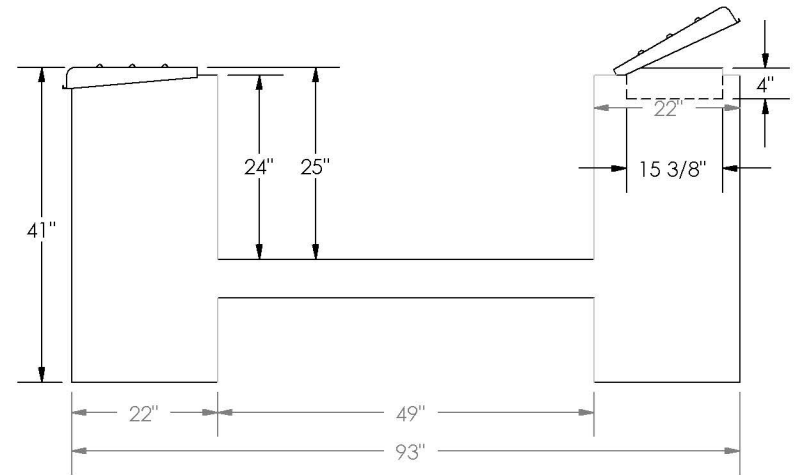
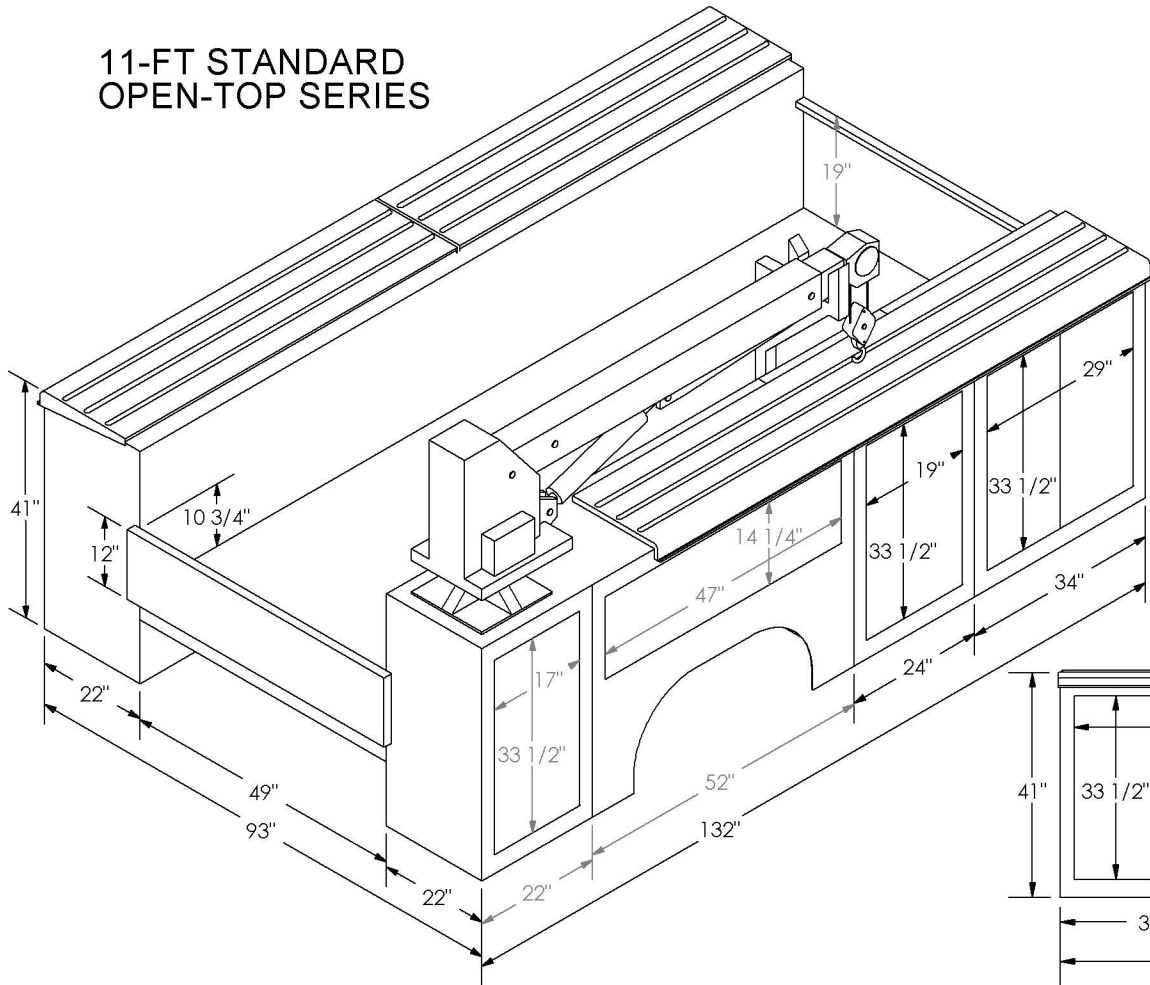


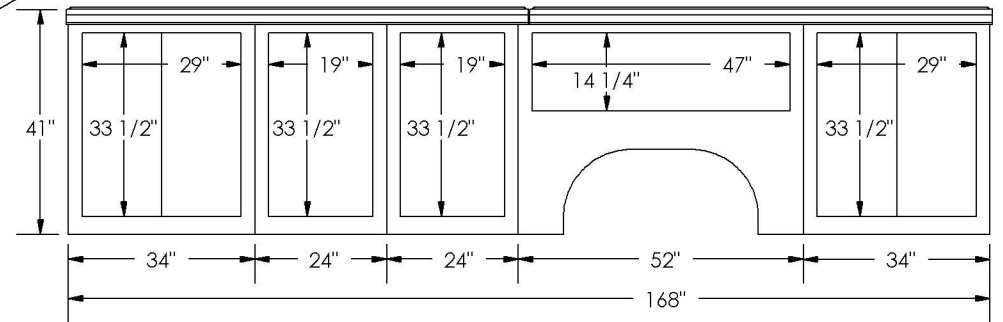
# RAM 11-FT & 14-FT CRANEMASTER DIMENSIONS

Last Update: 09/01/2010

## 11-FT STANDARD OPEN-TOP SERIES



## 14-FT STANDARD OPEN-TOP SERIES



### NOTE:

- 1) DOOR COMPARTMENT DIMENSIONS ARE THE CLEAR DOOR OPENING.
- 2) ALL DIMENSIONS SHOWN ARE STANDARD.