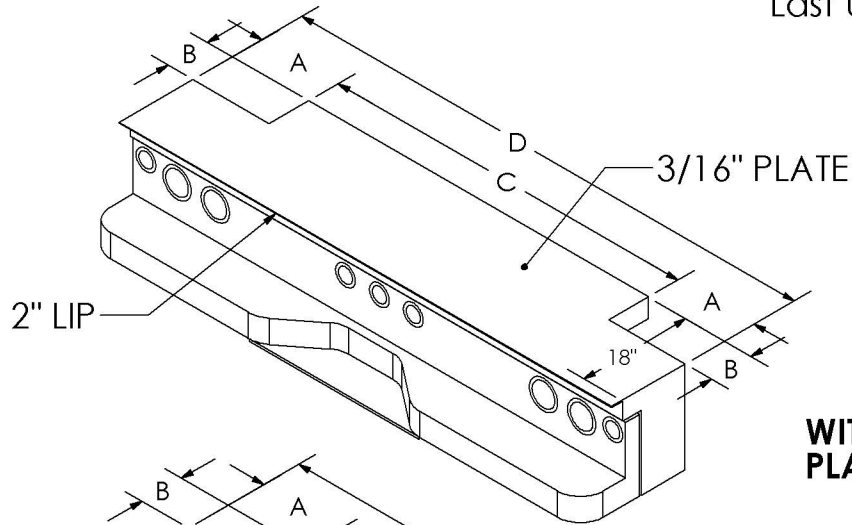


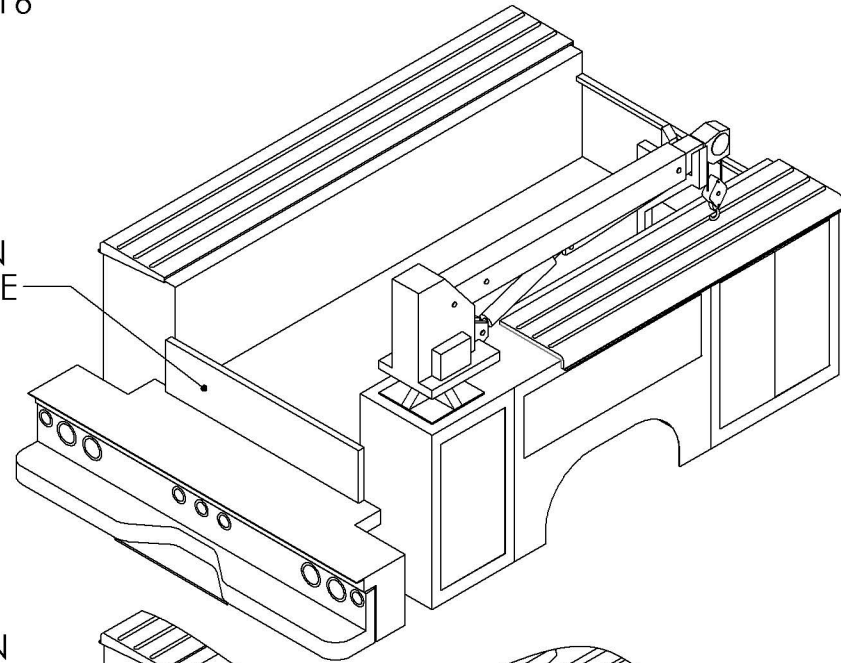
CHEVY/GMC CRANEMASTER OPTIONAL REAR PLATFORMS

Last Update: 09/23/16

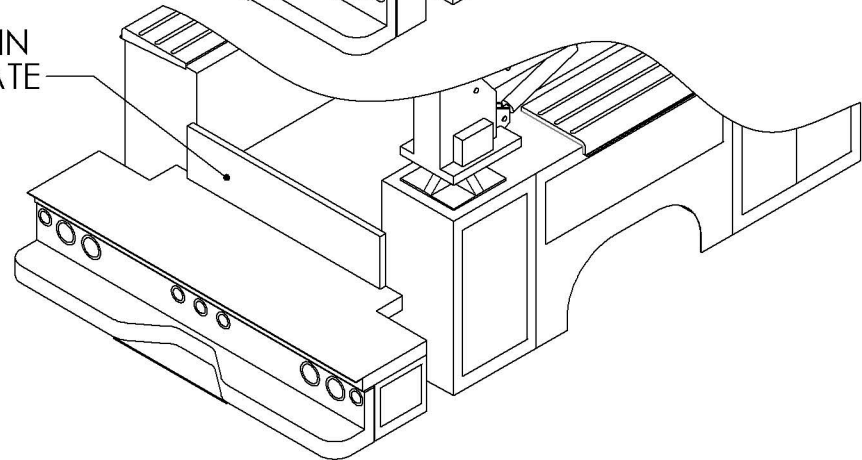


WITH 18" REAR PLATFORM

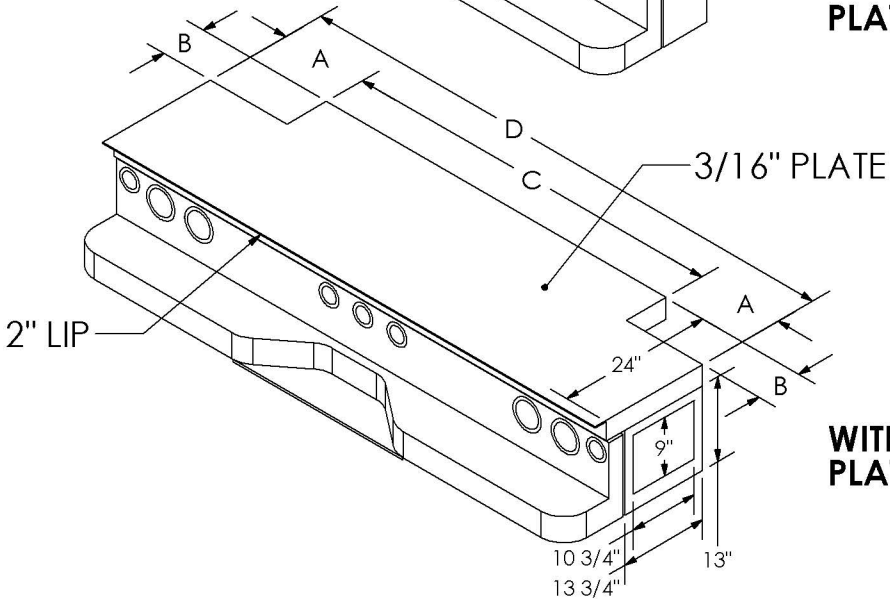
DROP-IN TAILGATE



DROP-IN TAILGATE



WITH 24" REAR PLATFORM



	A	B	C	D
F18(24)X93-NOTCH	16 1/2	7	60	93
F18(24)X96-NOTCH	18	7	60	96
F24X93-UB-NOTCH	16 1/2	7	60	93
F24X96-UB-NOTCH	18	7	60	96