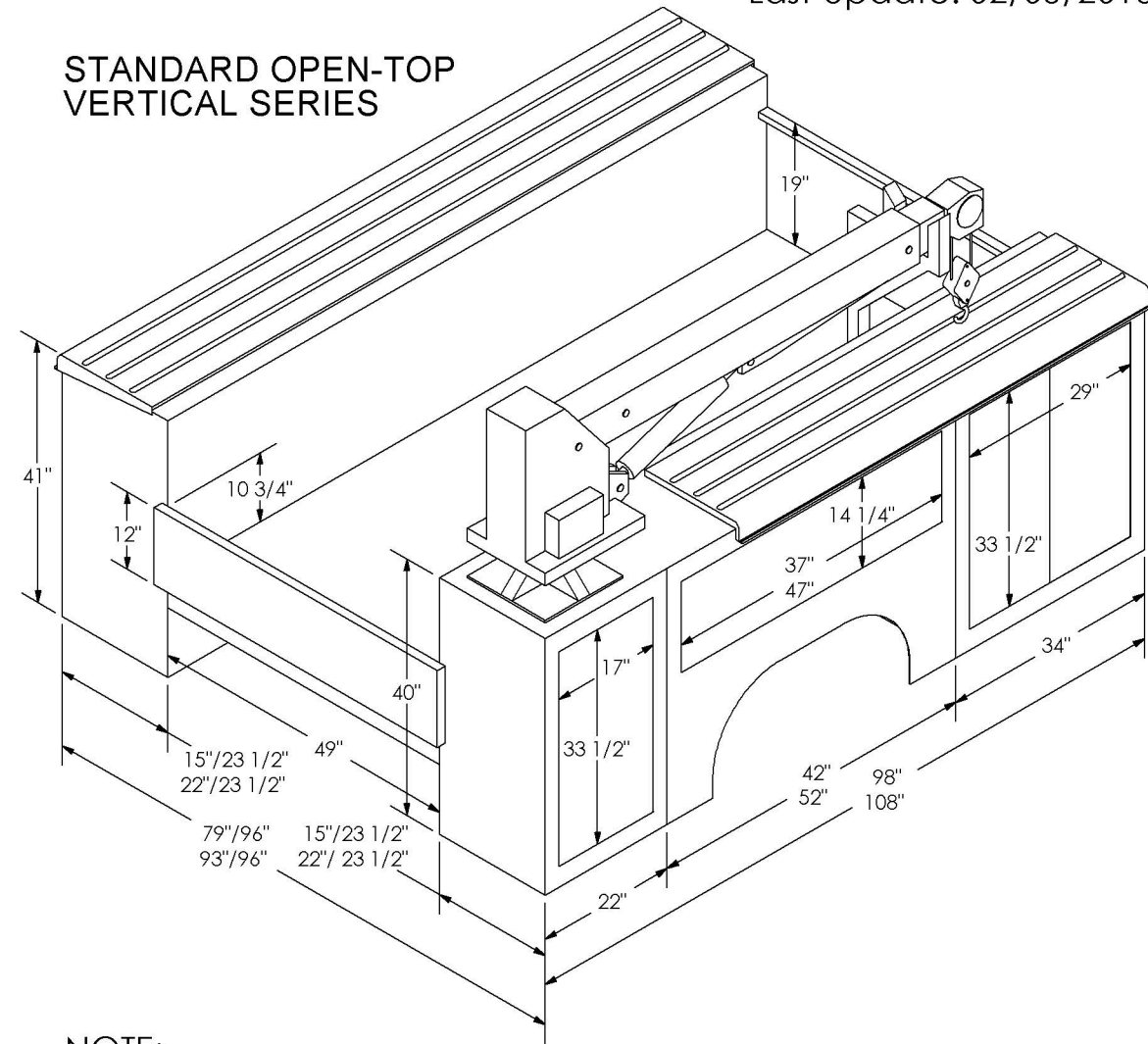


CHEVY/GMC 8-FT & 9-FT CRANEMASTER DIMENSIONS

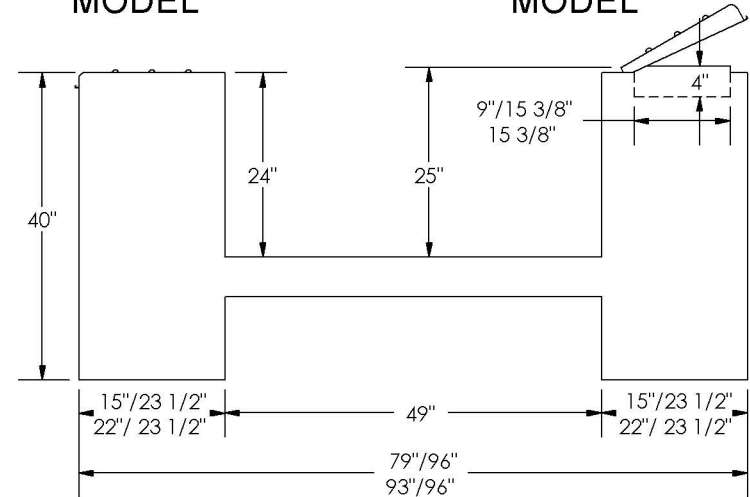
Last Update: 02/05/2015

STANDARD OPEN-TOP VERTICAL SERIES



CLOSED-TOP MODEL

OPEN-TOP MODEL



NOTE:

- 1) DOOR COMPARTMENT DIMENSIONS ARE THE CLEAR DOOR OPENING.
- 2) TOP DIMENSIONS ONLY APPLIES TO 8-FT BODIES, BOTTOM DIMENSIONS ONLY APPLIES TO 9-FT BODIES.
- 3) DIMENSIONS SHOWN WITH FORWARD SLASH ARE 56" CA SRW / DRW, AND 60" CA DRW / DRW GTY WIDE AXLE.
- 4) BODY WITH REAR PLATFORM OPTION COMES STANDARD WITH A DROP-IN TAILGATE.