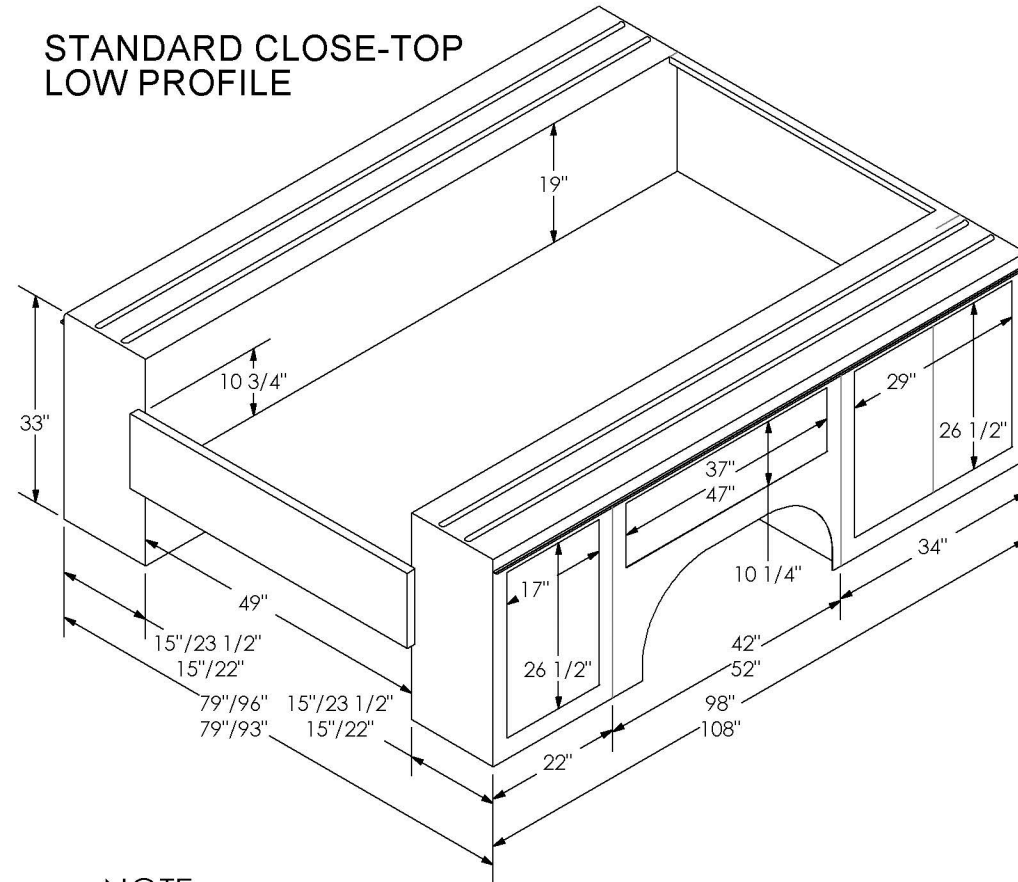


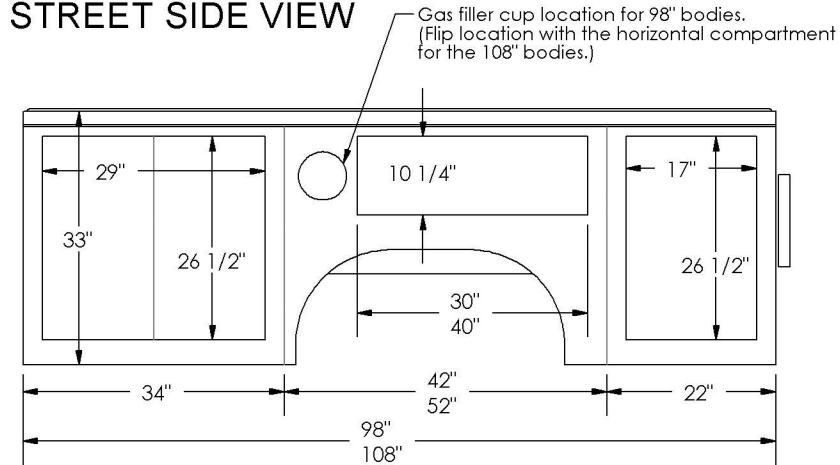
FORD 8-FT & 9-FT HAULER DIMENSIONS

Last Update: 4/16/2015

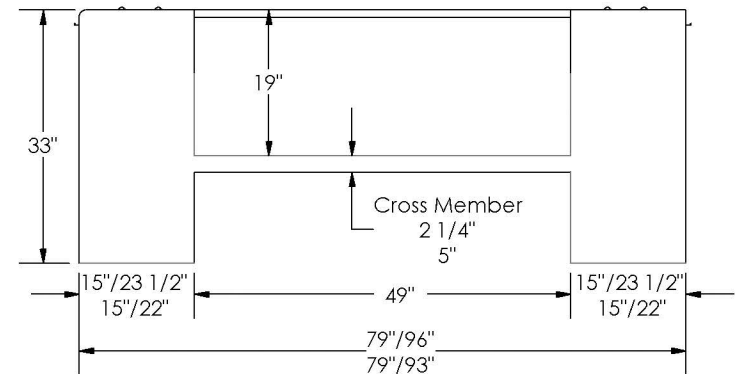
STANDARD CLOSE-TOP
LOW PROFILE



STREET SIDE VIEW



REAR VIEW



NOTE:

- 1) DOOR COMPARTMENT DIMENSIONS ARE THE CLEAR DOOR OPENING.
- 2) TOP DIMENSIONS ONLY APPLIES TO 8-FT BODIES (SRW/DRW).
- 3) BOTTOM DIMENSIONS ONLY APPLIES TO 9-FT BODIES (SRW/DRW).