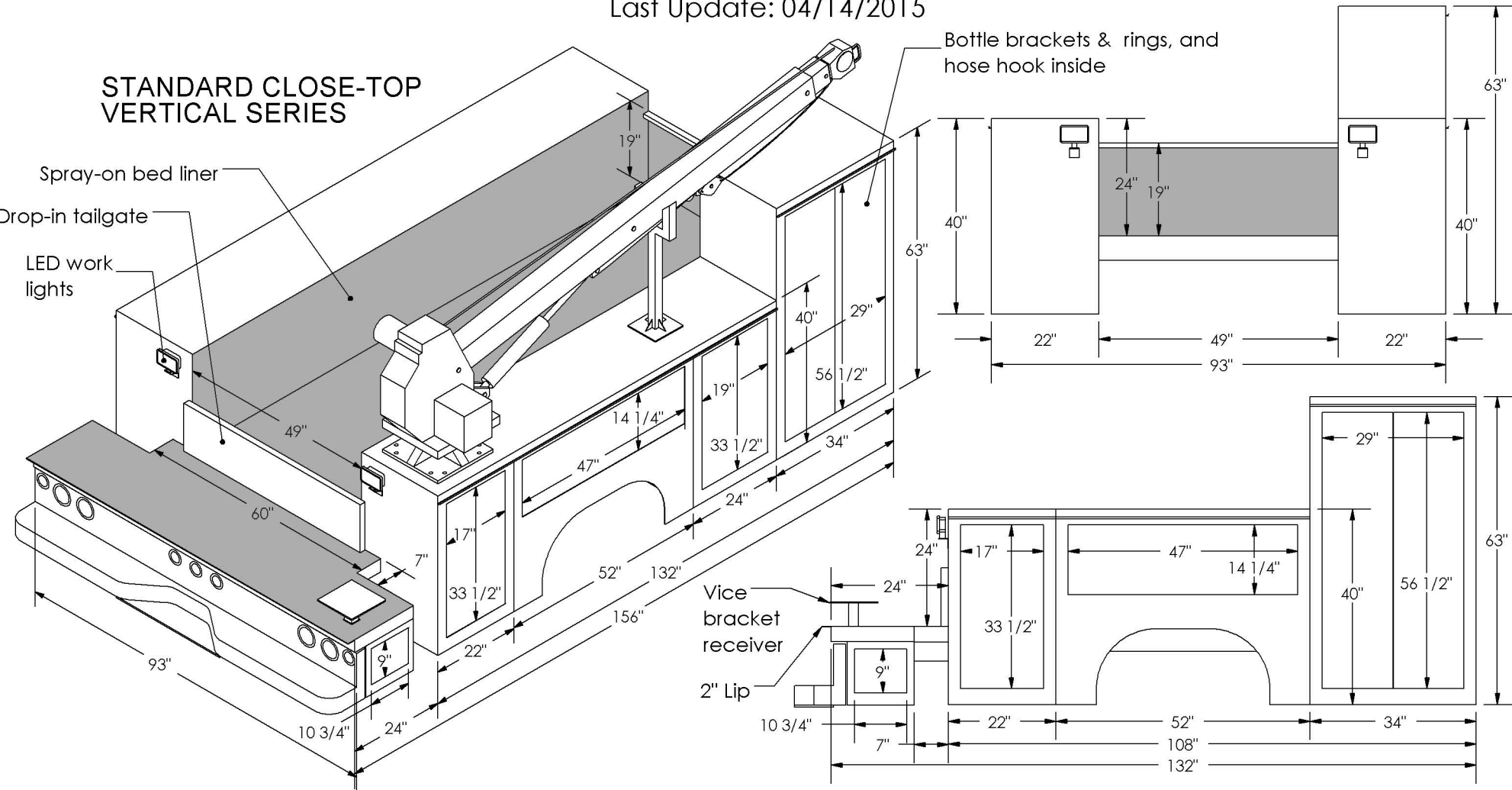


FORD 9-FT, 11-FT, & 14-FT MECHANICS MASTER DIMENSIONS

Last Update: 04/14/2015

STANDARD CLOSE-TOP VERTICAL SERIES



NOTE:

- 1) DOOR COMPARTMENT DIMENSIONS ARE THE CLEAR DOOR OPENING.
- 2) BODY WITH REAR PLATFORM OPTION COMES STANDARD WITH A DROP-IN TAILGATE
- 3) CRANE AND BOOM REST SHOWN HERE ARE FOR ILLUSTRATION ONLY. ACTUAL SIZES WILL VARY.
- 4) STABILIZER NOT SHOWN HERE BUT IT IS A STANDARD FEATURE.

