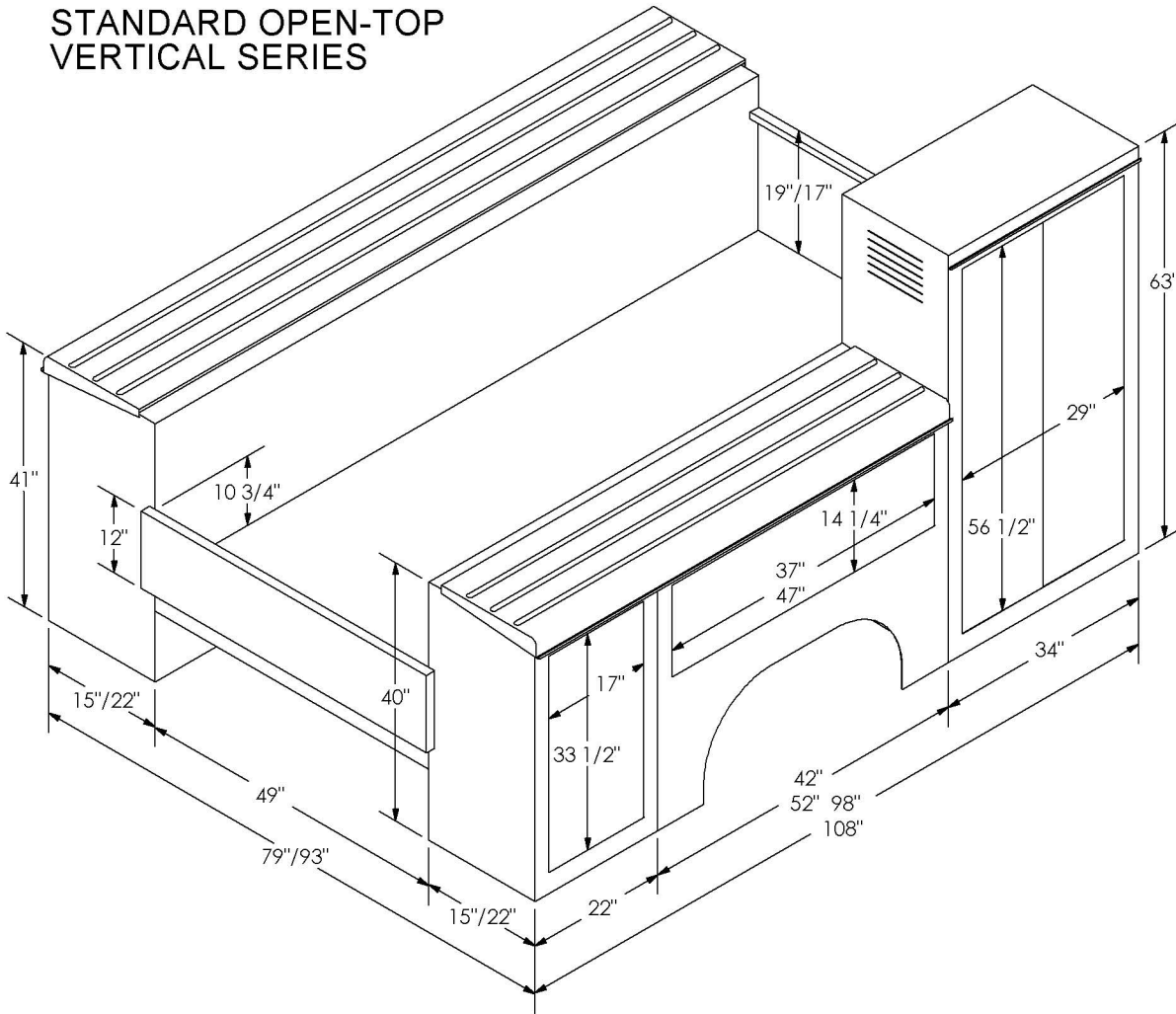
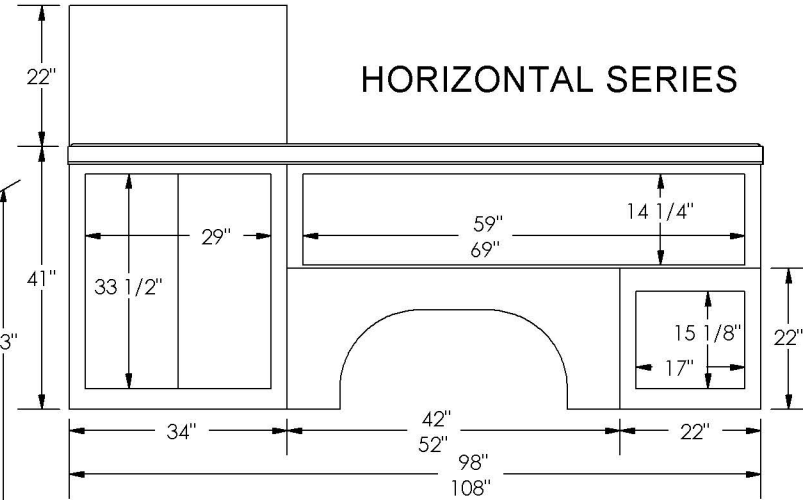


FORD 8-FT & 9-FT WELDMASTER DIMENSIONS

STANDARD OPEN-TOP
VERTICAL SERIES

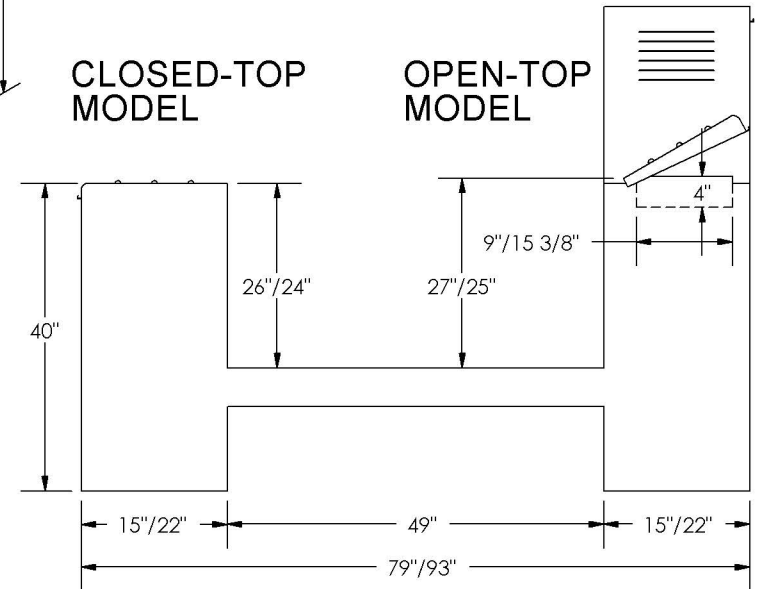


HORIZONTAL SERIES



CLOSED-TOP
MODEL

OPEN-TOP
MODEL



NOTE:

- 1) DOOR COMPARTMENT DIMENSIONS ARE THE CLEAR DOOR OPENING.
- 2) TOP DIMENSIONS ONLY APPLIES TO 8-FT BODIES, BOTTOM DIMENSIONS ONLY APPLIES TO 9-FT BODIES.
- 3) DIMENSIONS SHOWN WITH FORWARD SLASH ARE SRW / DRW.