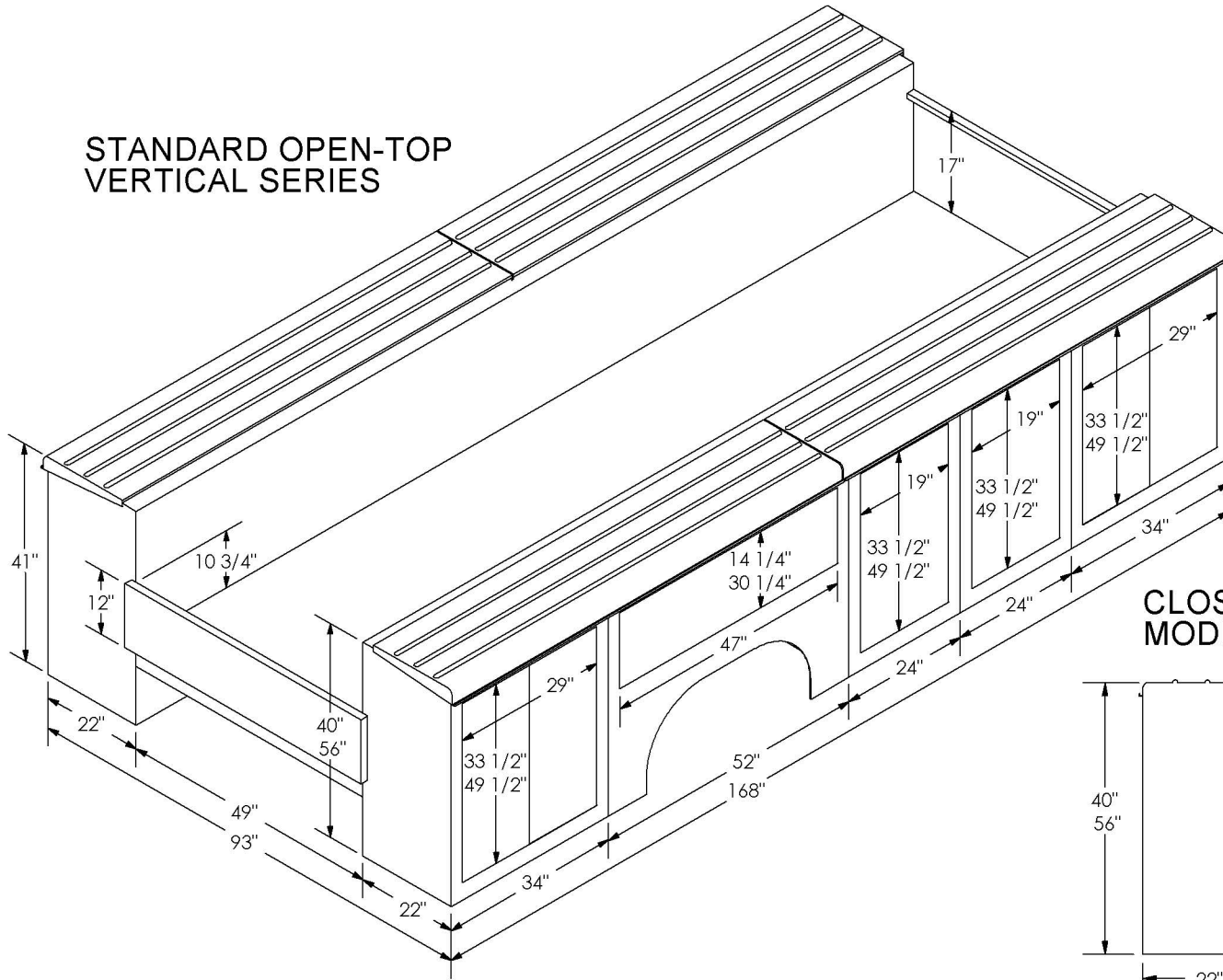


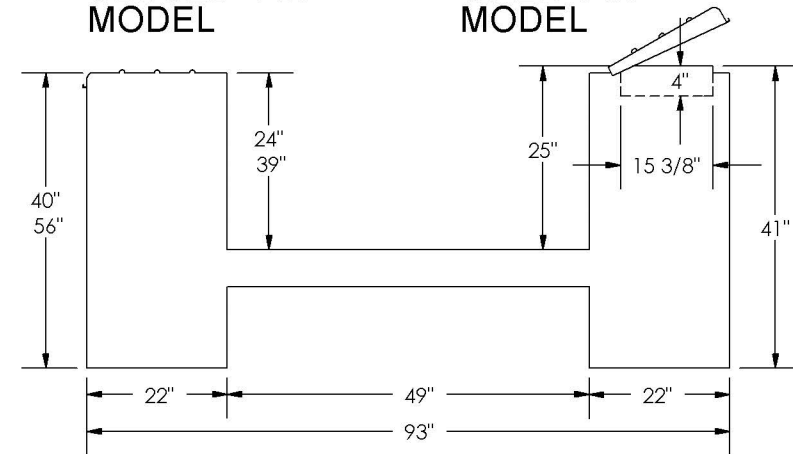
# FORD 14-FT TRADEMASTER AND MAXIMIZER DIMENSIONS

STANDARD OPEN-TOP  
VERTICAL SERIES



CLOSED-TOP  
MODEL

OPEN-TOP  
MODEL



- NOTE:
- 1) DOOR COMPARTMENT DIMENSIONS ARE THE CLEAR DOOR OPENING.
  - 2) TOP VERTICAL DIMENSIONS ARE STANDARD HEIGHT BODIES, BOTTOM DIMENSIONS ARE MAXIMIZER BODIES.
  - 3) COMPARTMENT DEPTH DIMENSIONS SHOWN ARE STANDARD.