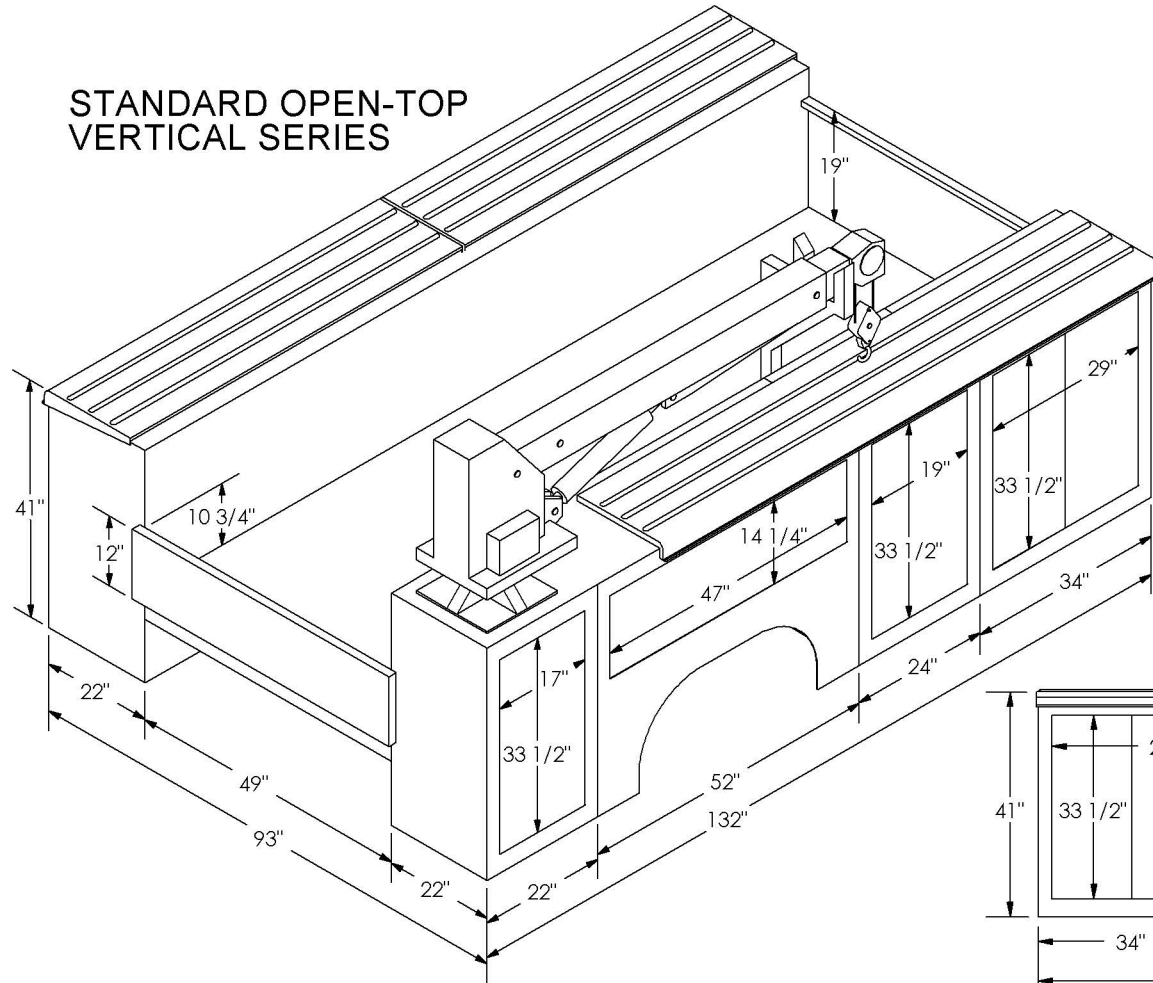


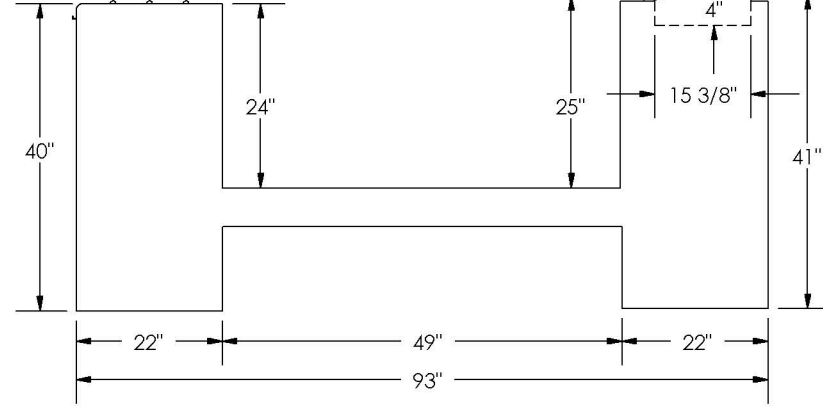
FORD 11-FT & 14-FT CRANEMASTER DIMENSIONS

Last Update: 02/05/2015

STANDARD OPEN-TOP
VERTICAL SERIES

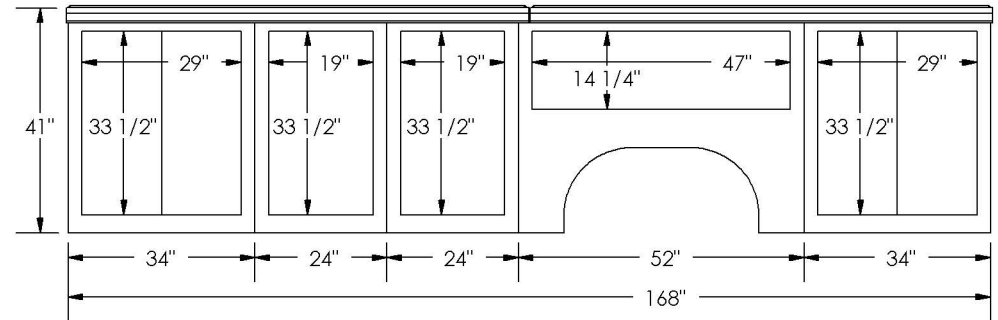


CLOSED-TOP
MODEL



OPEN-TOP
MODEL

14-FT STANDARD OPEN-TOP SERIES



NOTE:

- 1) DOOR COMPARTMENT DIMENSIONS ARE THE CLEAR DOOR OPENING.
- 2) ALL DIMENSION SHOWN ARE STANDARD.
- 3) BODY WITH REAR PLATFORM OPTION COMES STANDARD WITH A DROP-IN TAILGATE