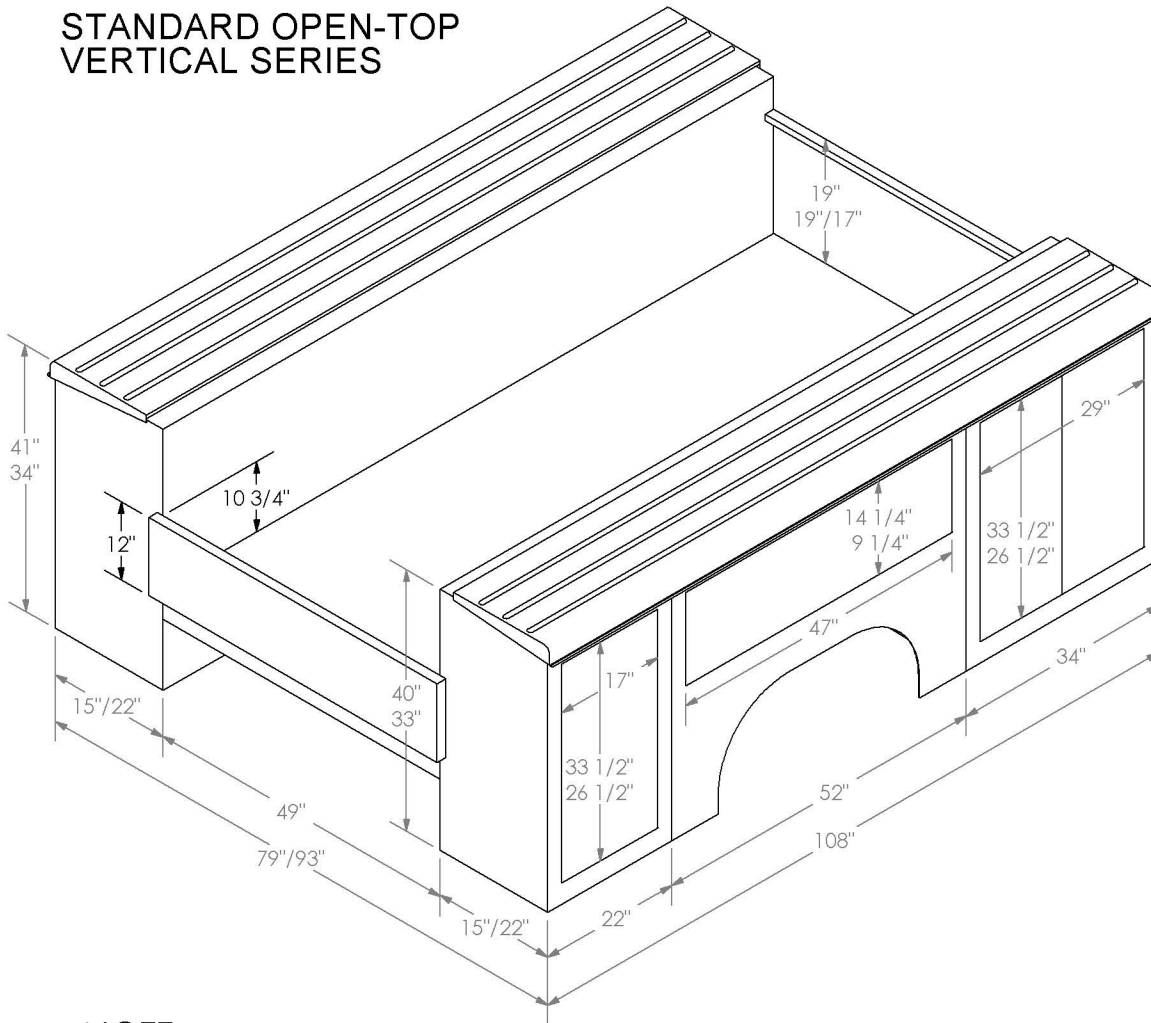


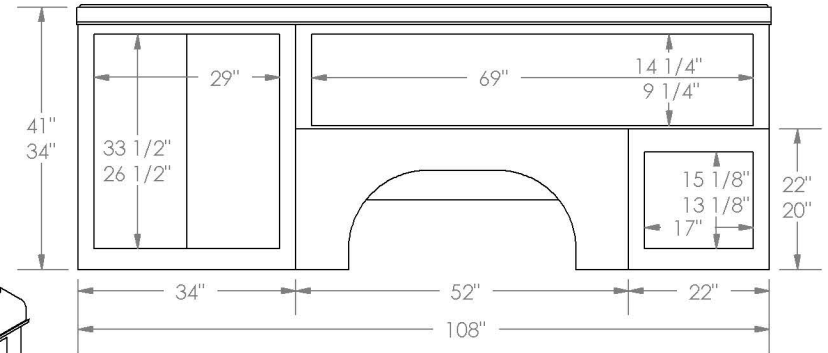
RAM 9-FT TRADEMASTER DIMENSIONS

Last Update: 07/16/2015

STANDARD OPEN-TOP VERTICAL SERIES

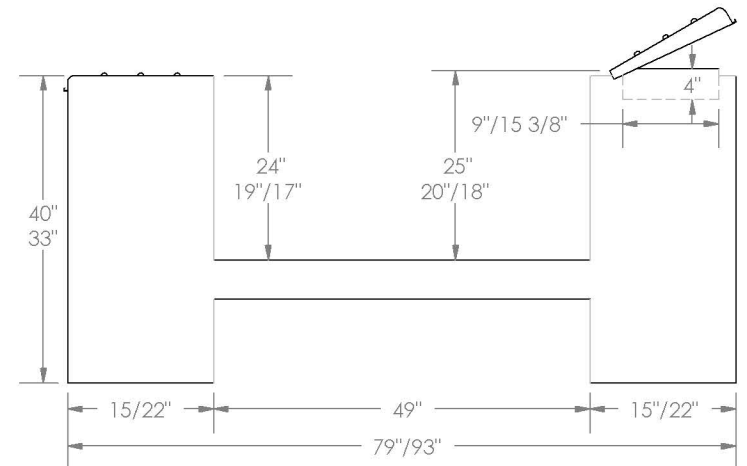


HORIZONTAL SERIES



CLOSED-TOP MODEL

OPEN-TOP MODEL



NOTE:

- 1) DOOR COMPARTMENT DIMENSIONS ARE THE CLEAR DOOR OPENING.
- 2) TOP VERTICAL DIMENSIONS ARE STANDARD HEIGHT BODIES, BOTTOM DIMENSIONS ARE LOW PROFILE BODIES.
- 3) DIMENSIONS WITH FORWARD SLASH ARE SRW / DRW.